



Fisher Engineering

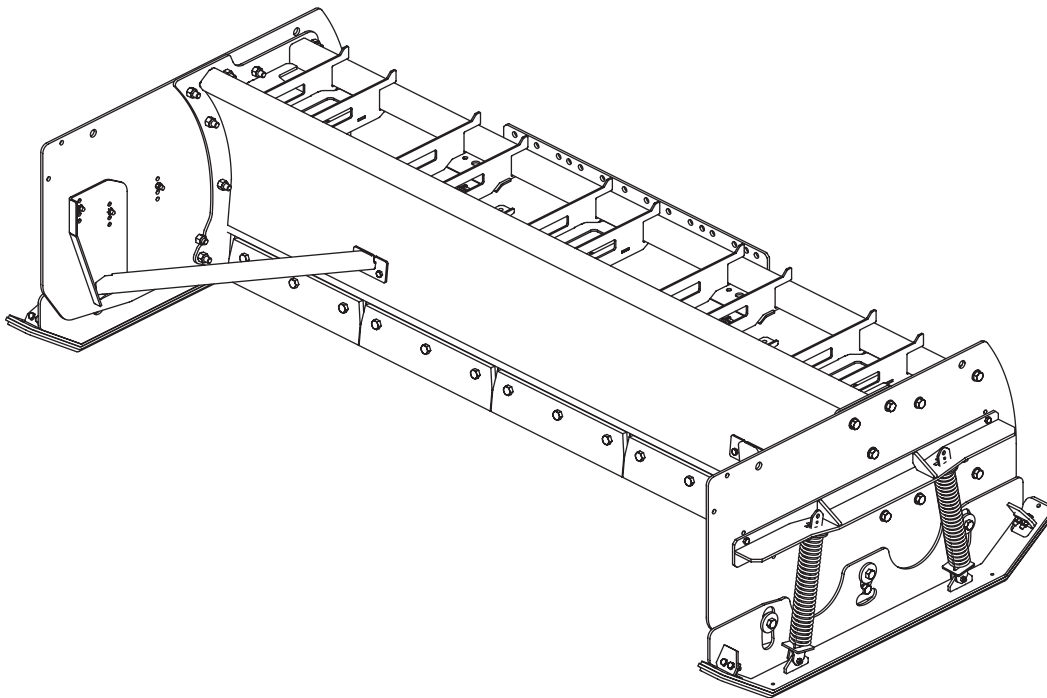
50 Gordon Drive, Rockland, Maine 04841-2139 • www.fisherplows.com

December 1, 2025
Lit. No. 31345, Rev. 06

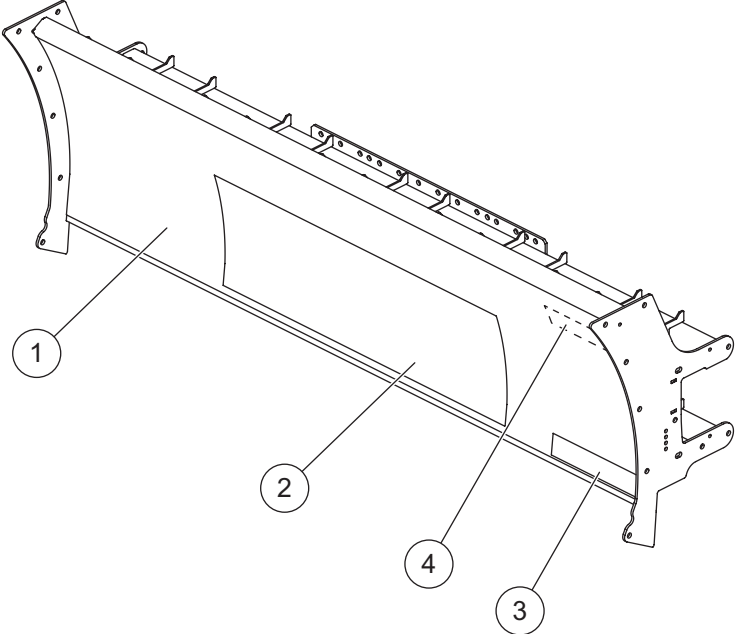
32808/-1/-2, 32012/-1/-2/-3, 32810/-1/-2,
32014/-1/-2/-3, 32812/-1/-2/-3,
32818/-1/-2/-3, 32814/-1/-2/-3,
32816/-1/-2/-3, 32612/-1/-2/-3

STORM BOXX™

STORM BOXX™ Snowplow TRACE™ Trip Edge Pusher Plow Parts List



Blade Components



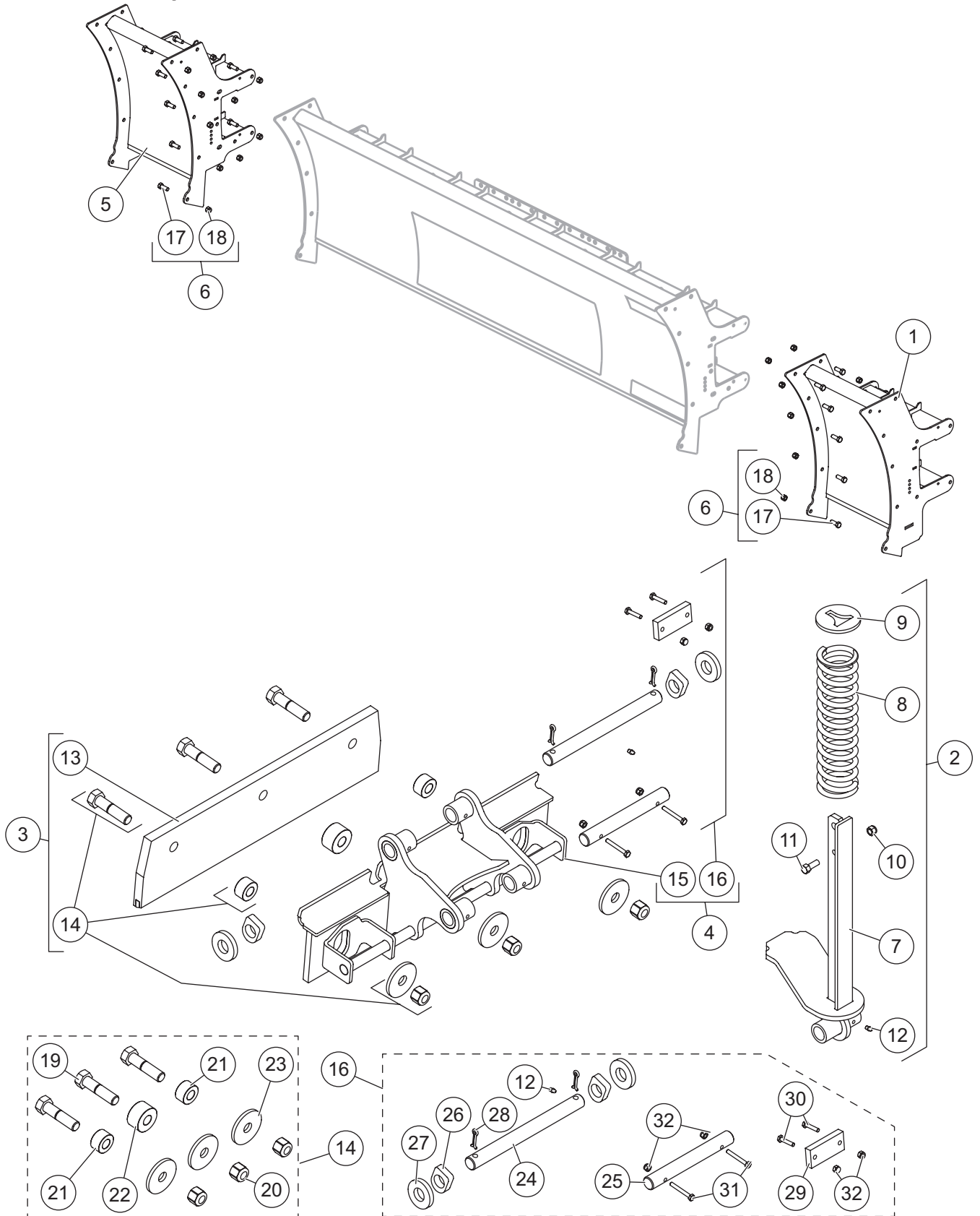
**32808/-1/-2, 32012/-1/-2/-3, 32810/-1/-2, 32014/-1/-2/-3, 32812/-1/-2/-3, 32818/-1/-2/-3,
32814/-1/-2/-3, 32816/-1/-2/-3, 32612/-1/-2/-3, 32624/-1/-2/-3, 32626/-1/-2/-3**

Blades					
Length	Height	Pusher Plow Model	Blade Kit	LH 2' Extension Kit	RH 2' Extension Kit
8'	30"	32012 / 32012-1 / 32012-2 / 32012-3	81467		
8'	36"	32808 / 32808-1 / 32808-2	81476		
10'	30"	32014 / 32014-1 / 32014-2 / 32014-3	81468		
10'	36"	32810 / 32810-1 / 32810-2	81477		
10'	42"	32818 / 32818-1 / 32818-2 / 32818-3	81494		
12'	30"	32612 / 32612-1 / 32612-2 / 32612-3	87984		
12'	42"	32812 / 32812-1 / 32812-2 / 32812-3	81478		
14'	30"	32624 / 32624-1 / 32624-2 / 32624-3	81468	81495	81496
14'	42"	32814 / 32814-1 / 32814-2 / 32814-3	81494	81959	81960
16'	30"	32626 / 32626-1 / 32626-2 / 32626-3	87984	81495	81496
16'	42"	32816 / 32816-1 / 32816-2 / 32816-3	81478	81959	81960

Blade Components							
Item	Part	Qty	Description	Item	Part	Qty	Description
81467 8' 30" Blade Kit							
1	81772	1	8' 30" Blade	3	31222	1	Label – Logo, TRACE™ Black SM
2	31214	1	Label – Logo, STORM BOXX™ SM	4	31225	1	Label – Logo, TRACE White Text
81476 8' 36" Blade Kit							
1	81769	1	8' 36" Blade	3	31222	1	Label – Logo, TRACE Black SM
2	31215	1	Label – Logo, STORM BOXX MD	4	31225	1	Label – Logo, TRACE White Text
81468 10' 30" Blade Kit							
1	81773	1	10' 30" Blade	3	31222	1	Label – Logo, TRACE Black SM
2	31214	1	Label – Logo, STORM BOXX SM	4	31225	1	Label – Logo, TRACE White Text
81477 10' 36" Blade Kit							
1	81781	1	10' 36" Blade	3	31222	1	Label – Logo, TRACE Black SM
2	31215	1	Label – Logo, STORM BOXX MD	4	31225	1	Label – Logo, TRACE White Text
81494 10' 42" Blade Kit							
1	81904	1	10' 42" Blade	3	31222	1	Label – Logo, TRACE Black SM
2	31215	1	Label – Logo, STORM BOXX MD	4	31225	1	Label – Logo, TRACE White Text
87984 12' 30" Blade Kit							
1	81707	1	12' 30" Blade	3	31222	1	Label – Logo, TRACE Black SM
2	31214	1	Label – Logo, STORM BOXX SM	4	31225	1	Label – Logo, TRACE White Text
81478 12' 42" Blade Kit							
1	81782	1	12' 42" Blade	3	31223	1	Label – Logo, TRACE Black LG
2	31216	1	Label – Logo, STORM BOXX LG	4	31225	1	Label – Logo, TRACE White Text
Blade Accessories							
ns*	85733	1	8' Back Drag Edge Kit	ns*	85735	1	12' Back Drag Edge Kit
ns*	85734	1	10' Back Drag Edge Kit				
G = Grade				ns = not shown			

* Accessory only.

Extension Components



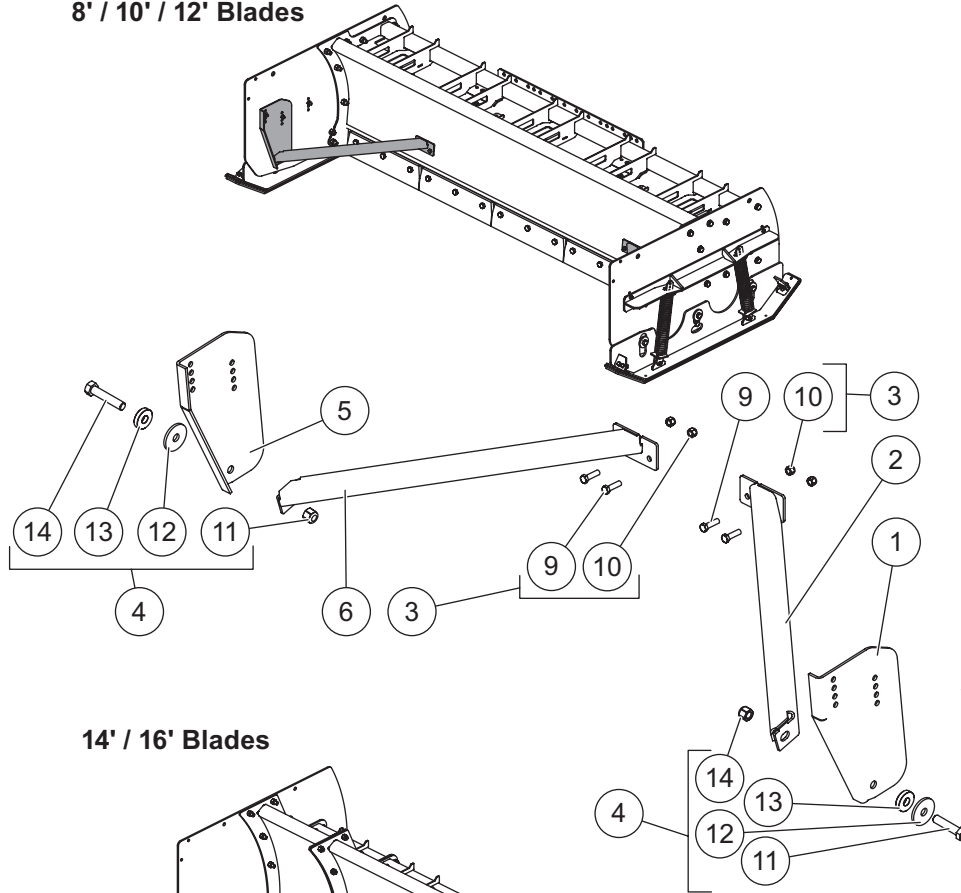
**32808/-1/-2, 32012/-1/-2/-3, 32810/-1/-2, 32014/-1/-2/-3, 32812/-1/-2/-3, 32818/-1/-2/-3,
32814/-1/-2/-3, 32816/-1/-2/-3, 32612/-1/-2/-3, 32624/-1/-2/-3, 32626/-1/-2/-3**

Blades					
Length	Height	Pusher Plow Model	Blade Kit	LH 2' Extension Kit	RH 2' Extension Kit
14'	30"	32624 / 32624-1 / 32624-2 / 32624-3	81468	81495	81496
14'	42"	32814 / 32814-1 / 32814-2 / 32814-3	81494	81959	81960
16'	30"	32626 / 32626-1 / 32626-2 / 32626-3	87984	81495	81496
16'	42"	32816 / 32816-1 / 32816-2 / 32816-3	81478	81959	81960

Extension Components							
Item	Part	Qty	Description	Item	Part	Qty	Description
	81495	1	2' LH Extension Kit, 30"		81959	1	2' LH Extension Kit, 42"
	81496	1	2' RH Extension Kit, 30"		81960	1	2' RH Extension Kit, 42"
81495 LH 2' Extension Kit, 30"							
1		1	2' LH Extension	4	81459	1	Trip Edge Kit
2	79986	1	Spring Bar Kit	5	79937	1	Bolt Bag – 2' Extension
3	79966	1	Cutting Edge Kit				
81496 RH 2' Extension Kit, 30"							
2	79986	1	Spring Bar Kit	5	79937	1	Bolt Bag – 2' Extension
3	79966	1	Cutting Edge Kit	6		1	2' RH Extension
4	81459	1	Trip Edge Kit				
81959 LH 2' Extension Kit, 42"							
1		1	2' LH Extension	4	81459	1	Trip Edge Kit
2	79986	1	Spring Bar Kit	5	79937	1	Bolt Bag – 2' Extension
3	79966	1	Cutting Edge Kit				
81960 RH 2' Extension Kit, 42"							
2	79986	1	Spring Bar Kit	5	79937	1	Bolt Bag – 2' Extension
3	79966	1	Cutting Edge Kit	6		1	2' RH Extension
4	81459	1	Trip Edge Kit				
Item 2 79986[‡] Spring Bar Kit							
7	89993	1	Spring Bar	10		1	3/8-16 Hex Locknut GB
8	89559	1	Trip Spring – 172 lb/in	11		1	3/8-16 x 1 Hex Cap Screw G5
9	89992	1	Spring Plate	12		1	Grease Fitting
Item 3 79966[†] Cutting Edge Kit							
13	87999	1	Cutting Edge with Inserts	14	79967	1	Bolt Bag – Cutting Edge
Item 4 81459 Trip Edge Kit							
15	89892	1	Base Angle	16	79965	1	Bolt Bag – Trip Edge
Item 6 79937 Bolt Bag, 2' Extension							
17		10	3/4-10 x 2 Hex Cap Screw G5	18		10	3/4-10 Hex Locknut GB
Item 14 79967 Bolt Bag – Cutting Edge							
19		3	3/4-10 x 3 Hex Cap Screw G5	22	86998	1	Bushing, Edge – Large
20		3	3/4-10 Hex Locknut GB, All Metal	23	86999	3	Stopper Plate
21	86997	2	Bushing, Edge – Small				
Item 16 79965 Bolt Bag – Trip Edge							
12		1	Grease Fitting	28		2	1/4 x 1-1/2 Cotter Pin
24	86989	1	1 x 11-1/8 Rod, Lower	29	89900	1	Spring Cartridge Guide
25	89986	1	Pivot Pin, Lower	30		2	1/4-20 x 1-1/4 Hex Cap Screw G5
26	89985	2	Bearing Block	31		2	1/4-20 x 2 Hex Cap Screw G8
27	86991	2	Flat Washer Special	32		4	1/4-20 Hex Locknut GB
G = Grade							

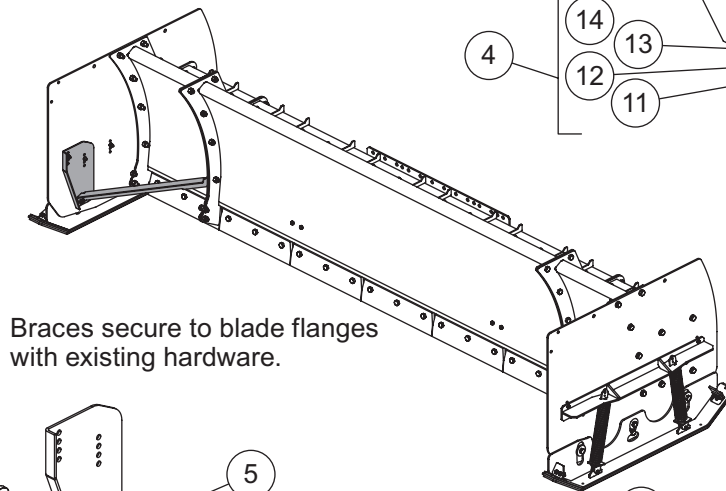
Side Plate Brace Components

8' / 10' / 12' Blades

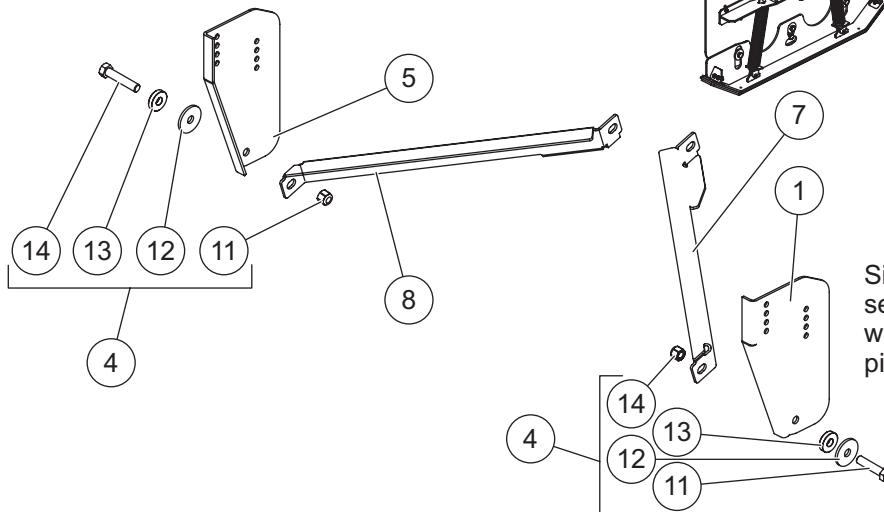


Side plate brackets are secured to side plates with spring bracket and pivot shoe hardware.

14' / 16' Blades



Braces secure to blade flanges with existing hardware.



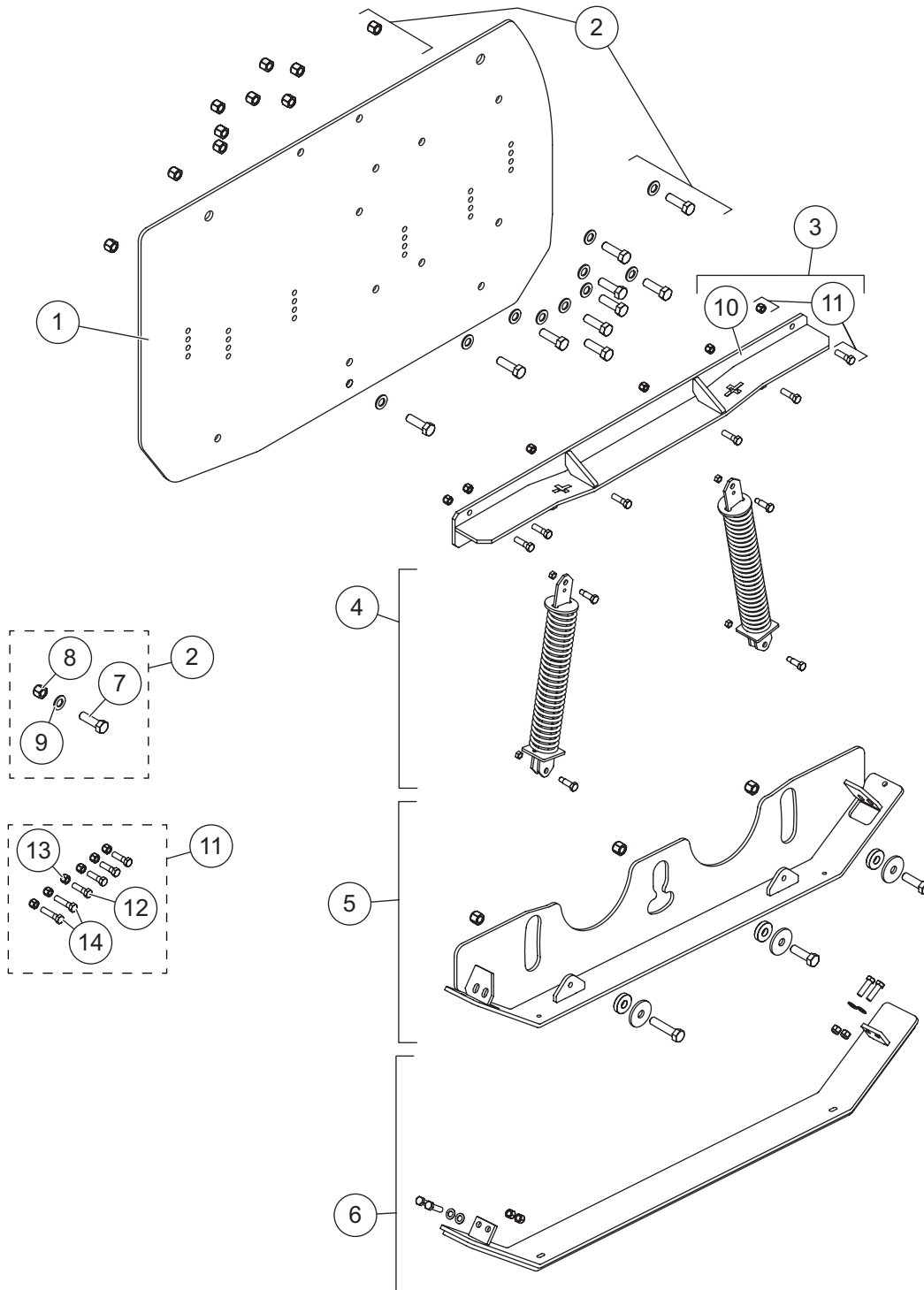
Side plate brackets are secured to side plates with spring bracket and pivot shoe hardware.

**32808/-1/-2, 32012/-1/-2/-3, 32810/-1/-2, 32014/-1/-2/-3, 32812/-1/-2/-3, 32818/-1/-2/-3,
32814/-1/-2/-3, 32816/-1/-2/-3, 32612/-1/-2/-3, 32624/-1/-2/-3, 32626/-1/-2/-3**

Side Plate Brace Components				
Length	Height	Pusher Plow Model	LH Brace Kit	RH Brace Kit
8'	30"	32012 / 32012-1 / 32012-2 / 32012-3	87022	87021
8'	36"	32808 / 32808-1 / 32808-2	87022	87021
10'	30"	32014 / 32014-1 / 32014-2 / 32014-3	87022	87021
10'	36"	32810 / 32810-1 / 32810-2	87022	87021
10'	42"	32818 / 32818-1 / 32818-2 / 32818-3	87022	87021
12'	30"	32612 / 32612-1 / 32612-2 / 32612-3	87022	87021
12'	42"	32812 / 32812-1 / 32812-2 / 32812-3	87022	87021
14'	30"	32624 / 32624-1 / 32624-2 / 32624-3	87027	87026
14'	42"	32814 / 32814-1 / 32814-2 / 32814-3	87027	87026
16'	30"	32626 / 32626-1 / 32626-2 / 32626-3	87027	87026
16'	42"	32816 / 32816-1 / 32816-2 / 32816-3	87027	87026

Side Plate Brace Components							
Item	Part	Qty	Description	Item	Part	Qty	Description
87022 8' / 10' / 12' LH Brace Kit							
1	89914	1	LH Side Plate Bracket	3	87025	1	Bolt Bag, Brace Kit
2	85977	1	LH Support Brace	4	87383	1	Bolt Bag – Pivot Shoe Kit, Front
87021 8' / 10' / 12' RH Brace Kit							
3	87025	1	Bolt Bag, Brace Kit	5	89913	1	RH Side Plate Bracket
4	87383	1	Bolt Bag – Pivot Shoe Kit, Front	6	85978	1	RH Support Brace
87027 14' / 16' LH Brace Kit							
1	89914	1	LH Side Plate Bracket	7	85974	1	LH Support Brace
4	87383	1	Bolt Bag – Pivot Shoe Kit, Front				
87026 14' / 16' RH Brace Kit							
4	87383	1	Bolt Bag – Pivot Shoe Kit, Front	8	85976	1	RH Support Brace
5	89913	1	RH Side Plate Bracket				
Item 3 87025 Bolt Bag, Brace Kit							
9		2	1/2-13 x 1-3/4 Hex Cap Screw G5	10		2	1/2-13 Hex Locknut GB
Item 4 87383 Bolt Bag, Pivot Shoe Kit, Front							
11		1	3/4-10 Hex Locknut GB	13	89446	1	Bushing, Spacer 2 x 0.78125 x 0.44
12	86999	1	Stopper Plate	14		1	3/4-10 x 3 Hex Cap Screw G5
G = Grade							

Side Plate Components

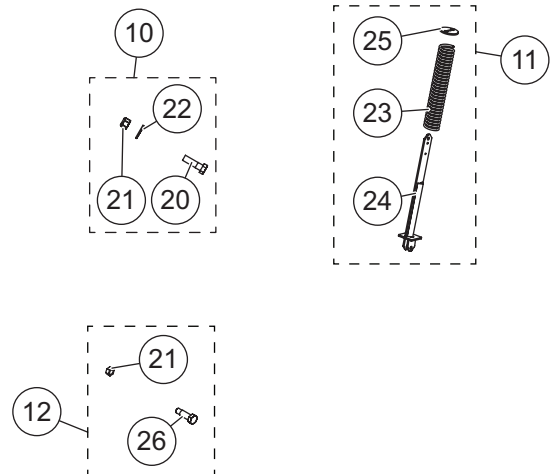
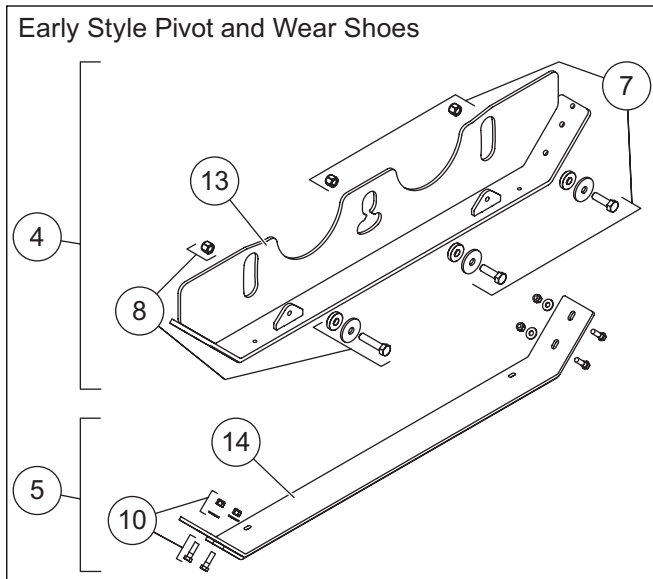
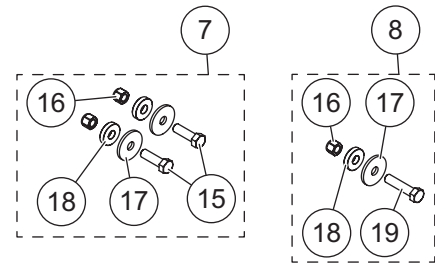
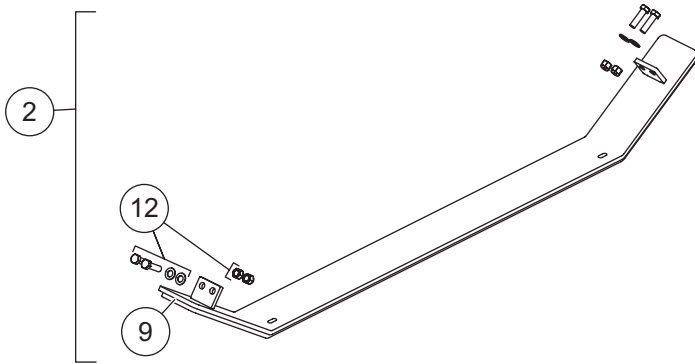
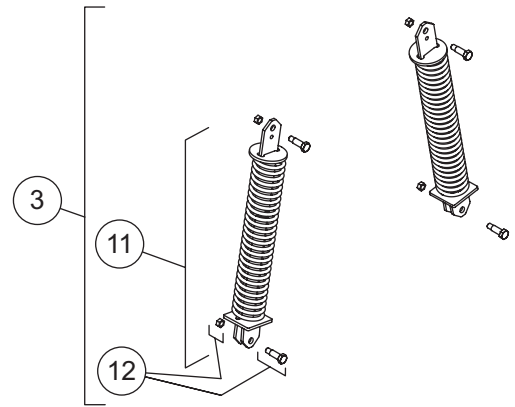
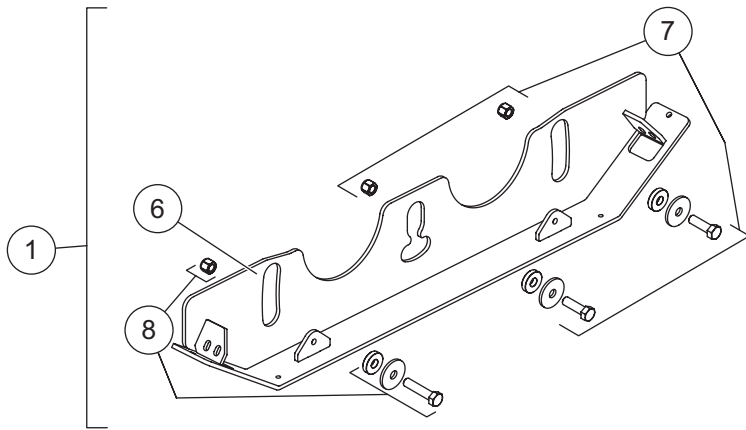


**32808/-1/-2, 32012/-1/-2/-3, 32810/-1/-2, 32014/-1/-2/-3, 32812/-1/-2/-3, 32818/-1/-2/-3,
32814/-1/-2/-3, 32816/-1/-2/-3, 32612/-1/-2/-3, 32624/-1/-2/-3, 32626/-1/-2/-3**

Side Plate Components				
Plow	Side Plate Kit	Description	Side Plate Part	Label Part
32012/-1/-2/-3, 32014/-1/-2/-3, 32612/-1/-2/-3, 32624/-1/-2/-3, 32626/-1/-2/-3	81503	Side Plate Kit, 30" – DS	81785	31046
	81592	Side Plate Kit, 30" – PS	81785	31046
32808/-1/-2, 32810/-1/-2	81506	Side Plate Kit, 36" – DS	81788	31052
	81595	Side Plate Kit, 36" – PS	81788	31052
32818/-1/-2/-3, 32812/-1/-2/-3, 32814/-1/-2/-3, 32816/-1/-2/-3	81509	Side Plate Kit, 42" – DS	81793	31053
	81597	Side Plate Kit, 42" – PS	81793	31053

81503/81506/81509/81592/81595/81597 Side Plate Kits							
Item	Part	Qty	Description	Item	Part	Qty	Description
1		1	Side Plate	6		1	Wear Shoe Kit
2	81522	1	Bolt Bag – Side Plate	ns	31046	1	Label – Logo, FISHER® SM
3	79957	1	Spring Bracket Kit	ns	31052	1	Label – Logo, FISHER® MD
4	79962	2	Spring Kit with Bolts	ns	31053	1	Label – Logo, FISHER® LG
5		1	Pivot Shoe Kit				
Item 2				81522 Bolt Bag – Side Plate			
		10	3/4-10 x 2-1/2 Hex Cap Screw G5	9		10	3/4 Flat Washer, Type A Narrow
		10	3/4-10 Hex Locknut GB				
Item 3				79957 Spring Bracket Kit			
10	83237	1	Side Spring Bracket	11	79958	1	Bolt Bag – Spring Bracket Kit
Item 11				79958 Bolt Bag – Spring Bracket Kit			
12		4	1/2-13 x 1-3/4 Hex Cap Screw G5	14		2	1/2-13 x 2 Hex Cap Screw G5
13		6	1/2-13 Hex Locknut GB				
ns = not shown				G = Grade			

Pivot Shoe Components

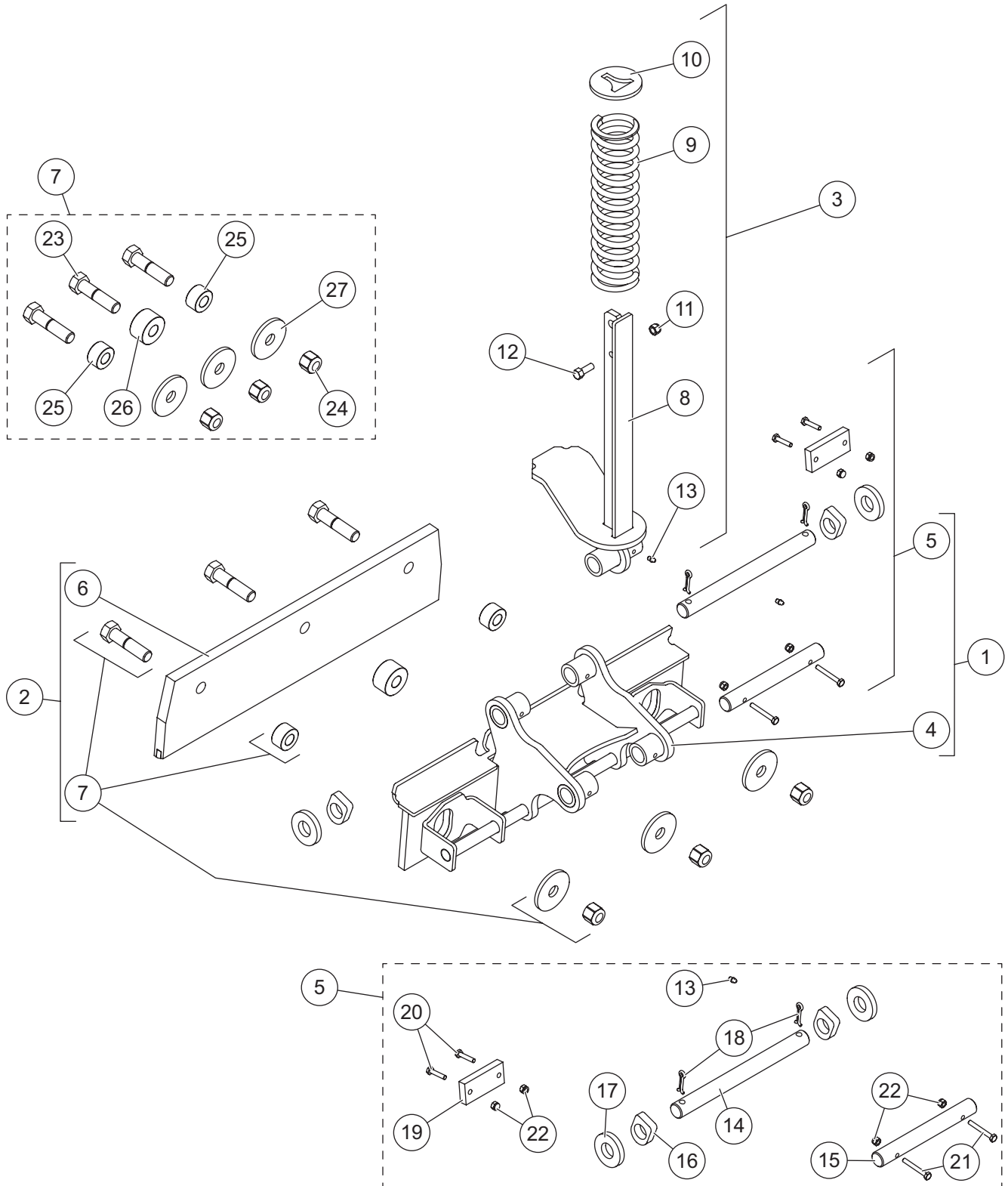


**32808/-1/-2, 32012/-1/-2/-3, 32810/-1/-2, 32014/-1/-2/-3, 32812/-1/-2/-3, 32818/-1/-2/-3,
32814/-1/-2/-3, 32816/-1/-2/-3, 32612/-1/-2/-3, 32624/-1/-2/-3, 32626/-1/-2/-3**

Pivot Shoe Kits							
Item	Part	Qty	Description	Item	Part	Qty	Description
1	87987	1	Pivot Shoe Kit (Current Style)	4	79968	1	Pivot Shoe Kit (Early Style)
2	87988	1	Wear Shoe Kit (Current Style)	5	79823	1	Wear Shoe Kit (Early Style)
3	79962	2	Spring Kit with Bolts				
Item 1				87987 Pivot Shoe Kit (Current Style)			
6	86021	1	Pivot Shoe (Current Style)	8	87383	1	Bolt Bag – Pivot Shoe Kit, Front
7	79971	1	Bolt Bag – Pivot Shoe Kit				
Item 2				87988 Wear Shoe Kit (Current Style)			
9	86024	1	Wear Shoe (Current Style)	10	79824	1	Bolt Bag – Wear Shoe Kit
Item 3				79962 Spring Kit with Bolts			
11	81700	1	Spring Assembly Kit	12	79963	2	Bolt Bag – Spring Kit
Item 4				79968 Pivot Shoe Kit (Early Style)			
7	79971	1	Bolt Bag – Pivot Shoe Kit	13	89442	1	Pivot Shoe (Early Style)
8	87383	1	Bolt Bag – Pivot Shoe Kit, Front				
Item 5				79823 Wear Shoe Kit (Early Style)			
10	79824	1	Bolt Bag – Wear Shoe Kit	14	86974	1	Wear Shoe (Early Style)
Item 7				79971 Bolt Bag – Pivot Shoe Kit			
15		2	3/4-10 x 2-1/2 Hex Cap Screw G5	17	86999	2	Stopper Plate
16		2	3/4-10 Hex Locknut GB	18	89446	2	Bushing, Spacer 2 x 0.78125 x 0.44
Item 8				87383 Bolt Bag – Pivot Shoe Kit, Front			
16		1	3/4-10 Hex Locknut GB	18	89446	1	Bushing, Spacer 2 x 0.78125 x 0.44
17	86999	1	Stopper Plate	19		1	3/4-10 x 3 Hex Cap Screw G5
Item 10				79824 Bolt Bag – Wear Shoe Kit			
20		4	1/2-13 x 1-3/4 Hex Cap Screw G5	22		4	1/2 Flat Washer, Type B Regular
21		4	1/2-13 Hex Locknut GB				
Item 11				81700 Spring Assembly Kit			
23	50572	1	Trip Spring – 42.5 lb/in	25	20191	1	Disc, Spring – Uncoated
24	81751	1	Spring Bar – Blk				
Item 12				79963 Bolt Bag – Spring Kit			
21		1	1/2-13 Hex Locknut GB	26		1	1/2-13 x 1-3/4 Hex Cap Screw G5
Side Plate Accessory							
ns*	89940	1	Low Wear Shoe Kit				
ns = not shown				G = Grade			

* Accessory only.

TRACE™ Trip Edge Components



32808/-1/-2, 32012/-1/-2/-3, 32810/-1/-2, 32014/-1/-2/-3, 32812/-1/-2/-3, 32818/-1/-2/-3, 32814/-1/-2/-3, 32816/-1/-2/-3, 32612/-1/-2/-3, 32624/-1/-2/-3, 32626/-1/-2/-3

Length	Height	Pusher Plow	TRACE Trip Edge
		Model	Qty
8'	30"	32012 / -1 / -2 / -3	4
8'	36"	32808 / -1 / -2	4
10'	30"	32014 / -1 / -2 / -3	5
10'	36"	32810 / -1 / -2	5
10'	42"	32818 / -1 / -2 / -3	5
12'	30"	32612 / -1 / -2 / -3	6
12'	42"	32812 / -1 / -2 / -3	6
14'	30"	32624 / -1 / -2 / -3	7
14'	42"	32814 / -1 / -2 / -3	7
16'	30"	32626 / -1 / -2 / -3	8
16'	42"	32816 / -1 / -2 / -3	8

TRACE Trip Edge Components							
Item	Part	Qty	Description	Item	Part	Qty	Description
1	79964*	1	Trip Edge Kit	3	79986‡	1	Spring Bar Kit
2	79966†	1	Cutting Edge Kit				
Item 1				79964* Trip Edge Kit			
4	89984	1	Base Angle	5	79965	1	Bolt Bag – Trip Edge
Item 2				79966† Cutting Edge Kit			
6	87999	1	Cutting Edge with Inserts	7	79967	1	Bolt Bag – Cutting Edge
Item 3				79986‡ Spring Bar Kit			
8	89993	1	Spring Bar	11		1	3/8-16 Hex Locknut GB
9	89559	1	Trip Spring – 172 lb/in	12		1	3/8-16 x 1 Hex Cap Screw G5
10	89992	1	Spring Plate	13		1	Grease Fitting
Item 5				79965 Bolt Bag – Trip Edge			
13		1	Grease Fitting	18		2	1/4 x 1-1/2 Cotter Pin
14	86989	1	1 x 11-1/8 Rod, Lower	19	89900	1	Spring Cartridge Guide
15	89986	1	Pivot Pin, Lower	20		2	1/4-20 x 1-1/4 Hex Cap Screw G5
16	89985	2	Bearing Block	21		2	1/4-20 x 2 Hex Cap Screw G8
17	86991	2	Flat Washer Special	22		4	1/4-20 Hex Locknut GB
Item 7				79967 Bolt Bag – Cutting Edge			
23		3	3/4-10 x 3 Hex Cap Screw G5	26	86998	1	Bushing, Edge – Large
24		3	3/4-10 Hex Locknut GB, All Metal	27	86999	3	Stopper Plate
25	86997	2	Bushing, Edge – Small				
G = Grade							

* Single trip edge per kit.

† Single cutting edge per kit.

‡ Single spring bar per kit.



Fisher Engineering
50 Gordon Drive
Rockland, ME 04841-2139
www.fisherplows.com

A DIVISION OF FISHER, LLC

Copyright © 2025 Douglas Dynamics, LLC. All rights reserved. This material may not be reproduced or copied, in whole or in part, in any printed, mechanical, electronic, film, or other distribution and storage media, without the written consent of Fisher Engineering. Authorization to photocopy items for internal or personal use by Fisher Engineering outlets or snowplow owner is granted.

Fisher Engineering reserves the right under its product improvement policy to change construction or design details and furnish equipment when so altered without reference to illustrations or specifications used. Fisher Engineering or the vehicle manufacturer may require or recommend optional equipment for snow removal. Do not exceed vehicle ratings with a snowplow. Fisher Engineering offers a limited warranty for all snowplows and accessories. See separately printed page for this important information. The following are registered (®) or unregistered (™) trademarks of Douglas Dynamics, LLC: FISHER®, STORM BOX™, TRACE™.

Printed in U.S.A.