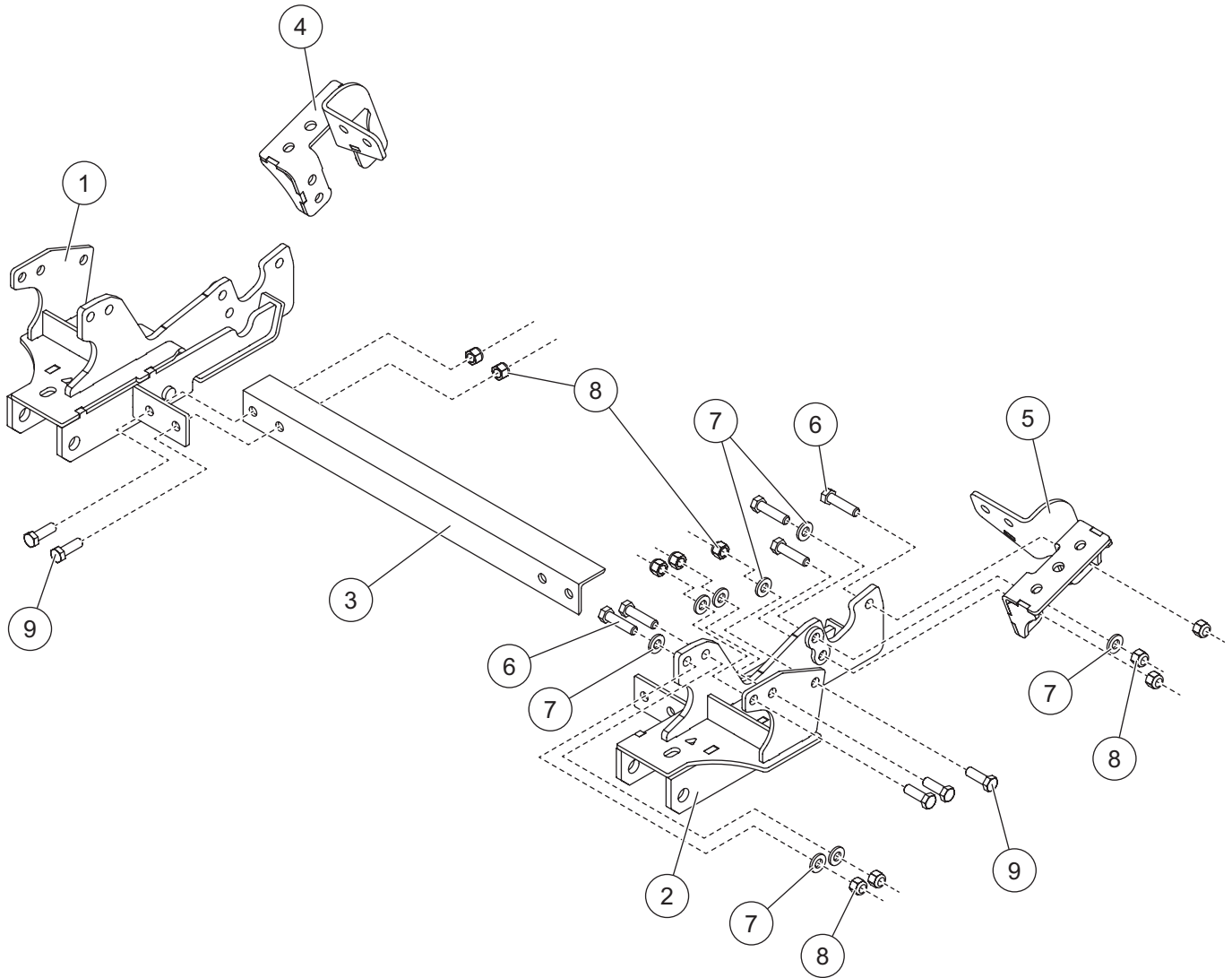


**Mount Kit Ford Super Duty F-250/350/450/550 2017-__/
 Ford Super Duty F-350/450 Diesel Dual Rear Wheel Pickup 2020-__ 31271-1**

September 1, 2025
 Lit. No. 32701, Rev. 01

PARTS LIST

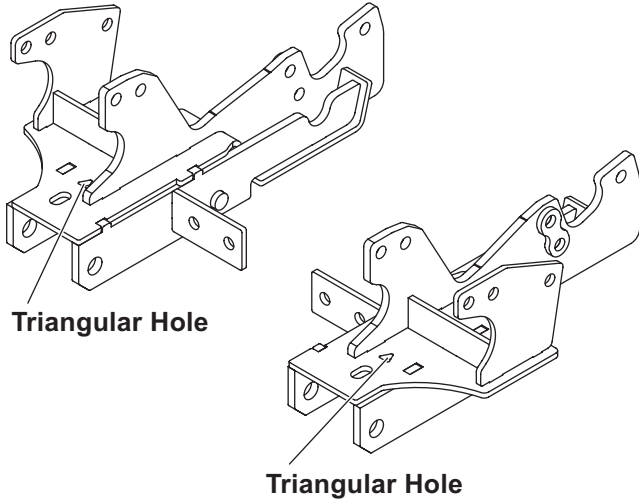


31271-1 Mount Kit*							
Item	Part	Qty	Description	Item	Part	Qty	Description
1	32718	1	Mount – PS	4	70528	1	Rear Bracket – PS
2	32717	1	Mount – DS	5	70529	1	Rear Bracket – DS
3	67696	1	Cross Bar	ns	70531	1	Bolt Bag
70531 Bolt Bag							
6		10	1/2-13 x 2 Hex Cap Screw G5	8		20	1/2-13 Hex Locknut GB
7		16	1/2 Hardened Flat Washer Type 1	9		10	1/2-13 x 1-1/2 Hex Cap Screw G5
ns = not shown				G = Grade			

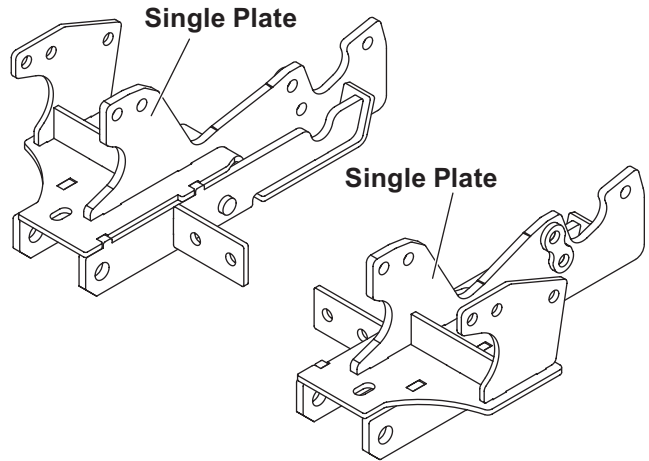
*To identify service parts for your particular application, see Mount Comparison on the following page.

MOUNT COMPARISON

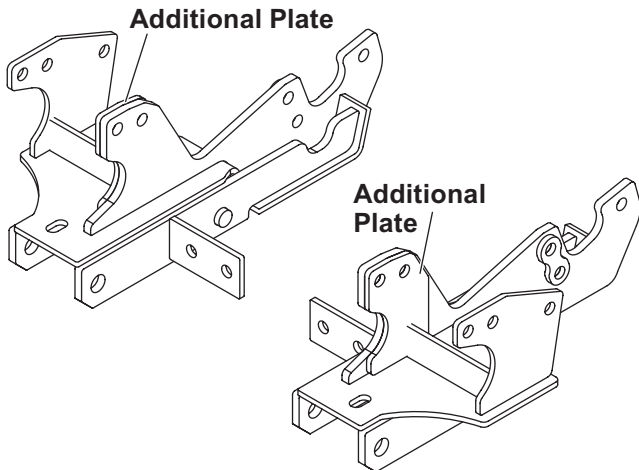
Mount Kit #31271-1



Mount Kit #31271



Mount Kit #31270



Copyright © 2025 Douglas Dynamics, LLC. All rights reserved. This material may not be used, reproduced, or copied in any manner, in whole or in part, in any printed, mechanical, electronic, film, or other distribution and storage media, nor analyzed or manipulated in any manner for the purpose of training artificial intelligence technologies or systems, without the written consent of the company. In accordance with Article 4(3) of the Digital Single Market Directive 2019/790, the company expressly reserves this work from the text and data mining exception. Authorization to photocopy items for internal or personal use by the company's outlets or equipment owner is granted.

The company reserves the right under its product improvement policy to change construction or design details and furnish equipment when so altered without reference to illustrations or specifications used. This equipment manufacturer or the vehicle manufacturer may require or recommend optional equipment for snow removal. Do not exceed vehicle ratings with a snowplow. The company offers a limited warranty for all snowplows and accessories. See separately printed page for this important information.

Printed in U.S.A.