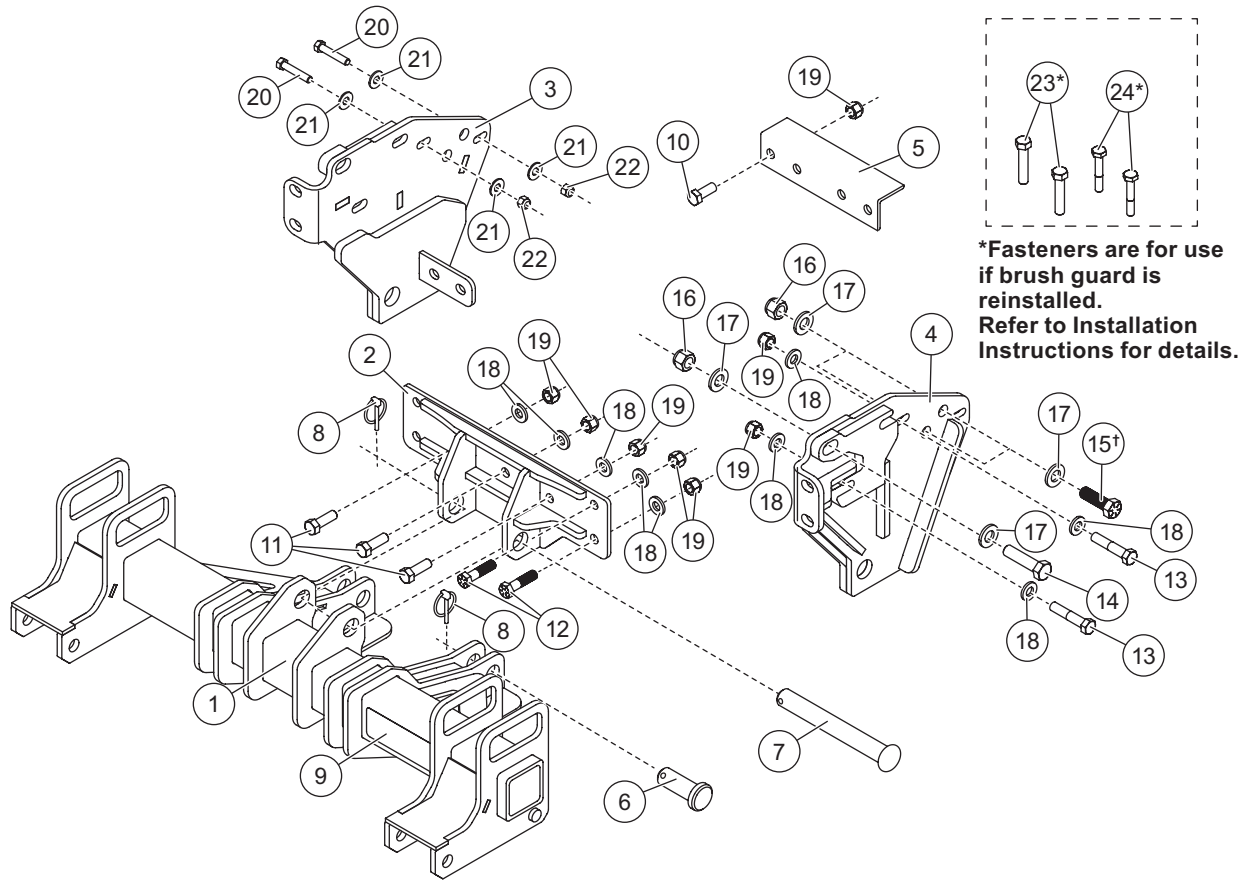


PARTS LIST



33240-1 Mount Kit							
Item	Part	Qty	Description	Item	Part	Qty	Description
1	74501	1	Push Beam	ns	78753	1	Bolt Bag
2	74422	1	Front Mount Assembly	ns	72168	1	Vehicle Cable Assembly
3	74424	1	Thrust Arm, Right Side	ns	74077	1	Jumper Connector, 4-Position
4	74425	1	Thrust Arm, Left Side	ns	28587	1	Vehicle Control Harness
5	77395	1	Cross Bar	ns	61548K	1	Plug Cover Kit
6	27227	2	1 x 2-3/4 Clevis Pin	ns	90730	1	Fuse Kit, 200A
7	27979	1	1 x 8 Clevis Pin	ns		12	Cable Tie
8	93042	3	3/16 Linchpin	ns		1	Heat Shrink Tubing
9	77506	1	Label – Caution, Tractor RMV Loader	ns		1	Splice Package
78753 Bolt Bag							
10		4	1/2-13 x 1-1/4 Hex Cap Screw G5	18		15	1/2 Hardened Flat Washer Type 1
11		3	1/2-13 x 1-1/2 Hex Cap Screw G5	19		15	1/2-13 Hex Locknut GB
12		4	1/2 x 2 Hex Cap Screw G8	20		4	3/8-16 x 2 Hex Cap Screw G5
13		4	1/2-13 x 2-1/2 Hex Cap Screw G5	21		8	3/8 Flat Washer Type A Wide
14		2	5/8-11 x 2-1/2 Hex Cap Screw G5	22		4	3/8-16 Hex Locknut GB Topring
15†		2	5/8-11 x 2 Hex Cap Screw G8	23*		2	1/2-13 x 3 Hex Cap Screw G5
16		4	5/8-11 Hex Locknut GB	24*		2	5/8-11 x 3 Hex Cap Screw G5
17		8	5/8 Hardened Flat Washer				
ns = not shown				G = Grade			

* Not used for all installations. Refer to Installation Instructions for details.

† For 4075R models use the front hole of the tractor frame. For all other models, use the back hole. See Installation Instructions.

Copyright © 2024 Douglas Dynamics, LLC. All rights reserved. This material may not be reproduced or copied, in whole or in part, in any printed, mechanical, electronic, film, or other distribution and storage media, without the written consent of the company. Authorization to photocopy items for internal or personal use by the company's outlets or snowplow owner is granted.

The company reserves the right under its product improvement policy to change construction or design details and furnish equipment when so altered without reference to illustrations or specifications used. This equipment manufacturer or the vehicle manufacturer may require or recommend optional equipment for snow removal. Do not exceed vehicle ratings with a snowplow. The company offers a limited warranty for all snowplows and accessories. See separately printed page for this important information.

Printed in U.S.A.
