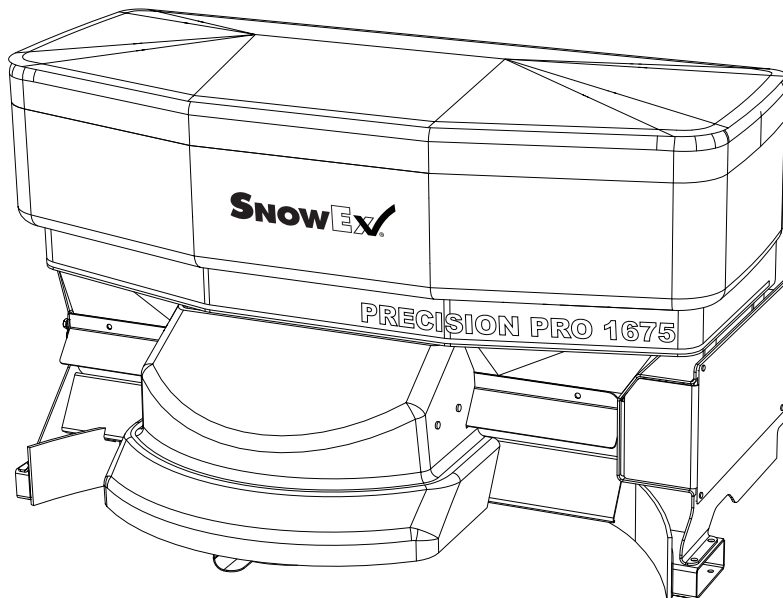


# Parts List

# SNOWEX<sup>®</sup>

LEADERS IN ICE CONTROL



## SP-1675

Serial No. X4-100000 and higher

## SP-1975

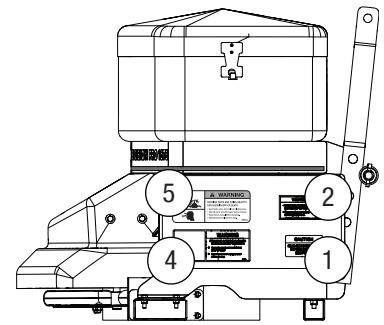
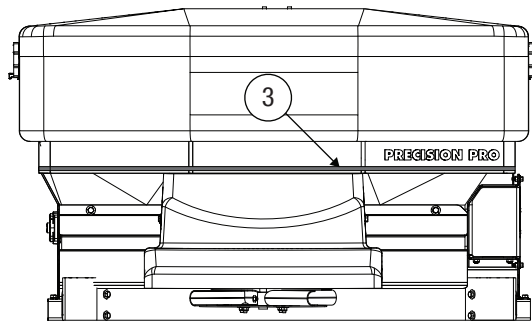
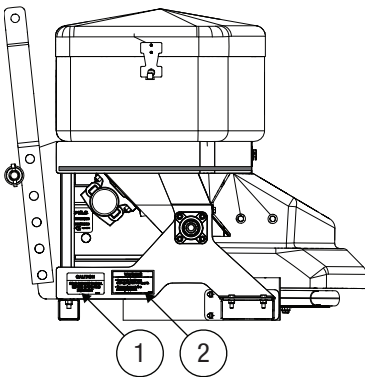
Serial No. X5-100000 and higher



**CUSTOMER COPY**

Madison Heights, Michigan 48071  
800-SALTERS  
[www.snowexproducts.com](http://www.snowexproducts.com)

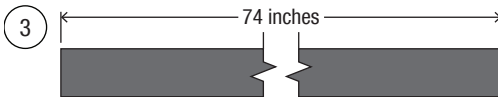
# Decal Placement



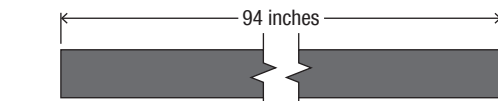
D4112



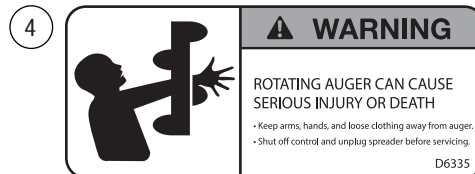
D6192



D6229-74 [SP-1675]



D6229-94 [SP-1975]



D6335



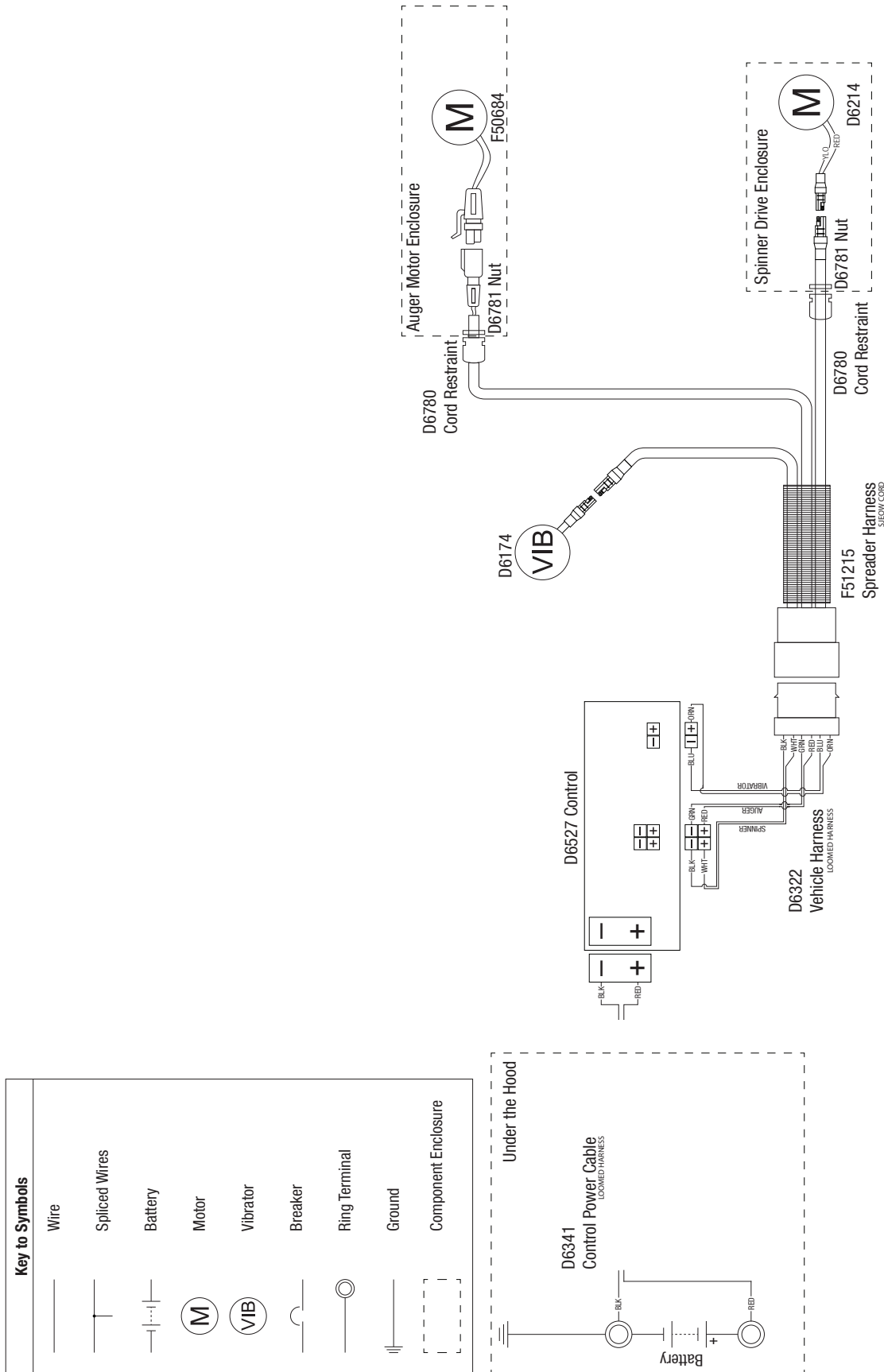
D6544

6 PRECISION PRO 1675

F5127

PRECISION PRO 1975

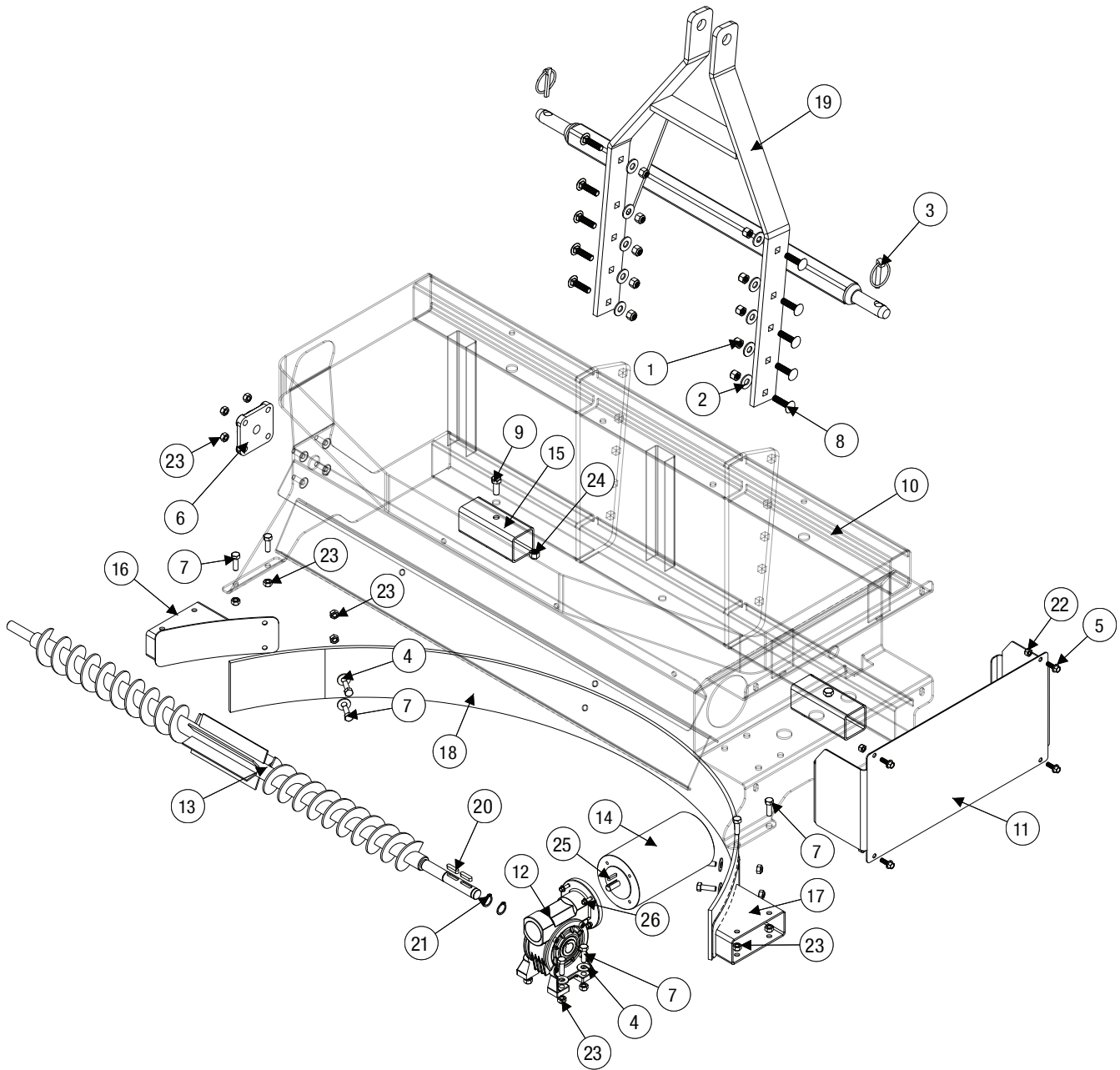
F5128



# Frame and Auger Parts Breakdown



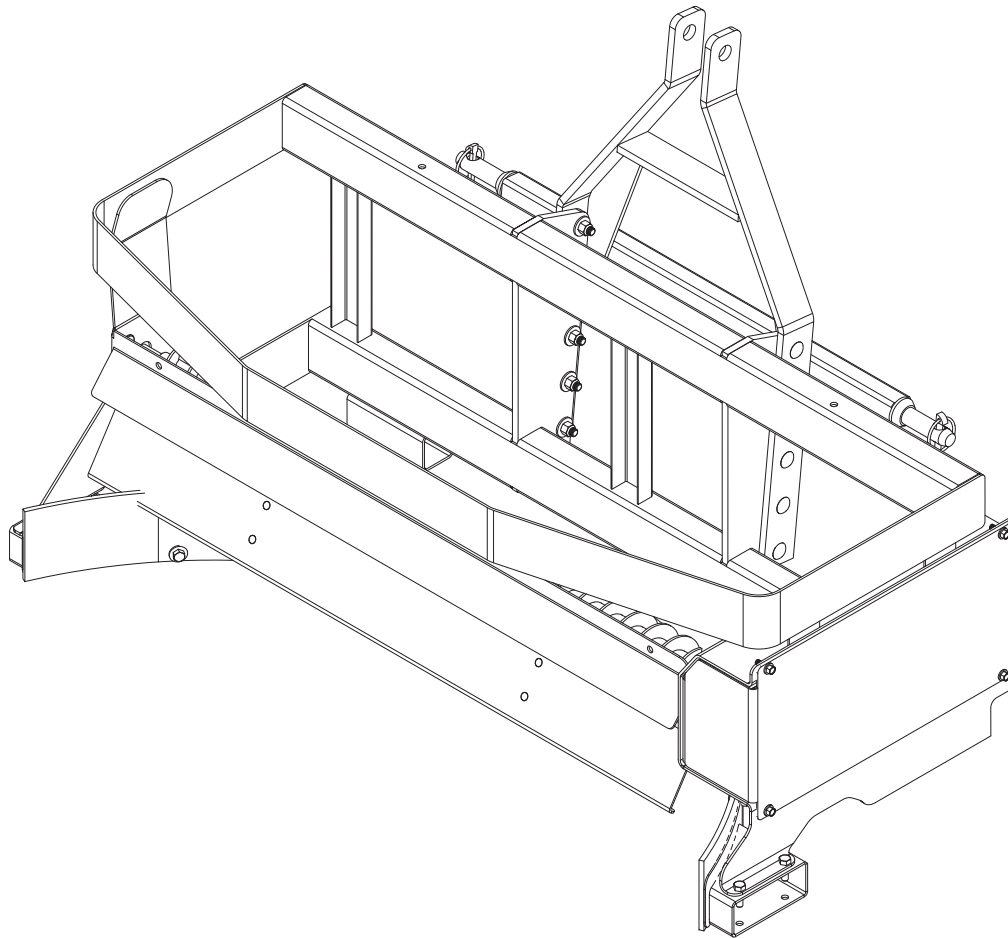
SP-1675



# Frame and Auger Parts Breakdown



SP-1675



ID #	Part #	Qty
1	D4124	10
2	D4125	10
3	D4133	2
4	D5949	8
5	D6132	4
6	D6332	1
7	D6418	12

ID #	Part #	Qty
8	D6875	10
9	F50110	2
10	F50482	1
11	F50483	1
12	F50582	1
13	F50594	1
14	F50684	1

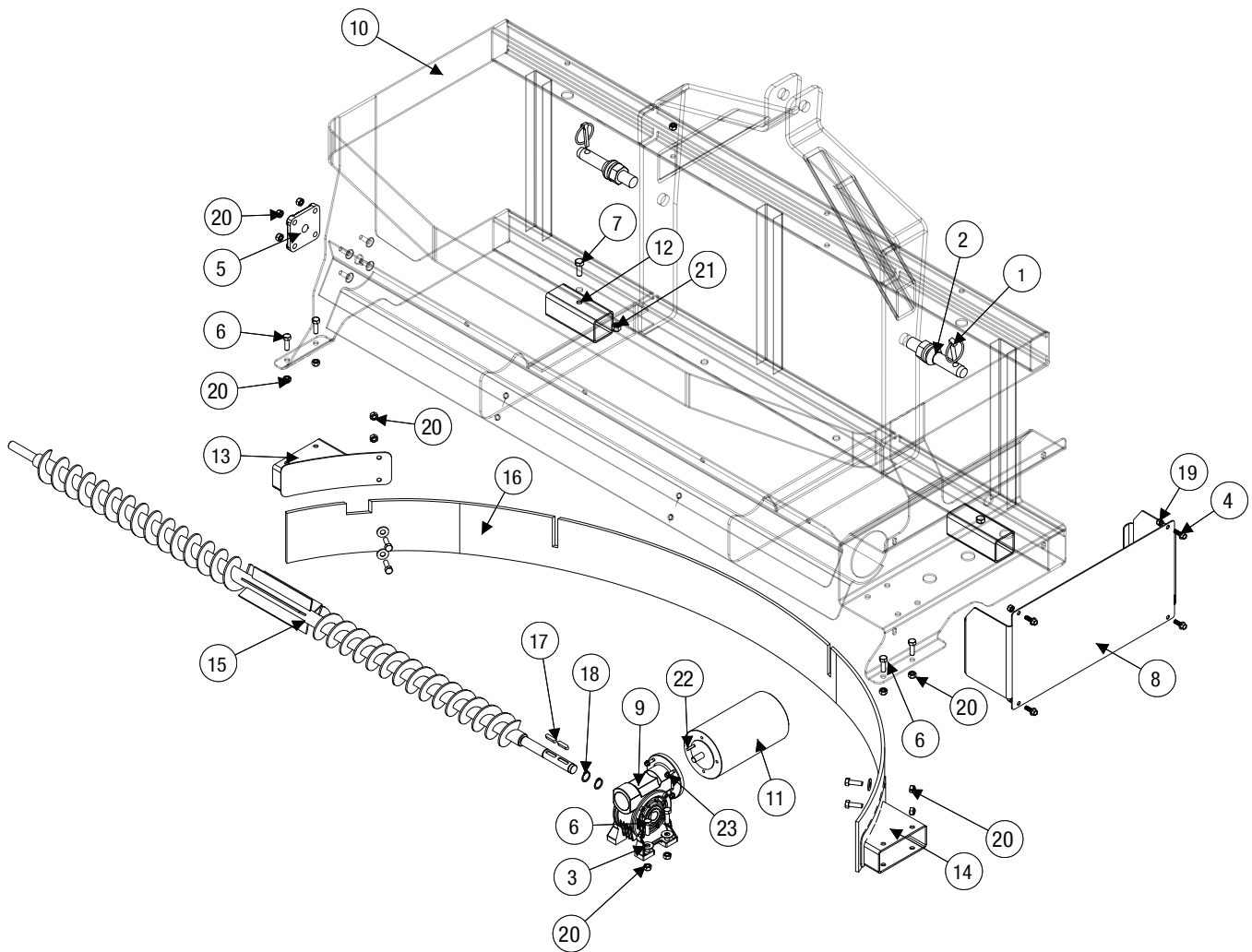
ID #	Part #	Qty
15	F51068	2
16	F51069	1
17	F51070	1
18	F51150	1
19	F51196	1
20	F51213	2
21	F51214	2

ID #	Part #	Qty
22	T15016	4
23	T15018	16
24	T30728	2
25	T30731	1
26	T30735	4

# Frame and Auger Parts Breakdown



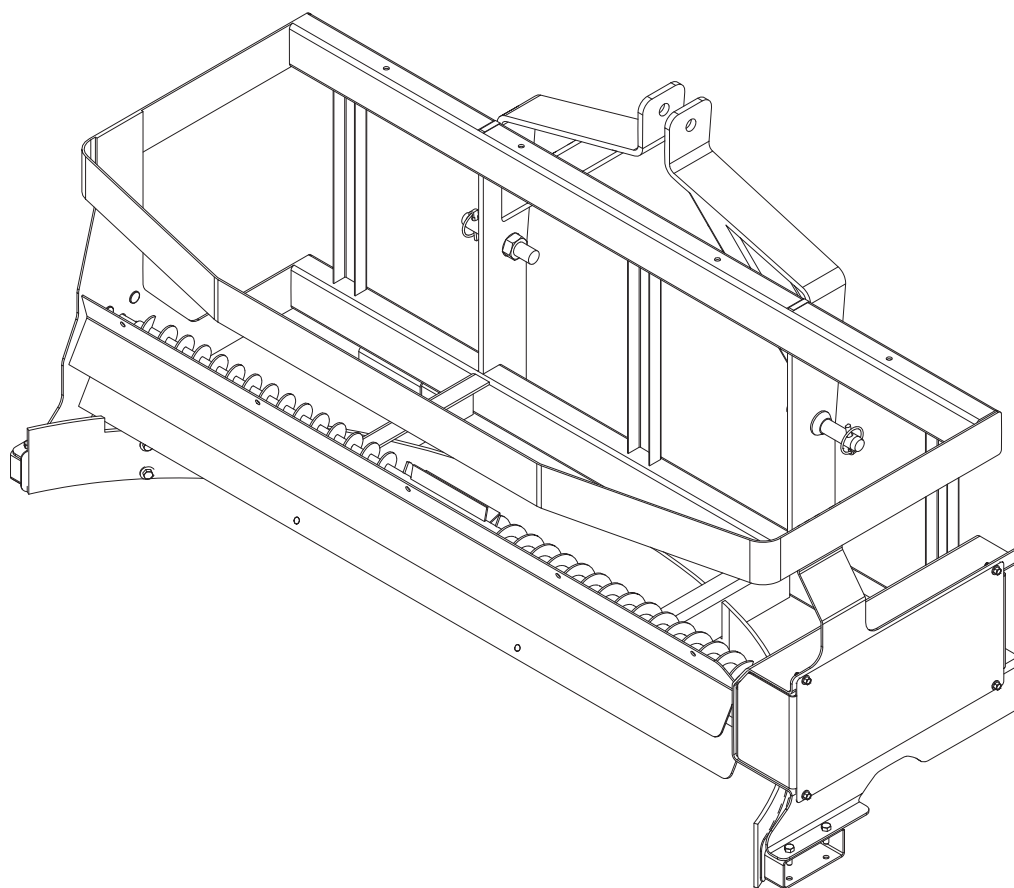
SP-1975



# Frame and Auger Parts Breakdown



SP-1975



ID #	Part #	Qty
1	D4133	2
2	D4137	2
3	D5949	8
4	D6132	4
5	D6332	1
6	D6418	12

ID #	Part #	Qty
7	F50110	2
8	F50483	1
9	F50582	1
10	F50585	1
11	F50684	1
12	F51068	2

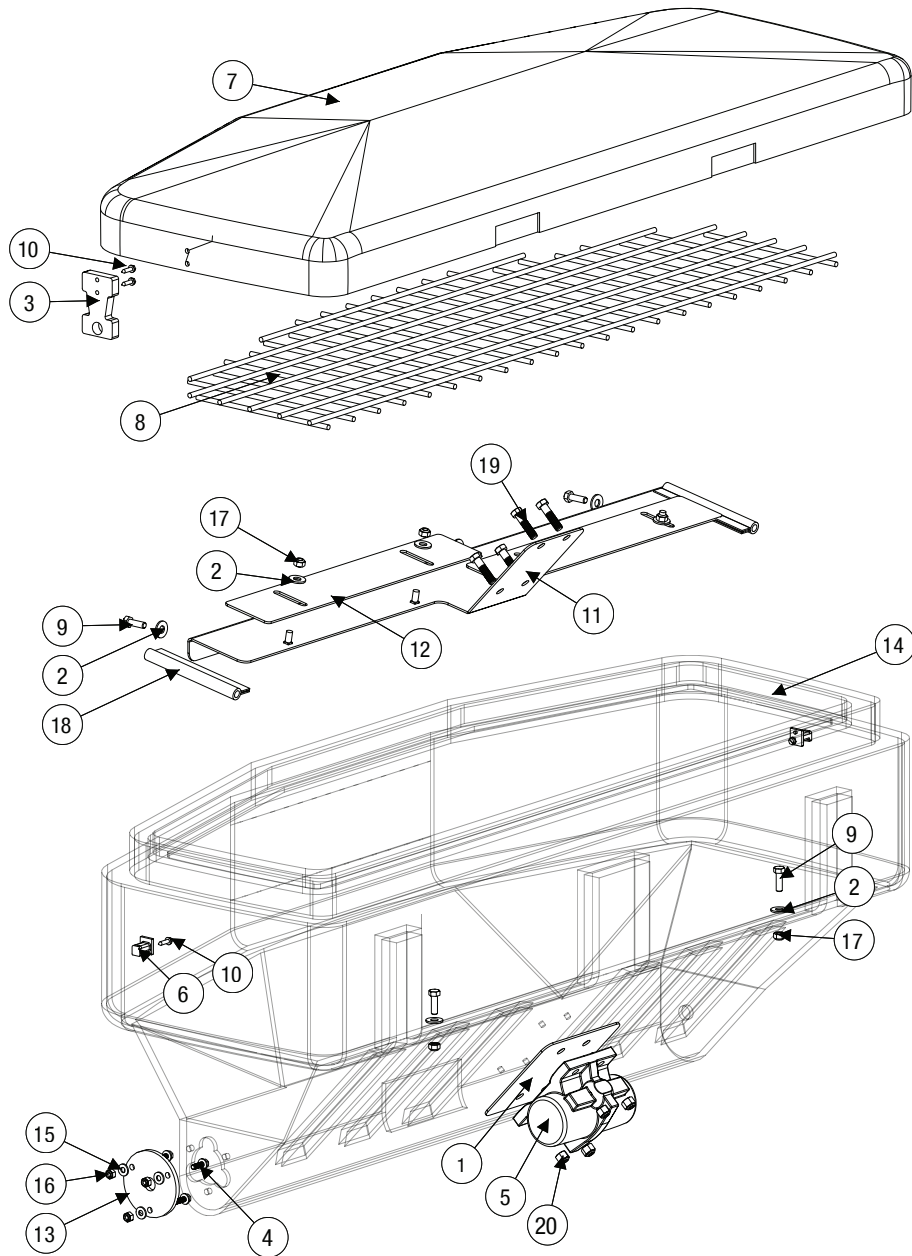
ID #	Part #	Qty
13	F51069	1
14	F51070	1
15	F51084	1
16	F51149	1
17	F51213	2
18	F51214	2

ID #	Part #	Qty
19	T15016	4
20	T15018	17
21	T30728	2
22	T30731	1
23	T30735	4

# Hopper Parts Breakdown



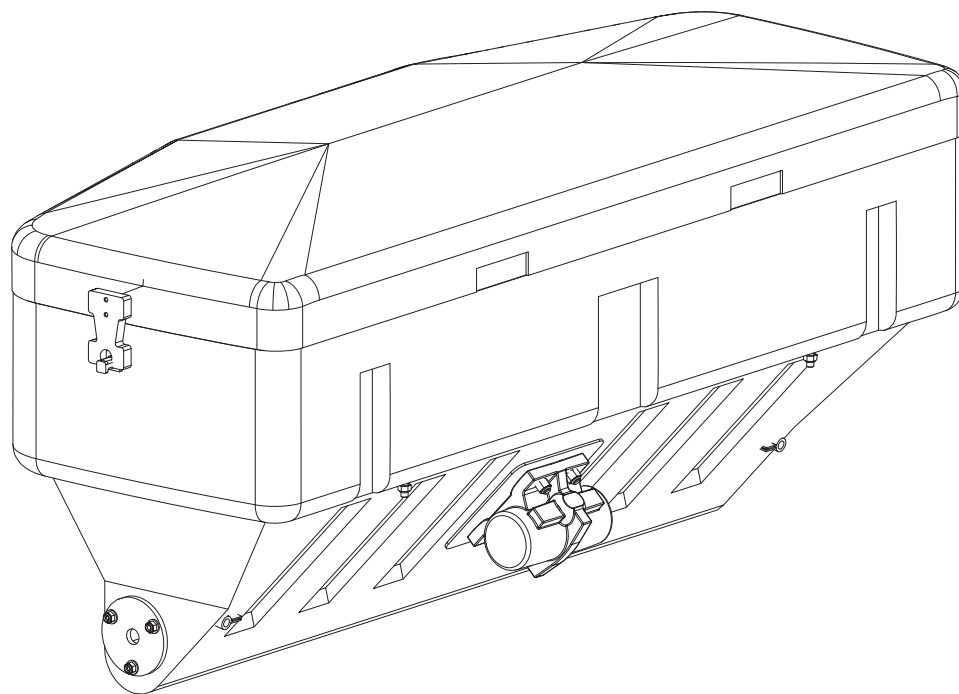
SP-1675



# Hopper Parts Breakdown



SP-1675



ID #	Part #	Qty
1	D5508	1
2	D5949	10
3	D6105	2
4	D6132	3
5	D6174	1
6	D6198	2

ID #	Part #	Qty
7	D6314	1
8	D6334	1
9	D6418	6
10	D6553	6
11	F50557	1
12	F50708	2

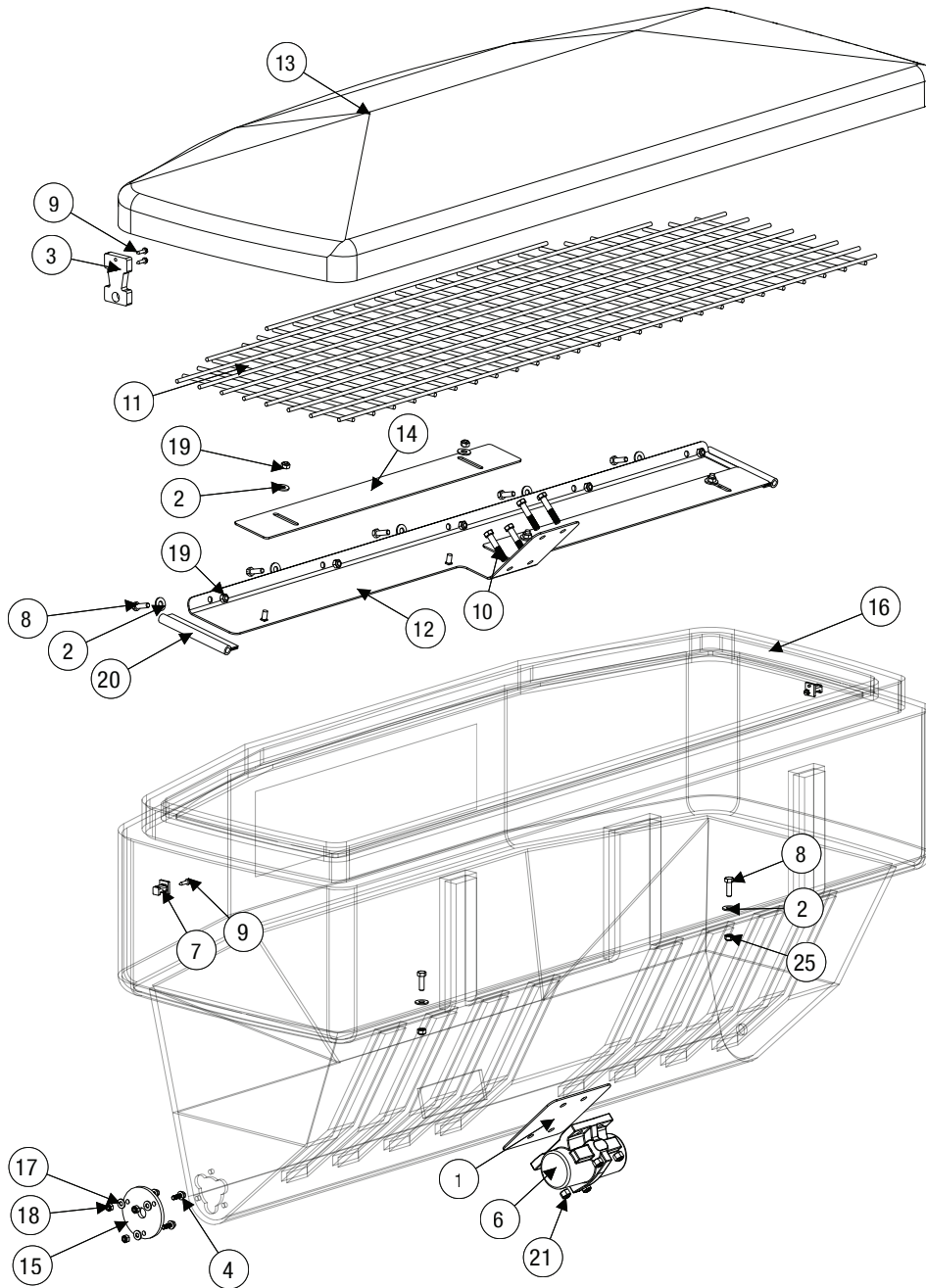
ID #	Part #	Qty
13	F50980	1
14	F51257	1
15	T15014	3
16	T15016	3
17	T15018	6
18	T30008-6	2

ID #	Part #	Qty
19	T30727	4
20	T30728	4

# Hopper Parts Breakdown



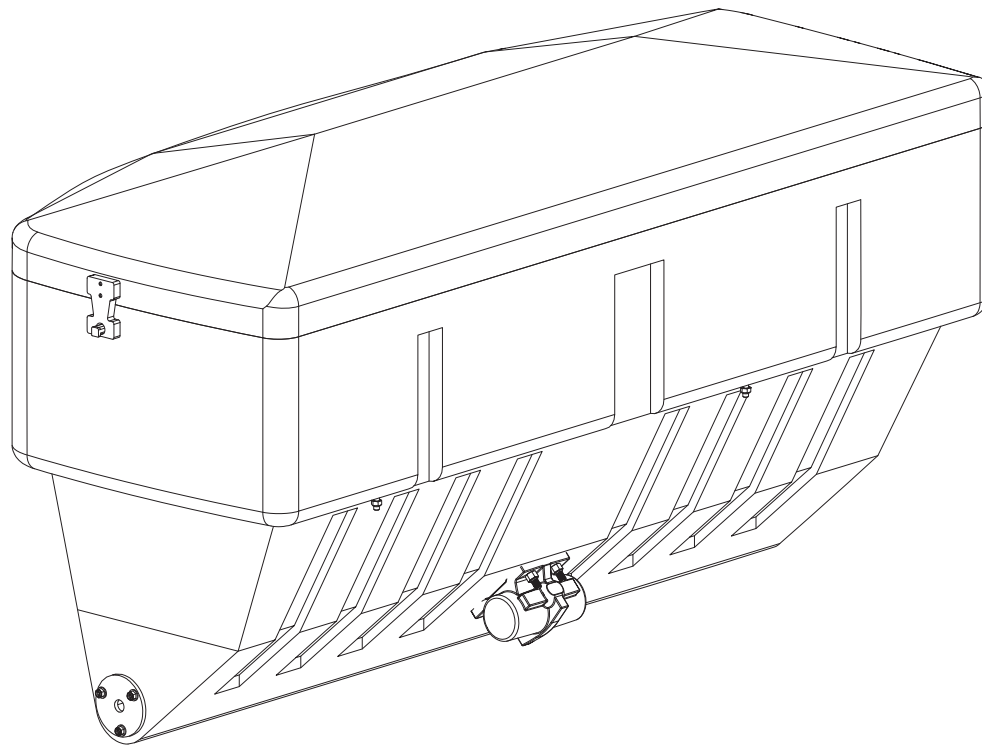
SP-1975



# Hopper Parts Breakdown



SP-1975



ID #	Part #	Qty
1	D5508	1
2	D5949	11
3	D6105	2
4	D6132	3
6	D6174	1
7	D6198	2

ID #	Part #	Qty
8	D6418	7
9	D6553	6
10	F50547	4
11	F50588	1
12	F50589	1
13	F50592	1

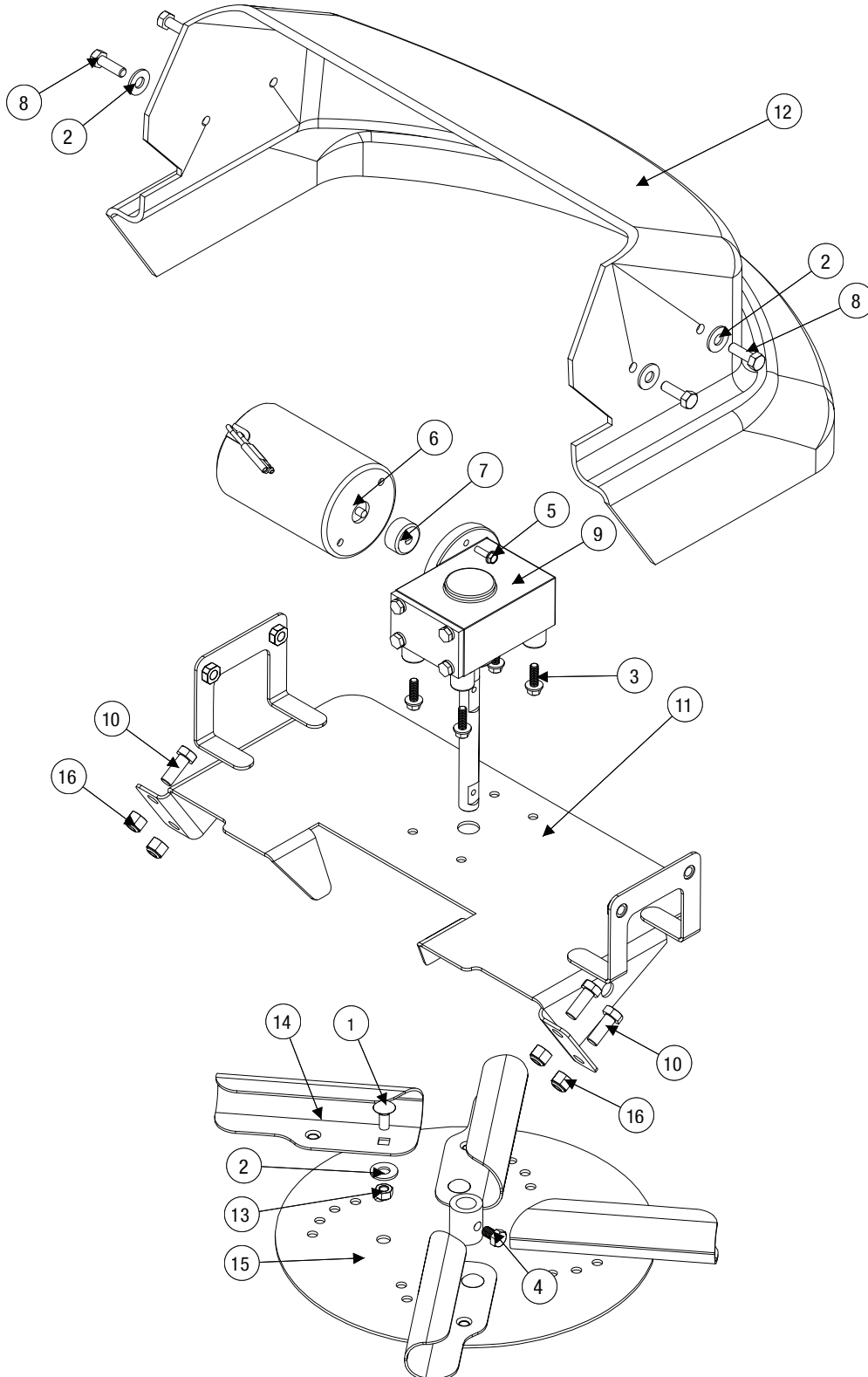
ID #	Part #	Qty
14	F50712	2
15	F50980	1
16	F51258	1
17	T15014	3
18	T15016	3
19	T15018	11

ID #	Part #	Qty
20	T30008-6	2
21	T30728	4

# Spinner Drive Parts Breakdown



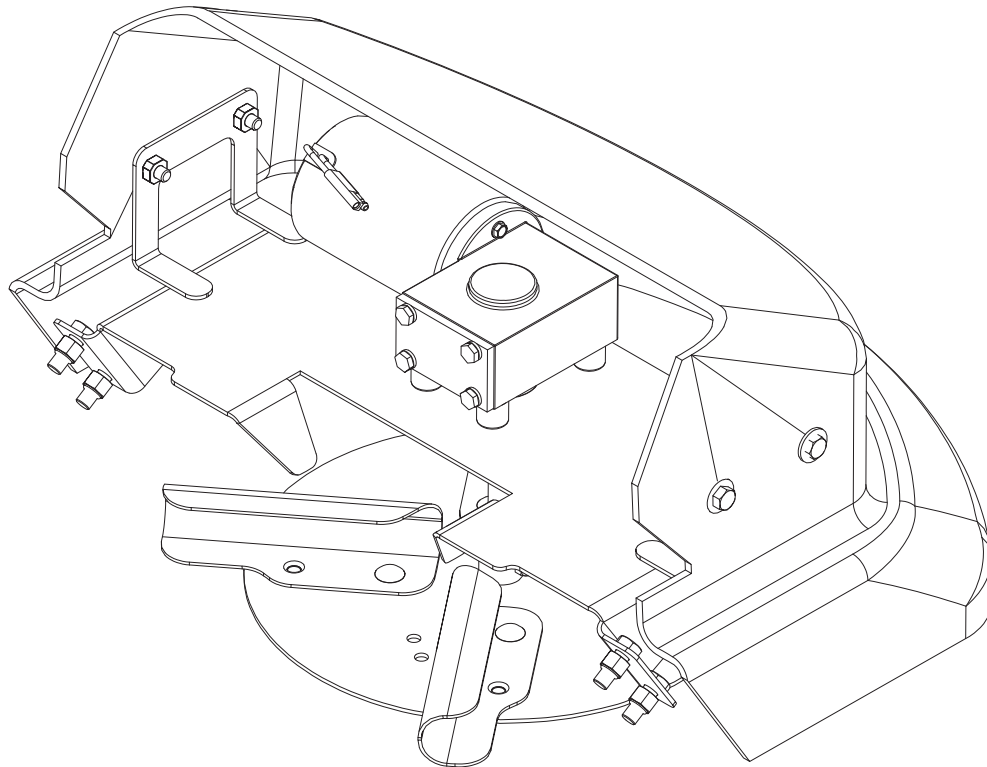
SP-1675/1975



# Spinner Drive Parts Breakdown



SP-1675/1975



ID #	Part #	Qty
1	D5022	4
2	D5949	8
3	D6132	4
4	D6133	1
5	D6172	2

ID #	Part #	Qty
6	D6214	1
7	D6232	1
8	D6418	4
9	D6715	1
10	F50110	4

ID #	Part #	Qty
11	F50595	1
12	F51063	1
13	T15018	4
14	T30207	4
15	T30241	1

ID #	Part #	Qty
16	T30728	4

# Key to Parts



D4112	Decal   Caution - Read Owner's Manual	F51217	Decal   1675
D4124	Nut   3/8"-16 Nylox Zinc	F51218	Decal   1975
D4125	Washer   3/8" Flat USS Zinc	F51257	Hopper   Yellow 1675
D4133	Linch Pin   5/16" X 1-9/16" Zinc	F51258	Hopper   Yellow 1975
D4137	Lift Arm Pin   7/8" X 5-1/2"	T15014	Washer   1/4" Flat Stainless
D5022	Bolt   5/16"-18 X 3/4" Carriage Stainless	T15016	Nut   1/4"-20 Nylox Waxed Stainless
D5508	Flat Inverted V Backing Plate	T15018	Nut   5/16"-18 Nylox Waxed Stainless
D5949	Washer   5/16" Flat Stainless	T30008	Edge Grip Seal
D6132	Bolt   1/4"-20 X 3/4" Serrated Flange Stainless	T30207	Cupped Spinner Fin
D6133	Bolt   5/16"-18 X 1/2" Hex Head Zinc	T30241	Spinner Assembly   12" Adjustable
D6172	Bolt   #10-32 X 5/8" Serrated Flange Zinc W/Patch	T30727	Bolt   3/8"-16 X 1-1/2" Hex Head Stainless
D6174	Vibrator   DC 80	T30728	Nut   3/8"-16 Nylox Waxed Stainless
D6192	Decal   Warning - Hands & Feet/Disconnect Power	T30731	Keystock   M4 X 15mm
D6214	Motor   3.0 X 3.8 12 Volt DC W/2-Pin Connector	T30735	Bolt   M5-0.80 X 12mm Serrated Flange Zinc
D6229	Red Stripe   3/8" X 1"		
D6232	Motor Drive Coupler		
D6314	Lid Assembly   SP-1875		
D6322	Vehicle Harness 311"		
D6341	Control Power Cable 38"		
D6332	Bearing   5/8" 4 Bolt Flange		
D6334	6.0 Cu Ft Top Screen		
D6335	Decal   Warning - Rotating Auger		
D6418	Bolt   5/16"-18 X 1" Hex Head Stainless		
D6527	Spreader Control   Pro		
D6715	Transmission   14.5:1 Worm Gear		
D6781	Nut   1/2" NPT Black Nylon		
D6875	Bolt   3/8"-16 X 1-1/2" Carriage Zinc		
F50110	Bolt   3/8"-16 X 1" Hex Head Stainless		
F50482	Main Frame   6.0 Cu Ft		
F50483	Auger Motor Cover   3-Point Spreader		
F50547	Bolt   3/8"-16 X 2" Hex Head Stainless		
F50557	Material Baffle   1675		
F50582	Transmission   100:1 Worm Gear		
F50585	Main Frame   1975		
F50588	Top Screen   52.35 X 18.25		
F50589	Material Baffle   1975		
F50592	Lid Assembly   1975		
F50594	Auger   1975		
F50595	Spinner Drive Mount Plate		
F50684	Motor   Precision Pro Auger		
F50712	Adjustable Material Baffle   1975		
F50980	Shaft Seal		
F51063	Spinner Drive Cover		
F51068	Foot   Center Discharge		
F51069	Foot Deflector   Left		
F51070	Foot Deflector   Right		
F51073	Owner's Manual		
F51084	Auger   1975		
F51149	Material Deflector   1975		
F51150	Material Deflector   1675		
F51196	3 Point Hitch		
F51213	Keystock   6mm X 25mm		
F51214	External Retaining Ring   18mm		
F51215	Spreader Harness   Precision Pro		



