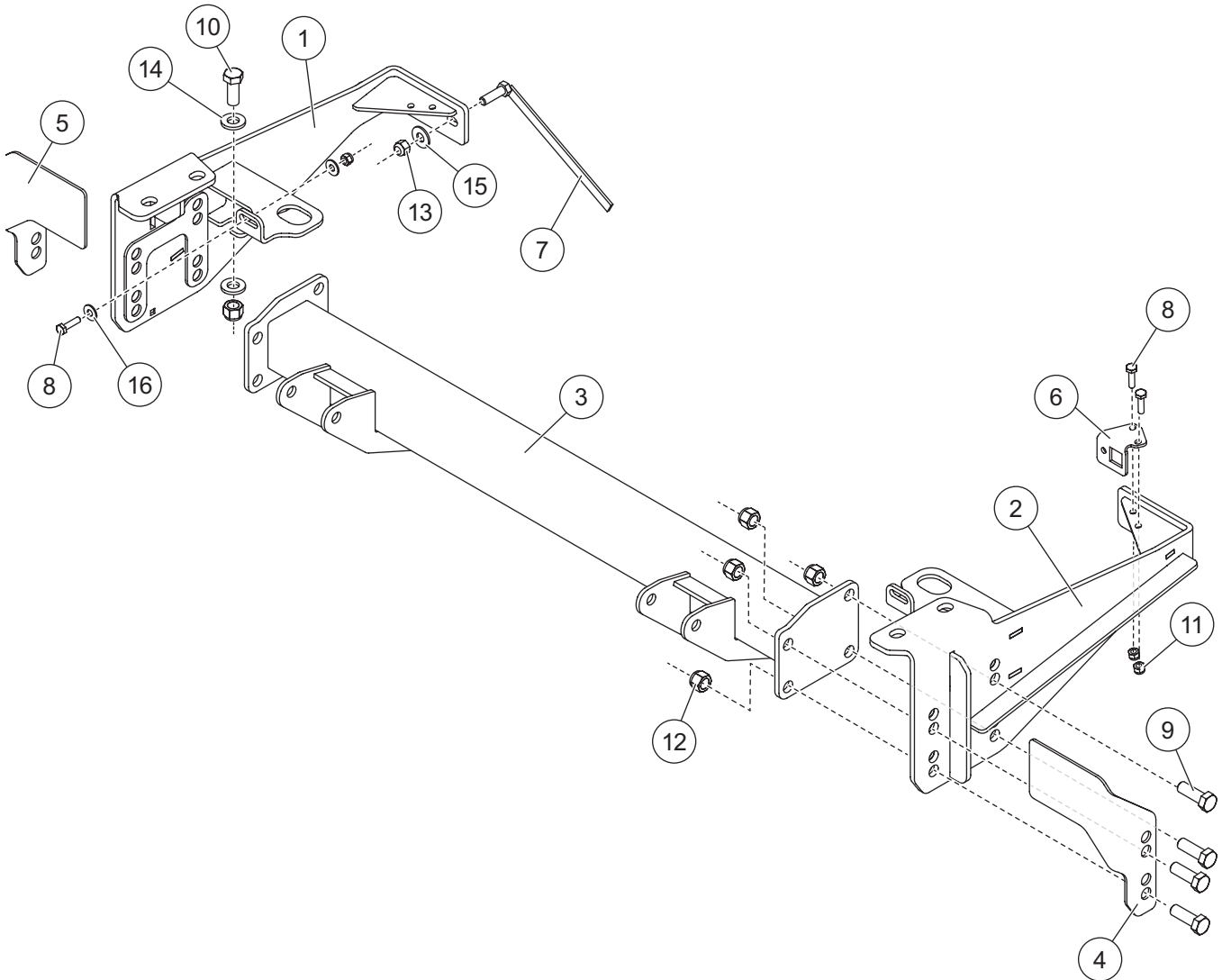


PARTS LIST



| 33283 Mount Kit | | | | | | | |
|-----------------|-------|-----|----------------------------------|-----------|-------|-----|-----------------------------------|
| Item | Part | Qty | Description | Item | Part | Qty | Description |
| 1 | 85945 | 1 | Ranger Mount - PS | 5 | 85951 | 1 | Tow Hook Cover - PS |
| 2 | 85946 | 1 | Ranger Mount - DS | 6 | 85947 | 1 | Hose Bracket |
| 3 | 77362 | 1 | Mount Beam | 7 | 28043 | 2 | 3/8-16 x 1-1/4 HX CS G5 w/ Handle |
| 4 | 85950 | 1 | Tow Hook Cover - DS | ns | 85948 | 1 | Bolt Bag |
| 85948 Bolt Bag | | | | | | | |
| 8 | | 4 | 1/4-20 x 1 Hex Cap Screw G5 | 13 | | 2 | 3/8-16 Hex Locknut GB |
| 9 | | 8 | 1/2-13 x 1-1/2 Hex Cap Screw G5 | 14 | | 4 | 1/2 Hardened Flat Washer |
| 10 | | 2 | 1/2-13 x 1-1/4 Hex Cap Sscrew G5 | 15 | | 2 | 3/8 Type A Wide Flat Washer |
| 11 | | 4 | 1/4-20 Hex Locknut GB | 16 | | 4 | 1/4 Type A Wide Flat Washer |
| 12 | | 10 | 1/2-13 Hex Locknut GB | | | | |
| ns = not shown | | | | G = Grade | | | |

Copyright © 2025 Douglas Dynamics, LLC. All rights reserved. This material may not be reproduced or copied, in whole or in part, in any printed, mechanical, electronic, film, or other distribution and storage media, without the written consent of the company. Authorization to photocopy items for internal or personal use by the company's outlets or snowplow owner is granted.

The company reserves the right under its product improvement policy to change construction or design details and furnish equipment when so altered without reference to illustrations or specifications used. This equipment manufacturer or the vehicle manufacturer may require or recommend optional equipment for snow removal. Do not exceed vehicle ratings with a snowplow. The company offers a limited warranty for all snowplows and accessories. See separately printed page for this important information.

Printed in U.S.A.
