

33283

MOUNT KIT COMPACT PLOW

Ford Ranger

2024-__

Installation Instructions

▲ CAUTION

Read this document before installing the snowplow.

▲ CAUTION

See your sales outlet/website for specific vehicle application recommendations before installation. The online selection system has specific vehicle and snowplow requirements.

SAFETY DEFINITIONS

⚠ WARNING
 Indicates a potentially hazardous situation that, if not avoided, could result in death or serious personal injury.

⚠ CAUTION
 Indicates a potentially hazardous situation that, if not avoided, may result in minor or moderate injury. It may also be used to alert against unsafe practices.

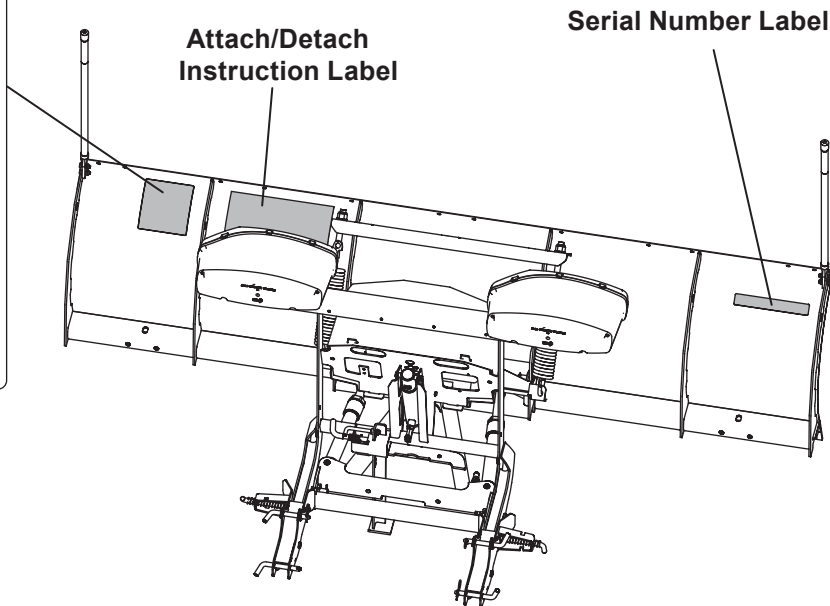
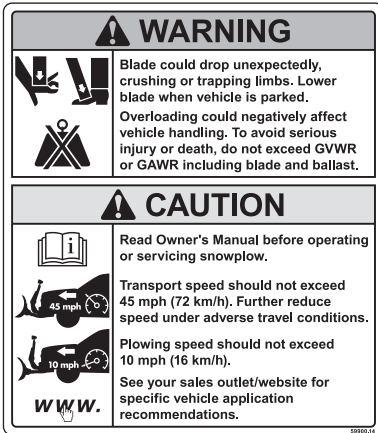
NOTE: Indicates a situation or action that can lead to damage to your snowplow and vehicle or other property. Other useful information can also be described.

WARNING/CAUTION & INSTRUCTION LABELS

Become familiar with and inform users about the warning/caution and instruction labels on the back of the blade.

NOTE: If labels are missing or cannot be read, see your sales outlet.

Warning/Caution Label



SAFETY PRECAUTIONS

Improper installation and operation could cause personal injury and/or equipment and property damage. Read and understand labels and the Owner's Manual before installing, operating, or making adjustments.

WARNING

Lower the blade when vehicle is parked. Temperature changes could change hydraulic pressure, causing the blade to drop unexpectedly or damaging hydraulic components. Failure to do this could result in serious personal injury.

WARNING

The driver shall keep bystanders clear of the blade when it is being raised, lowered, or angled. Do not stand between the vehicle and the blade or within 8 feet of a moving blade. A moving or falling blade could cause personal injury.

WARNING

Keep hands and feet clear of the blade and A-frame when mounting or removing the snowplow. Moving or falling assemblies could cause personal injury.

WARNING

Do not exceed GVWR or GAWR including the blade and ballast. The rating label is found on the driver-side vehicle door cornerpost.

WARNING

To prevent accidental movement of the blade, always turn the control OFF whenever the snowplow is not in use. The power indicator light will turn OFF.

WARNING

Remove blade assembly before placing vehicle on hoist.

CAUTION

Refer to the online selection system for minimum vehicle recommendations and ballast requirements.

PERSONAL SAFETY

- Remove the ignition key and put the vehicle in PARK or in gear to prevent others from starting the vehicle during installation or service.
- Wear only snug-fitting clothing while working on your vehicle or snowplow.
- Do not wear jewelry or a necktie, and secure long hair.
- Wear safety goggles to protect your eyes from battery acid, gasoline, dirt, and dust.
- Avoid touching hot surfaces such as the engine, radiator, hoses, and exhaust pipes.
- Always have a fire extinguisher rated BC handy, for flammable liquids and electrical fires.

FIRE AND EXPLOSION

WARNING

Gasoline is highly flammable and gasoline vapor is explosive. Never smoke while working on vehicle. Keep all open flames away from gasoline tank and lines. Wipe up any spilled gasoline immediately.

Be careful when using gasoline. Do not use gasoline to clean parts. Store only in approved containers away from sources of heat or flame.

CELL PHONES

A driver's first responsibility is the safe operation of the vehicle. The most important thing you can do to prevent a crash is to avoid distractions and pay attention to the road. Wait until it is safe to operate mobile communication equipment such as cell phones, text messaging devices, pagers, or two-way radios.

VENTILATION

WARNING

Vehicle exhaust contains lethal fumes. Breathing these fumes, even in low concentrations, can cause death. Never operate a vehicle in an enclosed area without venting exhaust to the outside.

NOISE

Airborne noise emission during use is below 70 dB(A) for the snowplow operator.









VIBRATION

Operating snowplow vibration does not exceed 2.5 m/s² to the hand-arm or 0.5 m/s² to the whole body.

TORQUE CHART

⚠ CAUTION

Read instructions before assembling. Fasteners should be finger tight until instructed to tighten according to the torque chart. Use standard methods and practices when attaching snowplow, including proper personal protective safety equipment.

Recommended Fastener Torque Chart					
Inch Fasteners Grade 5 and Grade 8					
Size	Torque (ft-lb)		Size	Torque (ft-lb)	
	 Grade 5	 Grade 8		 Grade 5	 Grade 8
1/4-20	8.4	11.9	9/16-12	109	154
1/4-28	9.7	13.7	9/16-18	121	171
5/16-18	17.4	24.6	5/8-11	150	212
5/16-24	19.2	27.3	5/8-18	170	240
3/8-16	30.8	43.6	3/4-10	269	376
3/8-24	35.0	49.4	3/4-16	297	420
7/16-14	49.4	69.8	7/8-9	429	606
7/16-20	55.2	77.9	7/8-14	474	669
1/2-13	75.3	106.4	1-8	644	909
1/2-20	85.0	120.0	1-12	704	995
Metric Fasteners Class 8.8 and 10.9					
Size	Torque (ft-lb)		Size	Torque (ft-lb)	
	 Class 8.8	 Class 10.9		 Class 8.8	 Class 10.9
M6 x 1.00	7.7	11.1	M20 x 2.50	325	450
M8 x 1.25	19.5	26.9	M22 x 2.50	428	613
M10 x 1.50	38.5	53.3	M24 x 3.00	562	778
M12 x 1.75	67	93	M27 x 3.00	796	1139
M14 x 2.00	107	148	M30 x 3.50	1117	1545
M16 x 2.00	167	231	M33 x 3.50	1468	2101
M18 x 2.50	222	318	M36 x 4.00	1952	2701
These torque values apply to fasteners except those noted in the instructions.					

INSTALLATION INSTRUCTIONS

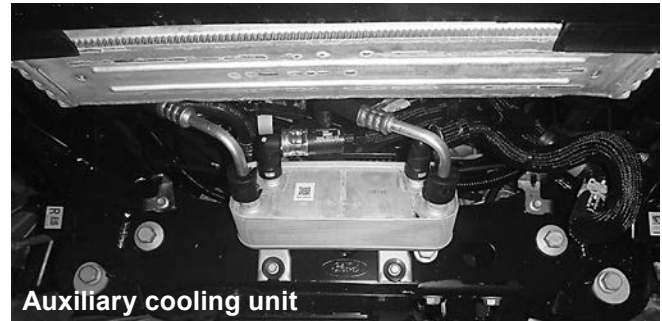
NOTE: For easier assembly and installation, vehicle and all snowplow components should be on a smooth, level, hard surface, such as concrete.

1. Remove the front splash pan. Retain for reinstallation.



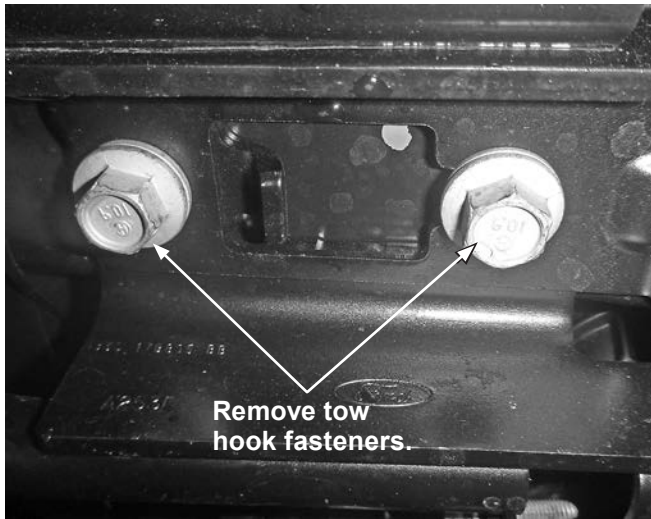
2. Remove the front lower valance. Retain for reinstallation.

3. Check if vehicle is equipped with an auxiliary cooling unit as shown below. If the vehicle is not equipped with this, skip to step 6.

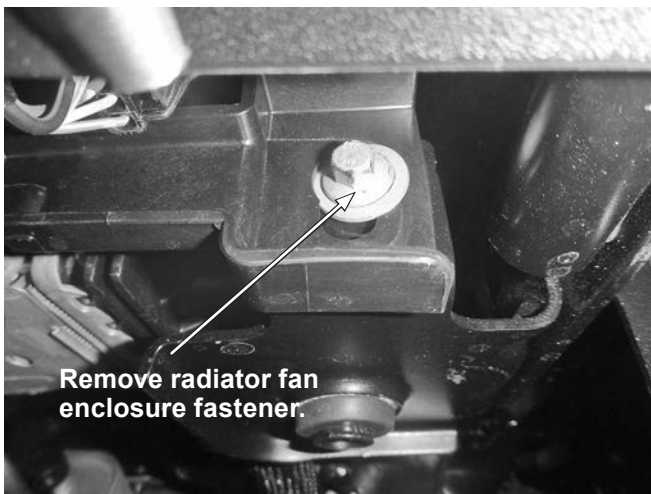
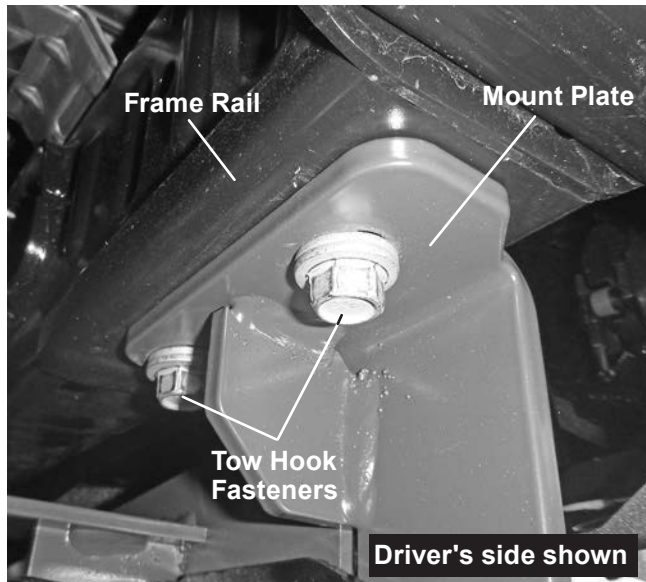


4. If vehicle is equipped with the auxiliary cooling unit, on the driver's side, remove fastener holding cooling lines to vehicle crossmember. Retain fastener for reinstallation.
5. Remove U-nut installed in the vehicle frame. Retain for reinstallation.

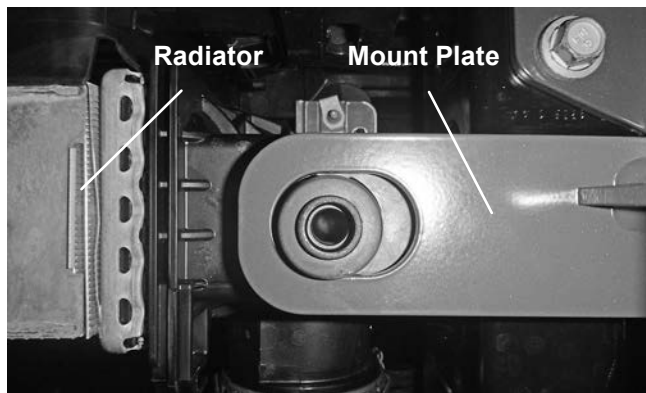
- 6. Starting on the driver's side of the vehicle, remove the tow hook fasteners and radiator fan enclosure fastener. Retain for reinstallation.



- 7. Using the tow hook fasteners, secure the driver's side mount plate to the bottom of the frame rail and hand tighten.

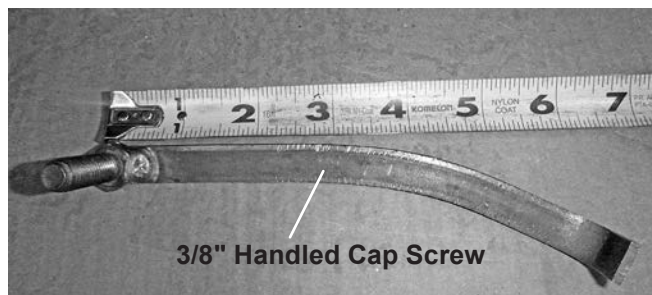


- 8. Ensure the bottom of radiator is supported by the mount plate.

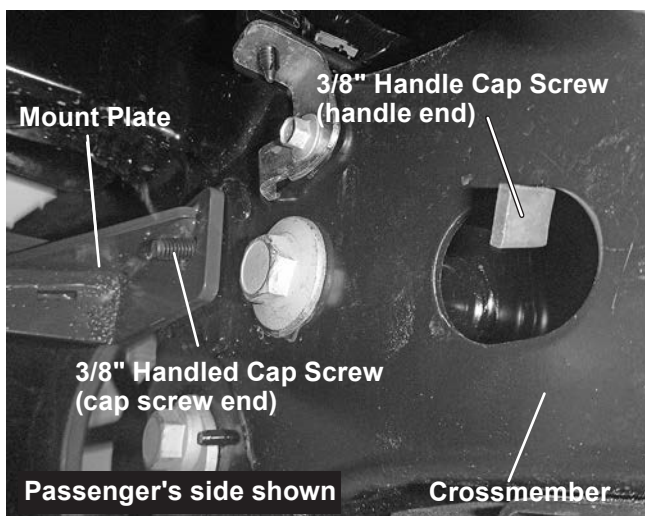
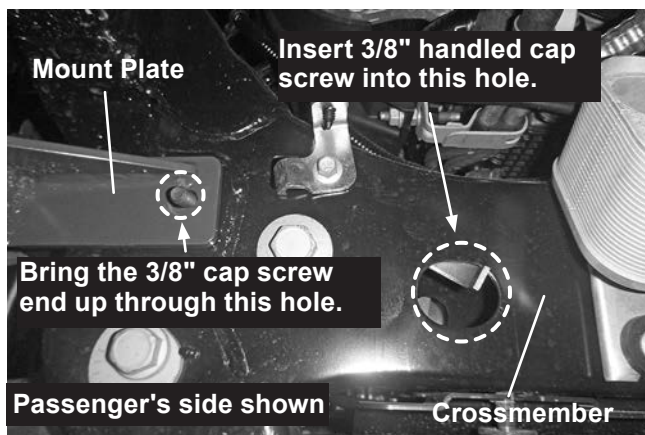


- 9. Repeat steps 6-8 on the passenger's side of vehicle.

10. Using the pictures below as a guide, bend the 3/8" handled cap screw to match picture shown for the passenger's side.

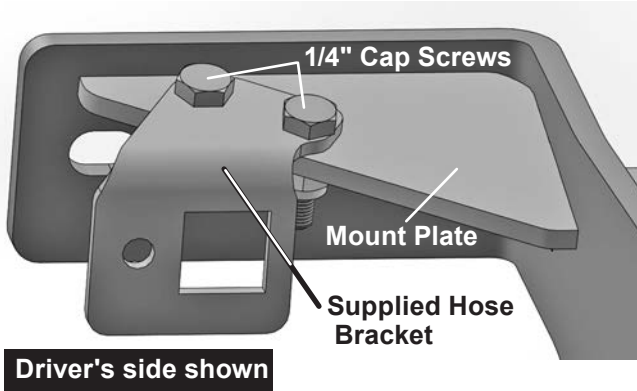


11. Insert 3/8" handled cap screw through large hole in cross member and insert the cap screw end through the back side of the passenger's side mount plate. Secure with 3/8" washer and 3/8" locknut and hand tighten.

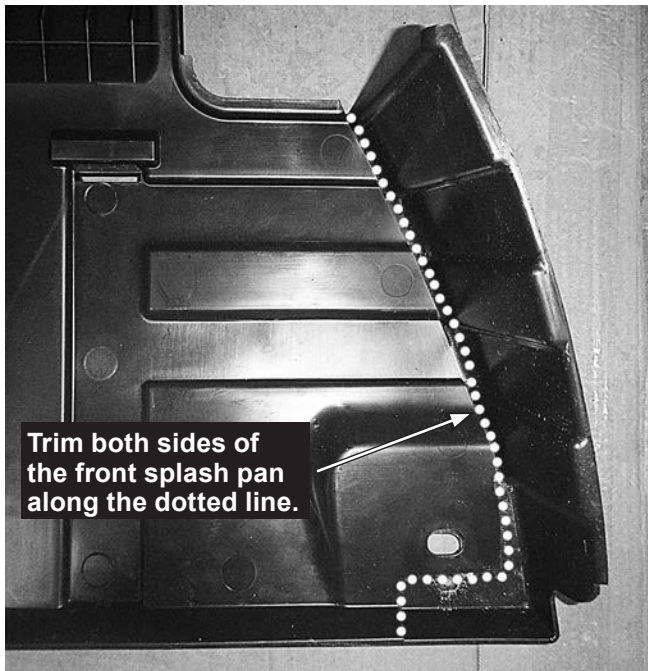


12. Repeat step 11 on driver's side.
13. If vehicle is not equipped with the auxiliary cooling unit, skip to step 16.

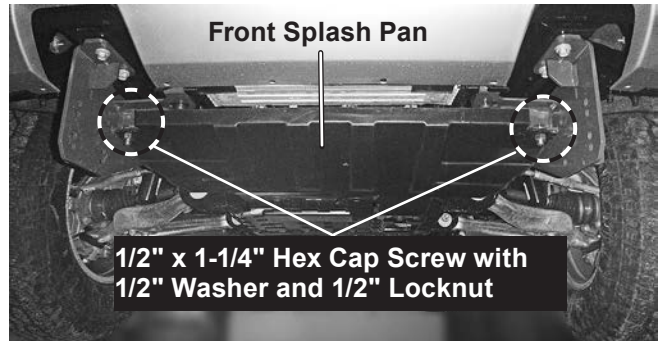
14. Install the supplied hose bracket to the driver-side mount plate using supplied 1/4" hex cap screws and 1/4" locknuts.



15. Place the U-nut that was removed from the vehicle crossmember onto the new hose bracket and secure hoses using the fastener removed in step 4.
16. Using the picture provided as a guide, trim the front splash pan. Trim on both sides of splash pan.

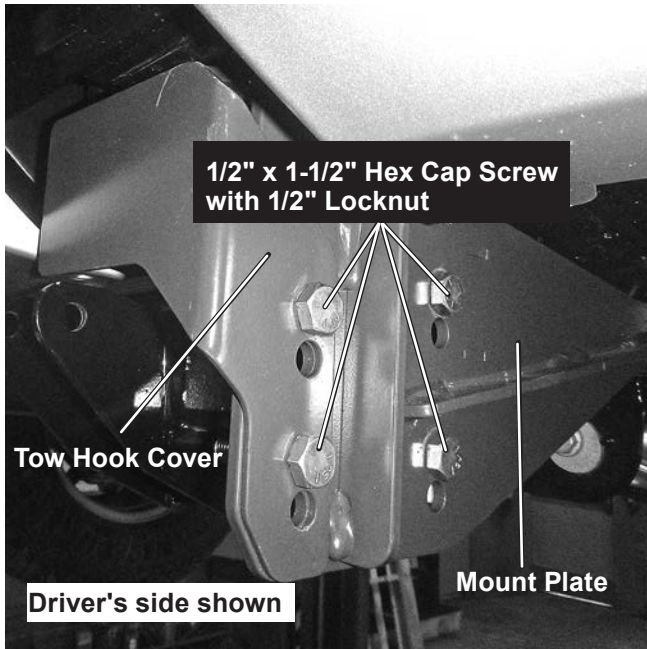


17. Once trimmed, reinstall the front splash pan utilizing the brackets on the mount plates. Secure front portion with supplied 1/2" x 1-1/4" hex cap screws with 1/2" washers and 1/2" locknuts.



18. Secure radiator enclosure to mount side plate using the supplied 1/4" hex cap screw with 1/4" washer and 1/4" locknut.
19. Insert the mount beam in between the mount side plates. Using a floor jack to support the mount beam, align the mount beam with the top set of holes of the side plates.

20. On the driver's side, place the driver's side tow hook cover on the outside of the mount plate. Secure the tow hook cover and mount beam to mount plate with four 1/2" x 1-1/2" hex cap screws and 1/2" locknuts.



21. Repeat step 20 on the passenger side.
22. Torque all fasteners to the specified torque settings.
23. Ensure the ground height of the mount beam from the rear hole to the ground is 10-1/4" +/- 3/4". If height is higher than 11" drop mount beam to the lower set of holes in side plate.

NOTE: After five to ten hours of snowplow usage, retorque all mount assembly fasteners.

The company reserves the right under its product improvement policy to change construction or design details and furnish equipment when so altered without reference to illustrations or specifications used. This equipment manufacturer or the vehicle manufacturer may require or recommend optional equipment for snow removal. Do not exceed vehicle ratings with a snowplow. The company offers a limited warranty for all snowplows and accessories. See separately printed page for this important information.

Printed in U.S.A.
