



FLEETFLEX
ELECTRICAL SYSTEM

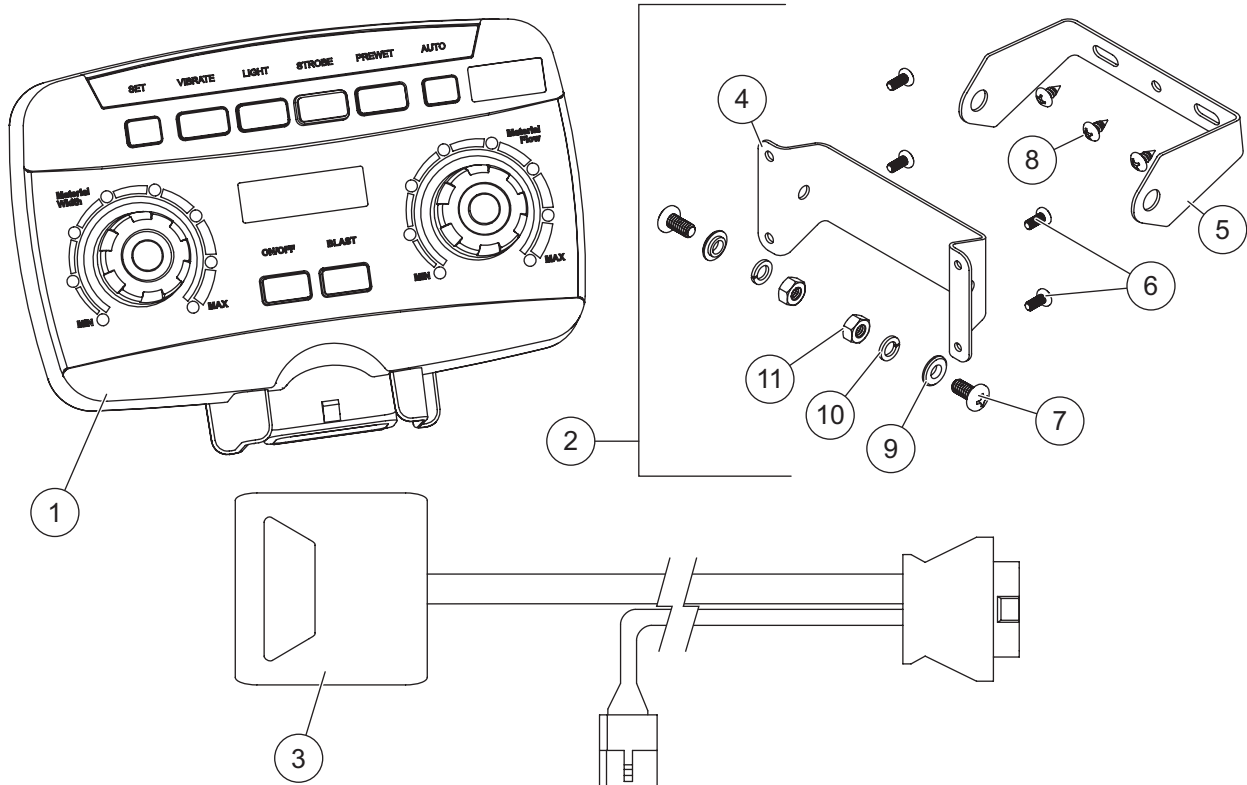
Western Products
PO Box 245038
Milwaukee, WI 53224-9538
www.westernplows.com

A DIVISION OF DOUGLAS DYNAMICS, LLC

32860 – Auto Speed Spreader Control Kit

Parts List

PARTS LIST



32860 Auto Speed Spreader Control Kit							
Item	Part	Qty	Description	Item	Part	Qty	Description
1	98940	1	Auto Speed Control	3	87170	1	OBD-II Control Harness
2	32865	1	Cab Control Bracket Kit	ns	87175	1	OBD-II Splitter Harness
Item 2 32865 Cab Control Bracket Kit							
4		1	Bracket, Control Inner Extended	8		3	#10 x 3/8 Pan Head Tapping Screw SS
5		1	Bracket, Control Outer Extended	9		2	1/4 Shoulder Washer
6		4	#8 x 3/8 Pan Head Machine Screw	10		2	1/4 Lock Washer SS
7		2	1/4-20 x 5/8 Pan Head Machine Screw SS	11		2	1/4-20 Hex Nut SS
Accessories							
ns	82006*		Control Mount - Cup Holder	ns	82018*		Adapter Plate, Spreader Control
SS = Stainless Steel				G = Grade			

* Both control mount and adapter plate required for cup holder mount.

Copyright © 2025 Douglas Dynamics, LLC. All rights reserved. This material may not be reproduced or copied, in whole or in part, in any printed, mechanical, electronic, film, or other distribution and storage media, nor analyzed or manipulated in any manner for the purpose of training artificial intelligence technologies or systems, without the written consent of Western Products. In accordance with Article 4(3) of the Digital Single Market Directive 2019/790, Western Products expressly reserves this work from the text and data mining exception. Authorization to photocopy items for internal or personal use by Western Products outlets or equipment owner is granted.

Western Products reserves the right under its product improvement policy to change construction or design details and furnish equipment when so altered without reference to illustrations or specifications used. Western Products or the vehicle manufacturer may require or recommend optional equipment for snow removal. Do not exceed vehicle ratings with a spreader. Western Products offers a limited warranty for all equipment and accessories. See separately printed page for this important information. The following is a registered (®) trademark of Douglas Dynamics, LLC: WESTERN®.

Printed in U.S.A.
