



Fisher Engineering

50 Gordon Drive, Rockland, Maine 04841-2139 • www.fisherplows.com

44600-1, 44650-1

44675-1, 44685-1, 44695-1

44775-1, 44785-1, 44795-1

April, 1, 2026

Lit. No. 44226, Rev. 24

XTREMEV™

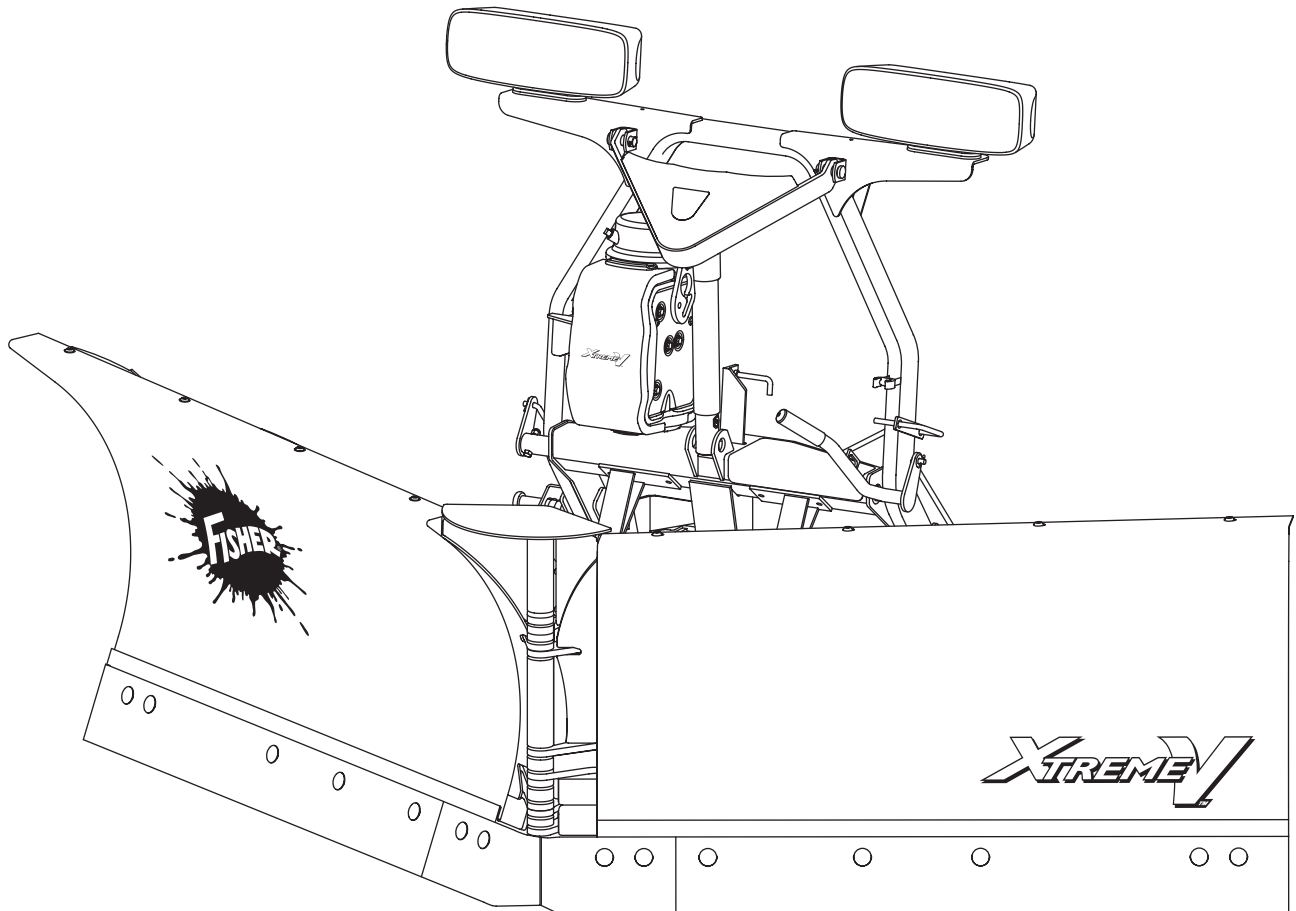


Minute²
SYSTEM

Blade and Off-Truck Kit

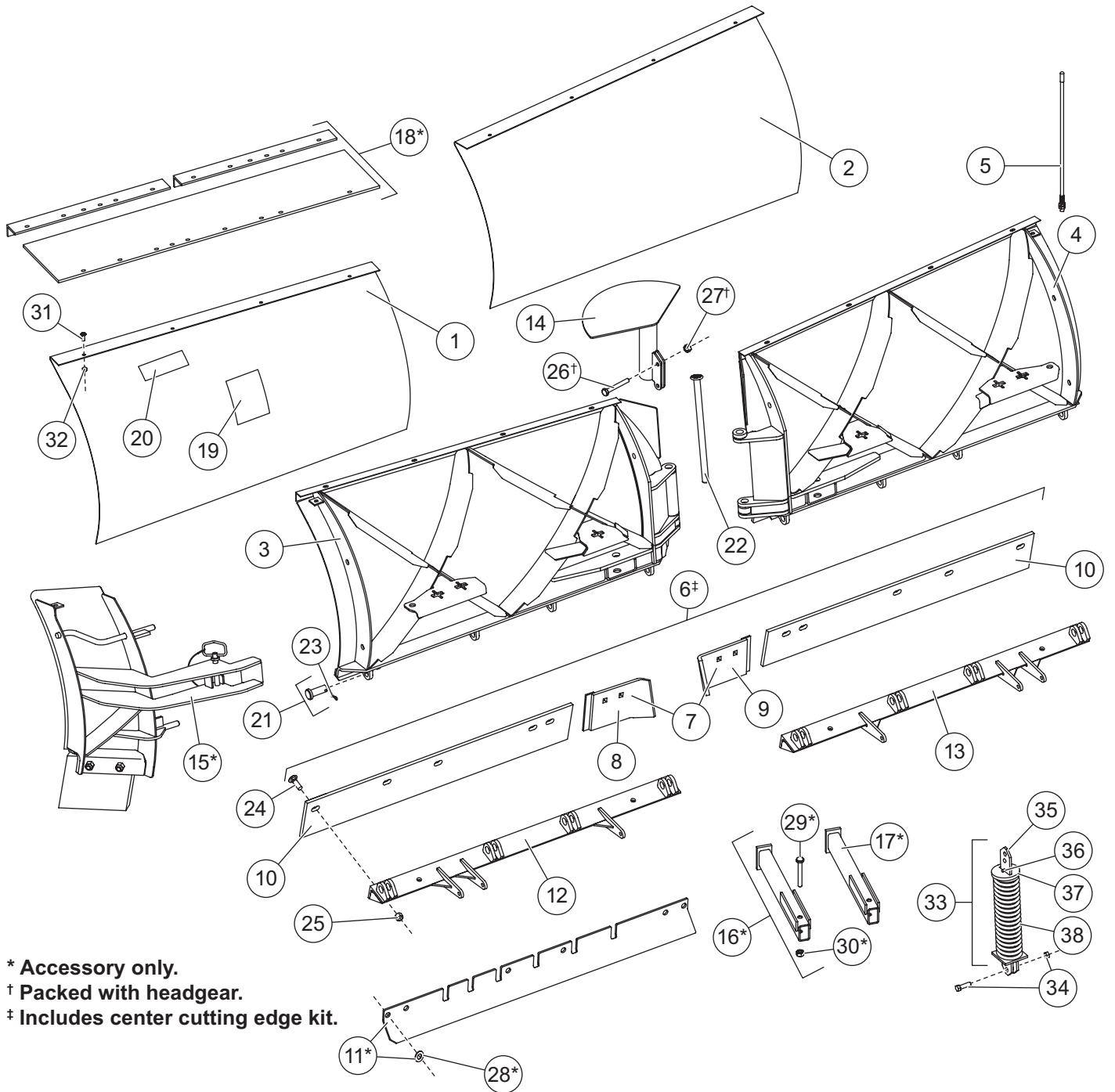
XtremeV™ Snowplow

Parts List



XtremeV™ BLADES	4
XtremeV OFF-TRUCK KITS	6
Headgear and T-Frame	6
Hydraulic Unit.....	8
Cover Assembly.....	10
Lift and Angle Rams	11
Hoses and Fittings	11
Electrical Components.....	12
Vehicle-Side Wiring Diagram.....	13
Headlamp Kit	14

Blade Components – 9'6" Shown



* Accessory only.

† Packed with headgear.

‡ Includes center cutting edge kit.

44600-1, 44650-1, 44675-1, 44685-1, 44695-1, 44775-1, 44785-1, 44795-1

44675-1/44685-1/44695-1/44775-1/44785-1/44795-1 XtremeV™ Blade Components							
Item	Description	Part Number					
		7'6" MS	7'6" SS	8'6" MS	8'6" SS	9'6" MS	9'6" SS
1	Moldboard Kit – DS	44820	44822	44824	44826	44828	44830
2	Moldboard Kit – PS	44821	44823	44825	44827	44829	44831
3	Frame, Base Angle & Springs – DS	44745		44746		44747	
4	Frame, Base Angle & Springs – PS	44748		44749		44750	
5	Flexible Blade Guide Set – 26"	27195					
6†	3/8" Cutting Edge Kit w/Fasteners	44740-2		44741-2		n/a	
	1/2" Cutting Edge Kit w/Fasteners	44742-2*		44743-2*		44744-2	
	5/8" Cutting Edge Kit w/Fasteners	–		85361*		85362*	
7	Center Cutting Edge Kit w/Fasteners	44894-1					
	5/8" Center Cutting Edge Kit w/Fasteners	85360*					
8	Center Cutting Edge – DS	44891-1					
	5/8" Center Cutting Edge – DS	85351*					
9	Center Cutting Edge – PS	44890-1					
	5/8" Center Cutting Edge – PS	85352*					
10	3/8" Cutting Edge	44896-1		44897		n/a	
	1/2" Cutting Edge	44996-1*		44997*		44898	
	5/8" Cutting Edge	–		85355*		85356*	
11*	Back Drag Edge Kit	44281-4		44282-5		44283-5	
12	Base Angle – DS	40340		40342		44110-1	
13	Base Angle – PS	40341		40343		44111-1	
14	Snow Control	44570				44571	
15*	Blade Wing Extension Kit	n/a		44610-1			
16*	Blade Stop Kit	44473					
17*	Outrigger	44036					
18*	Rubber Deflector Kit	44710					
19	Label – Warning/Caution, Snowplows	59900					
20	Label – STORM GUARD™ (MS Moldboards)	26211					
ns	Label – Splatter 13-1/4 x 14-1/2	20238					
ns	Label – Identity, XtremeV	44464					
ns	Universal Label Replacement Kit	28550*					

MS = Mild Steel

SS = Stainless Steel

ns = not shown

* Accessory only.

† Includes center cutting edge kit.

Springs and Fasteners											
Item	Part	Description	Qty			Item	Part	Description	Qty		
			7'6"	8'6"	9'6"				7'6"	8'6"	9'6"
21	27241	1 x 2-3/4 Clevis Pin w/Cotter	6	8	8	32		3/8-16 x 1 Hex Locknut			
22	44028	V-Plow Pivot Pin	1	1	1	91333		For Mild Steel Moldboards	8	8	8
23		1/4 x 1-3/4 Cotter Pin	8	8	8	95410		For Stainless Steel Moldboards	8	8	8
24		5/8-11 x 2 Carriage Bolt G5	14	14	14	33	21452	Removable Spring Assembly	4	4	6
25		5/8-11 Hex Locknut GB	14	14	14	34	40905	Shoulder Bolt w/Locknut	4	4	6
26†		3/8-16 x 1-1/4 Hex Cap Screw G5	2	2	2	35	21450	Removable Spring Bar	4	4	6
27†		3/8-16 Hex Locknut GB	2	2	2	36	20181	1/4 x 1-1/4 Pin	4	4	6
28*		5/8 Flat Washer Type A Narrow	14	14	14	37	20191	Removable Spring Disc	4	4	6
29*		1/2-13 x 4-1/2 Hex Cap Screw G5	2	2	2	38	5323	Trip Spring	4	4	6
30*		1/2-13 Hex Locknut GB	2	2	2	ns	44763	Bolt Bag – Cutting Edge Kits (one side – 5 sets of fasteners)	2	2	2
31		3/8-16 x 1 Button Cap Screw				ns	44790*	Bolt Bag – Rubber Deflector	1	1	1
	98043	For Mild Steel Moldboards	8	8	8						
	98035	For Stainless Steel Moldboards	8	8	8						

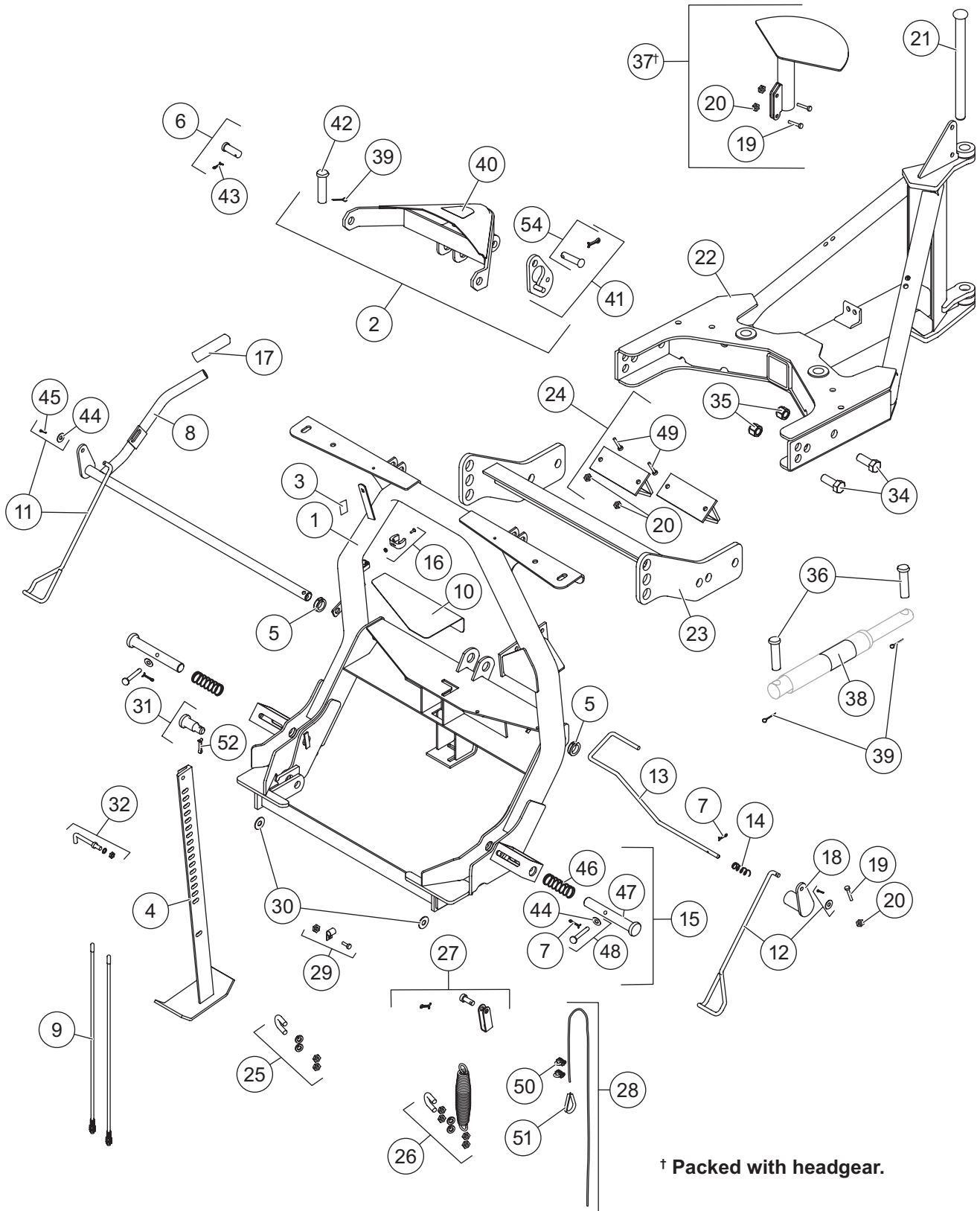
ns = not shown

G = Grade

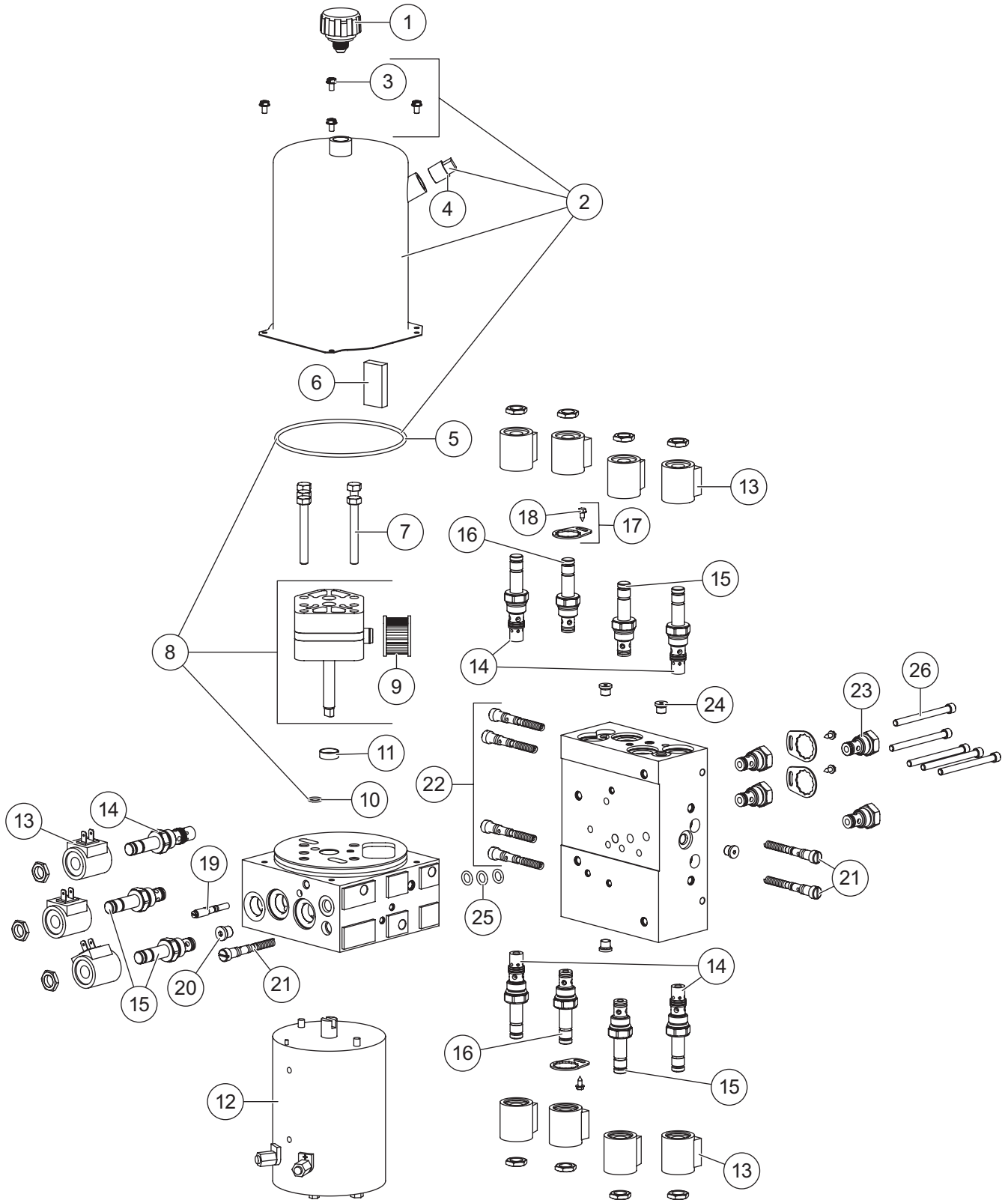
* Accessory only.

† Packed w/headgear

Headgear and T-Frame Components



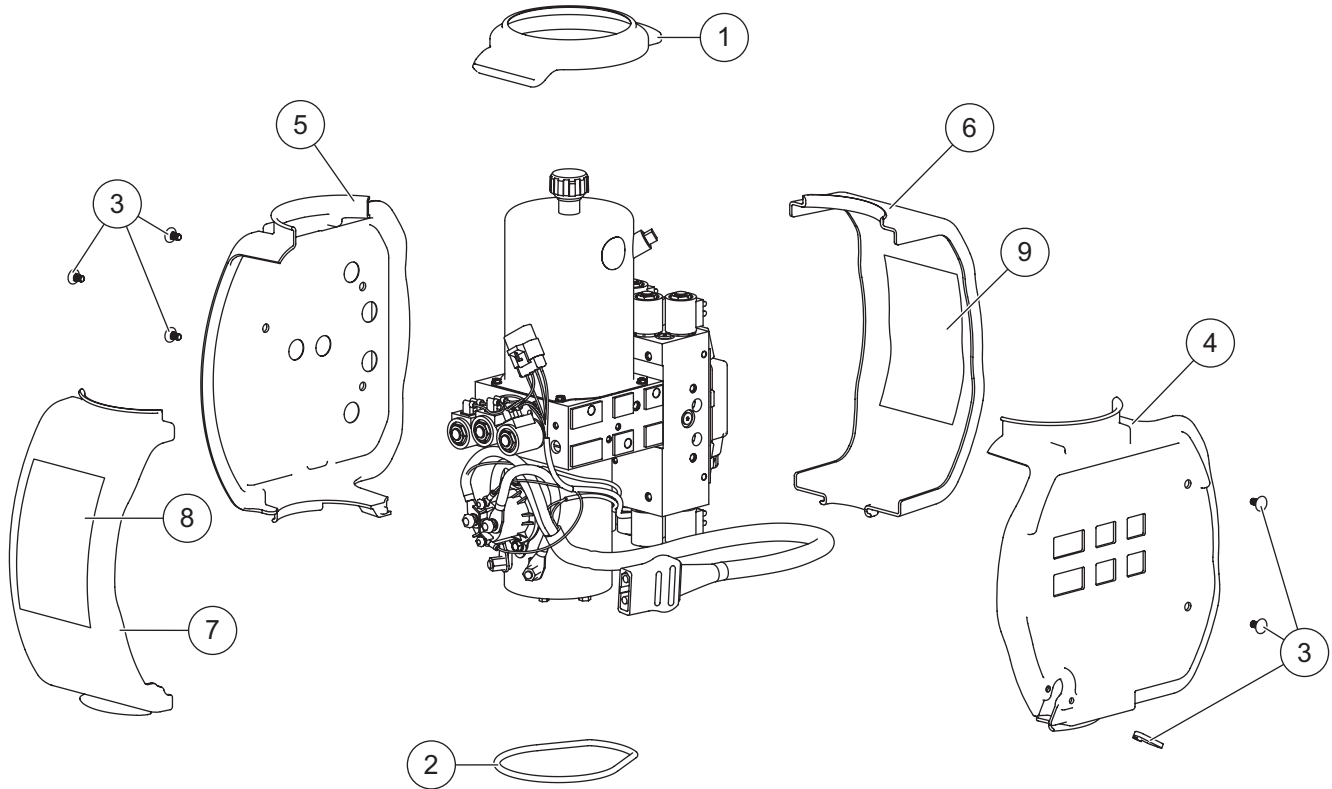
Hydraulic Unit Components



44600-1, 44650-1, 44675-1, 44685-1, 44695-1, 44775-1, 44785-1, 44795-1

44330 Hydraulic Unit XtremeV™							
Item	Part	Qty	Description	Item	Part	Qty	Description
1	21727-2	1	Breather Pressure Control	18		4	#8-18 x 3/8 Tapping Screw
2	44327-3	1	Reservoir Kit	19	56662	1	Quill Assembly 5/16-24 Thread
3		4	#10-24 x 5/16 Machine Screw		48517	1	Quill Assembly 1/2-20 Thread
4	92079	1	3/8 Plug NPTF Square	20	44344	1	7/16-20 Socket O-Ring Boss Plug
5	66519	1	O-Ring 2-250	21	7629K-4	1-1/2	Relief Valve Kit (2 sets)
6	73897	1	Magnet	22	44337	2	Relief Valve Kit (2 sets)
7		5	5/16-18 x 2-1/2 Hex Cap Screw G5	23	44333-1	4	Check Valve CV08-20
8	44329-2	1	Pump Kit	24	92960	4	3/8-24 Socket O-Ring Boss Plug
9	26781-4	1	Suction Filter	25	29077	3	O-Ring -110
10	56274	1	O-Ring -013	26		5	1/4-20 x 3 Socket Cap Screw
11	66515	1	Pump Shaft Seal	ns		2	1/4-20 x 1/4 Hex Washer-Head Thread-Rolling Screw
12	21500K-1	1	Motor Assembly, 4-1/2"	ns	44326	1	1/4-20 x 1/2 6-Lobe Round Washer-Head Screw (pkg of 5)
13	7639K-2	11	Coil with Spade Terminals	ns		2	1/4-20 x 5/8 Hex Washer-Head Thread-Rolling Screw
14	44331	5	Valve SVCV08-20 w/Nut				
15	7634K-2	4	Valve SV08-2004 w/Nut				
16	44335	2	Valve SF08-2015 w/Nut				
17	44369	4	Valve Lock Ring w/Screw				
O-Ring Service Kits							
-	7632K-5	-	Back-Up/O-Ring Kit (does not contain O-rings for cartridge valves)	-	49259-2	-	Seal Kit – Valves SV08-30, -31, -33, -40, -43, and SVCV 08-20
-	49258-2	-	Seal Kit – Valves SV08-2004, CV08-20, SF08-2015				
ns = not shown				G = Grade			

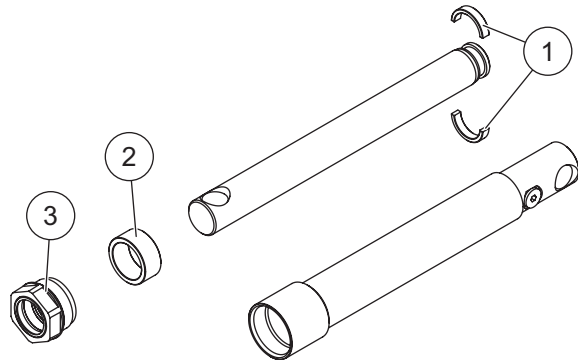
Hydraulic Unit Cover Assembly



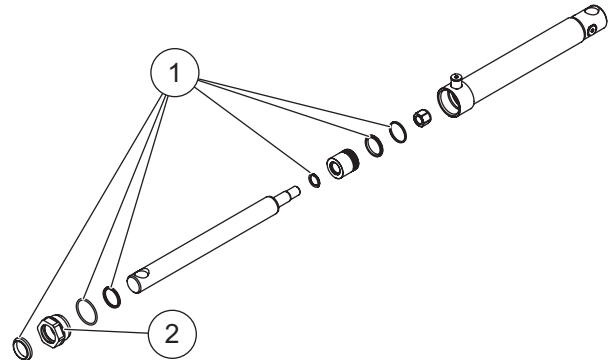
44324 Cover Assembly							
Item	Part	Qty	Description	Item	Part	Qty	Description
1	44352	1	Top Retainer Ring	6		1	Cover, Side 3
2	44366	1	Bottom Retainer Ring	7		1	Cover, Side 4
3	44326	1	1/4-20 x 1/2 6-Lobe Round Washer-Head Screw (pkg of 5) w/8" Cable Tie	8	44310	1	Label – Information (S1–S3)
4		1	Cover, Side 1	9	44319	1	Label – Information (S4–S11)
5		1	Cover, Side 2	ns	61536	1	Cable Tie 14"
				ns	44415	1	Label –Logo, XtremeV™

ns = not shown

Lift and Angle Ram Components

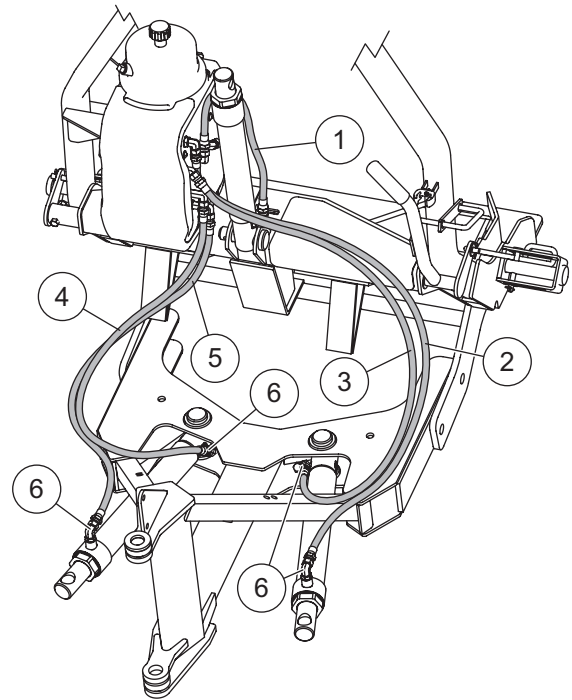
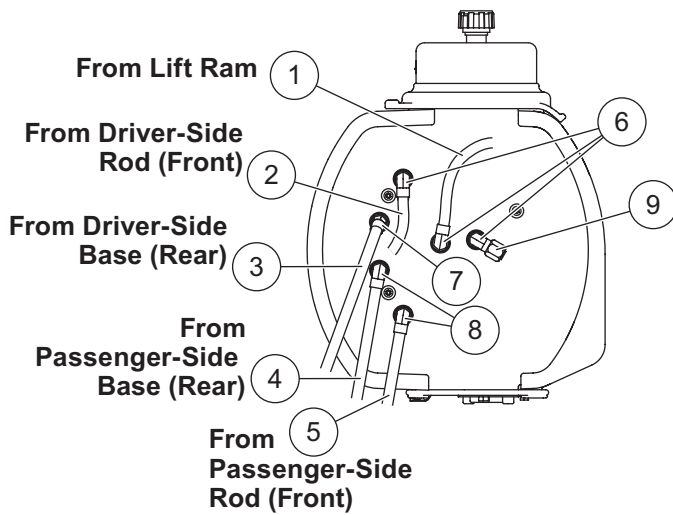


56600K Lift Ram Assembly 1-1/2 x 10			
Item	Part	Qty	Description
1	20118K	1	Split Bearing
2	56537	1	Spacer
3	48985	1	Gland Nut Assembly



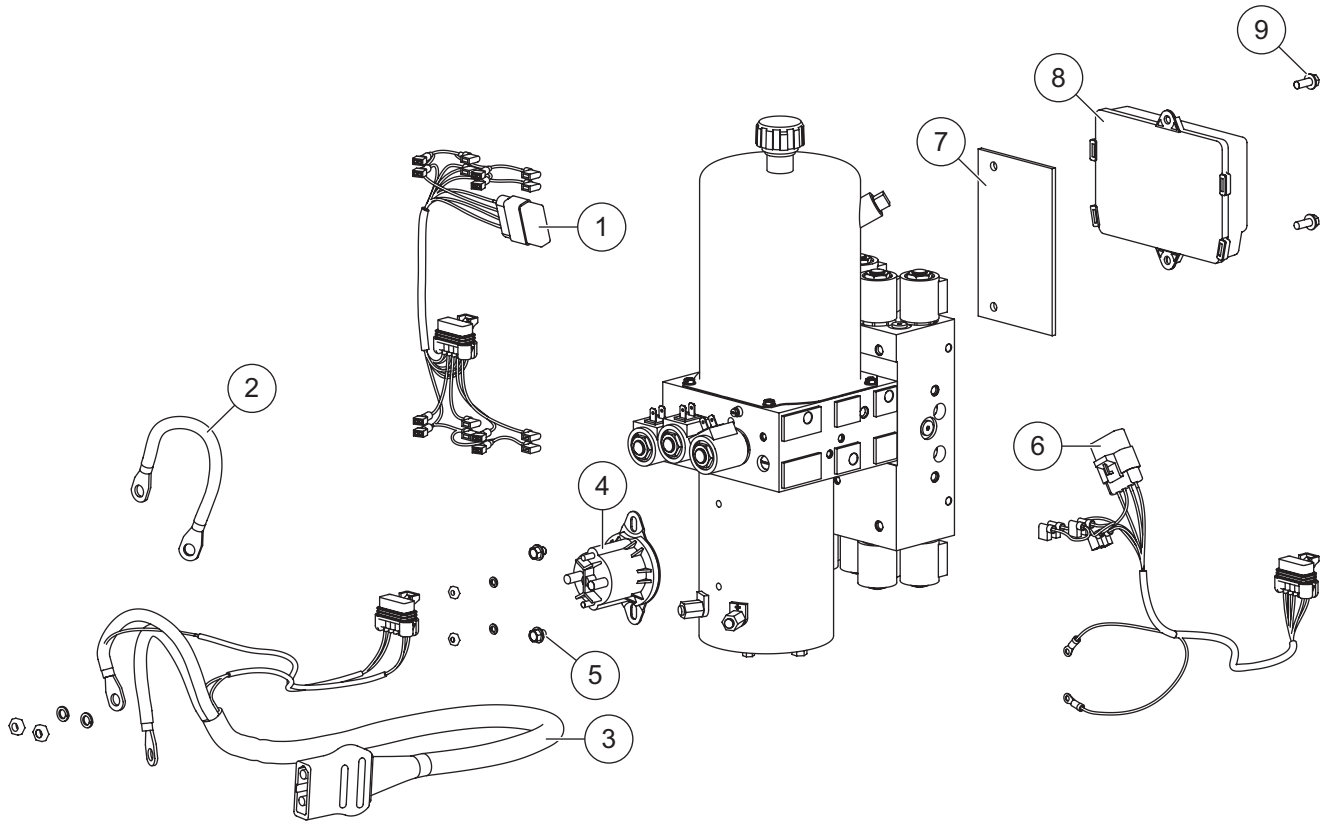
44340 Angle Ram Assembly 1-3/4 x 11 DA			
Item	Part	Qty	Description
1	44342	1	Seal Kit 1-3/4 DA Ram
2	48985	1	Gland Nut Assembly

Hoses and Fittings



Hoses and Fittings							
Item	Part	Qty	Description	Item	Part	Qty	Description
1	56592	1	Hose, 1/4 x 16 w/F JIC Ends	7	56726	1	Elbow, 45° -6 M JIC/-6 M ORB
2	56591	1	Hose, 1/4 x 42 w/F JIC Ends	8	44361	2	Elbow, Extra Long 90° -6 M JIC/-6 M ORB
3	44348	1	Hose, 3/8 x 42 w/F JIC Ends	9	44345	1	Drain Cap, -6 F JIC
4	44315	1	Hose, 3/8 x 38 w/F JIC Ends	ns	56823	2	Hose Wrap, Polyethylene
5	56599	1	Hose, 1/4 x 36 w/F JIC Ends	ns		3	3/8-16 x 1 Hex Cap Screw G5
6	56725	8	Elbow, 90° -6 M JIC/-6 M ORB				
F = Female		G = Grade		M = Male		ns = not shown	

Electrical Components

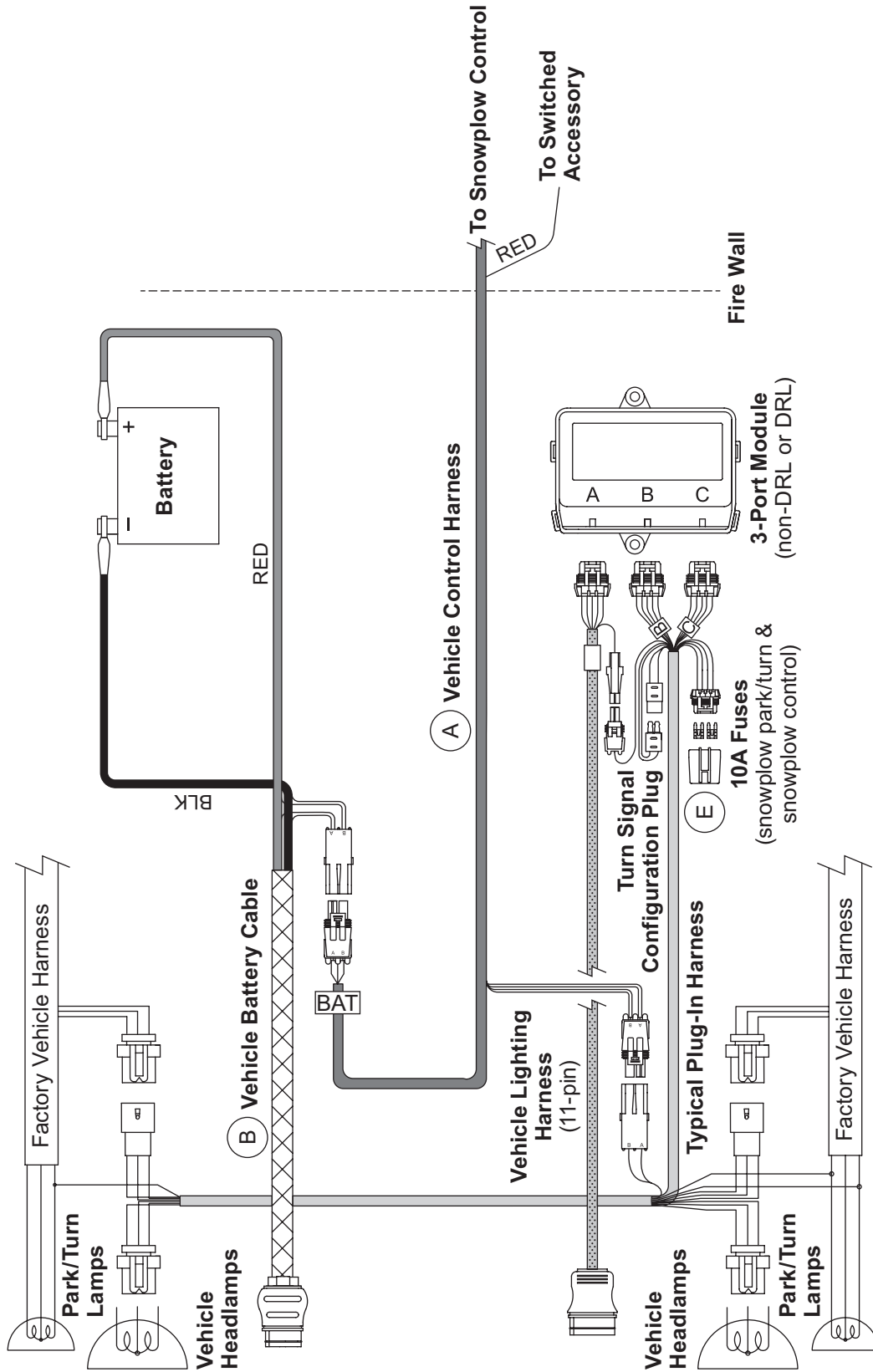


Plow-Side Electrical Components							
Item	Part	Qty	Description	Item	Part	Qty	Description
1	28583	1	Plow Control Harness, 8-Solenoid	8	44354-3	1	Plow Module
2	29071	1	Cable Assembly 8"	9		2	1/4-20 x 5/8 Hex Washer-Head Thread-Rolling Screw
3	42015	1	Snowplow Battery Cable				
4	42901	1	Motor Relay Kit FLEET FLEX System	ns	8284K	1	Cable Boot
5		2	1/4-20 x 1/4 Hex Washer-Head Thread-Rolling Screw	ns	8329K	2	Dielectric Grease (pkg of 2)
6	28581-1	1	Plow Control Harness, 3-Solenoid	ns		4	Fuse – 4A Mini Automotive-Style (for items 1 and 6)
7	44308	1	Spacer Module				
Vehicle-Side Electrical Components							
†	72527	1	Vehicle Battery Cable	ns	61548K	1	Plug Cover
†	28587	1	Vehicle Control Harness				

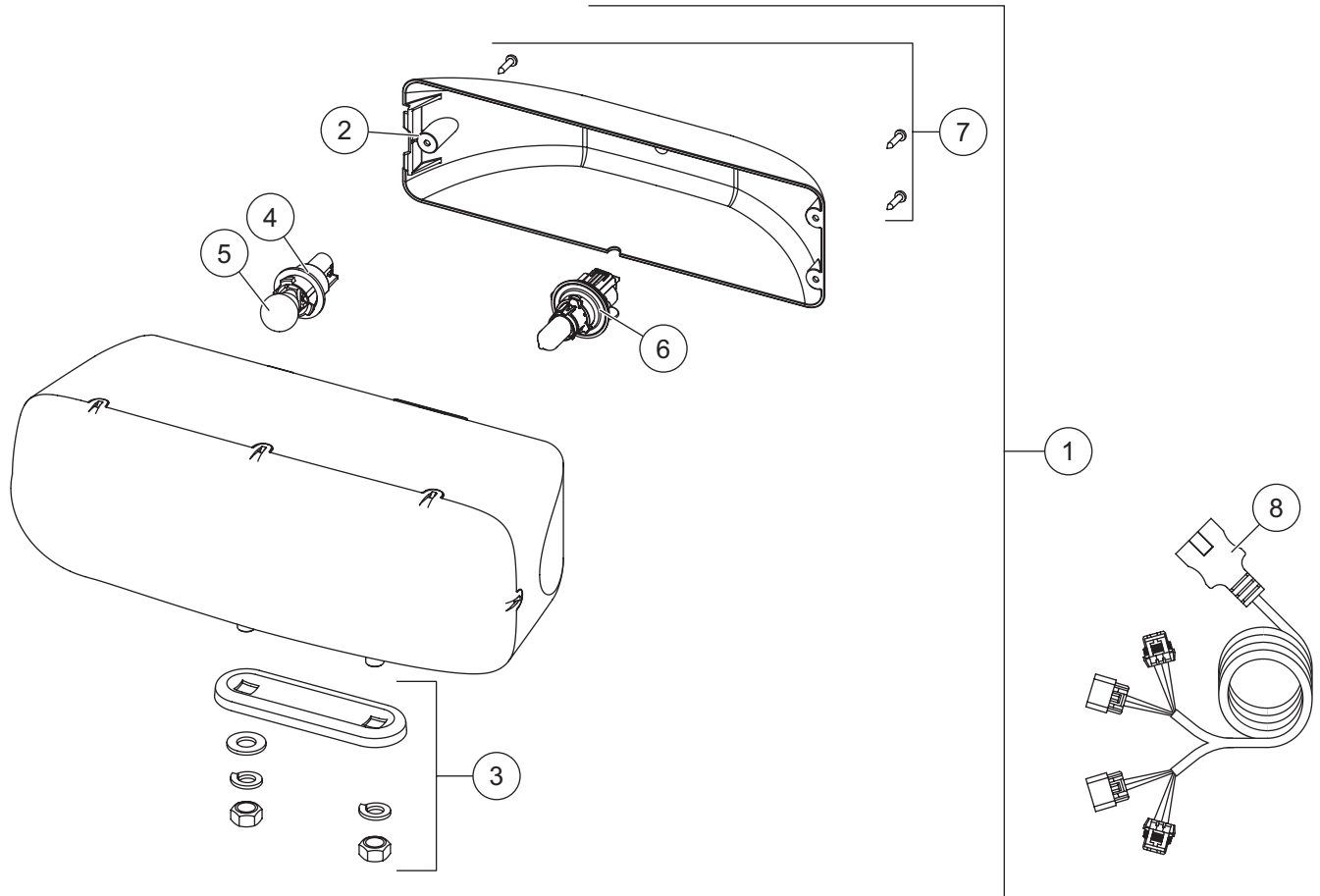
ns = not shown

† For diagram see Vehicle-Side Harness Diagram.

Vehicle-Side Harness Diagram



Headlamp Kit



28800-1 Headlamp Kit (pair)							
Item	Part	Qty	Description	Item	Part	Qty	Description
1	28802-1	1	Headlamp Service Kit – PS	5		2	Park/Turn Bulb (trade no. 4157NAK)
ns	28801-1	1	Headlamp Service Kit – DS	6	28806	2	Headlamp Bulb Service Kit H13
2	28803-1	2	Rear Cover Kit (fits 2- or 3-screw)	7	28808-1	2	Cover Screws Service Kit (pkg of 3)
3	28804	2	Mounting Hardware Kit	8	28213K	1	Harness Service Kit
4	28805	2	Park/Turn Socket Service Kit				

ns = not shown



Fisher Engineering
50 Gordon Drive
Rockland, ME 04841-2139
www.fisherplows.com

A DIVISION OF FISHER, LLC

Copyright © 2026 Douglas Dynamics, LLC. All rights reserved. This material may not be used, reproduced, or copied in any manner, in whole or in part, in any printed, mechanical, electronic, film, or other distribution and storage media, nor analyzed or manipulated in any manner for the purpose of training artificial intelligence technologies or systems, without the written consent of Fisher Engineering. In accordance with Article 4(3) of the Digital Single Market Directive 2019/790, Fisher Engineering expressly reserves this work from the text and data mining exception. Authorization to photocopy items for internal or personal use by Fisher Engineering outlets or equipment owner is granted.

Fisher Engineering reserves the right under its product improvement policy to change construction or design details and furnish equipment when so altered without reference to illustrations or specifications used. Fisher Engineering or the vehicle manufacturer may require or recommend optional equipment for snow removal. Do not exceed vehicle ratings with a snowplow. Fisher Engineering offers a limited warranty for all equipment and accessories. See separately printed page for this important information. The following are registered (®) or unregistered (™) trademarks of Douglas Dynamics, LLC: FISHER®, Minute Mount® 2, SECURITY GUARD™, STORM GUARD™, XtremeV™.

Printed in U.S.A.