

dupray

Instruction manual
Manuel d'utilisation
Manual de instrucciones



dupray

ORIGINAL INSTRUCTIONS

1-800-881-3990

(USA & CANADA)

01-800-877-0180

(MEXICO)

DUPRAY.COM



ENGLISH	01
FRANÇAIS	21
ESPAÑOL	41

TABLE OF CONTENTS

IMPORTANT SAFETY INSTRUCTIONS	03
FEATURES	05
SPECIFICATIONS	05
STEAM HOSE	07
HOW TO USE YOUR STEAM CLEANER	08
USING THE ACCESSORIES	11
MAINTENANCE	17
LIMITED WARRANTY	18
TROUBLESHOOTING	19
FOR MORE INFORMATION	61

IMPORTANT SAFETY INSTRUCTIONS

When using your steam cleaner, basic safety precautions should always be followed. Please read the following instructions carefully as they provide important information concerning how to install, use and care for your steam cleaner.

- THE FILLING APERTURE OF THE BOILER UNDER PRESSURE MUST NOT BE OPENED DURING USE. FOR INSTRUCTIONS ON HOW TO SAFELY OPEN DE BOILER CAP, PLEASE REFER TO PAGE 9. DO NOT OPEN THE BOILER IF UNDER PRESSURE.
- Use the steam cleaner only for its intended use.
- To protect against a risk of electric shock, do not immerse the steam cleaner in water or any other liquids.
- The steam cleaner should always be turned off before plugging it into or unplugging it from a wall outlet. Never pull the power cord to disconnect it from the outlet; instead grasp the plug and pull to disconnect.
- Do not let the power cord touch hot surfaces.
- Let the steam cleaner cool completely before putting it away.
- Wrap the power cord around the posts that are positioned in the rear of the steam cleaner when not in use.
- Do not operate the steam cleaner with a damaged cord, plug, safety device, hose, trigger gun or if the steam cleaner has been dropped or damaged. This will void any and all warranties. Please contact Dupray at 1-800-881-3990 (USA & Canada) or 01-800-877-0180 (Mexico) for repair procedure.
- Keep away from children.
- Do not leave the steam cleaner on while unattended.
- Do not use this unit in the presence of explosive and/or flammable fumes.
- Keep ventilation slots free of dust.
- Never drop or insert any object into the ventilation slots.
- To prevent overheating, unravel the electrical cord completely.
- Do not operate where aerosol (spray) products are being used or where oxygen is being administered.
- To disconnect, turn the main dial to the **OFF** position, then remove the plug from the main power.
- Never put your steam cleaner away while it is still hot. There is no need for emptying the water tank unless you intend to leave it unused for a long period of time.
- This product is intended for household use only. Follow all user instructions in this manual.
- Never pull the machine by the steam hose. Move the machine instead.
- Handle might get hot during use.
- Do not freeze.
- Do not use steam on electrical components.
- When using the steam cleaner on an uneven surface ensure the machine is blocked in place.
- Sound pressure levels do not exceed Lpa<70db (A).



WARNING: Do not use this machine in the presence of flammable liquids, dust or dusts that are hazardous to health.



WARNING: Operators shall be adequately instructed on the use of this steam cleaner.



CAUTION: This machine is for indoor use only.



CAUTION: RISK OF BURNS

This appliance produces steam at a very high temperature. The steam cleaner and its accessories can get very hot always use appropriate precautions. Avoid direct skin contact.

IMPORTANT WARNING

Steam is a powerful tool. Like any other tool, it should be used with caution. Certain surfaces, fabrics, materials and finishes are water and heat sensitive and can be damaged or discolored by steam. **ALWAYS** check with the manufacturer of the surface or product being cleaned before using steam. **TEST** a small, hidden surface to make sure the surface can be steamed.

DO NOT leave steam in one spot on any surface for any period of time with a wet cleaning cloth/pad attached as this will damage your floors.

DO NOT use on unsealed wood, on wood or tile floors that are highly worn, unfinished or have a wax or oil finish.

Surfaces that have been treated with wax or no-wax floors may be damaged by heat.

DO NOT use on leather, synthetic fabrics, velvet or other delicate, steam-sensitive materials.

DO NOT use the steam cleaner for any other purpose than what is described in the instructions manual.

In no event is Dupray liable for incidental or consequential damages to anyone, of any nature whatsoever. Some states/provinces do not permit the exclusion or limitation of incidental or consequential damages, so the above may not apply to you.

ELECTRICAL INSTRUCTIONS

To avoid a circuit overload, do not operate another high-wattage appliance on the same circuit simultaneously with the steam cleaner.

If an extension cord is necessary, a 15-amp rated cord with a 3-prong grounded plug should be used.

Cords rated for less may overheat and cause damage.

3-PRONG GROUNDED PLUG

This system features a 3-prong grounded plug. As a safety feature, this plug will only fit into a grounded outlet.

If the plug does not fit fully into the power outlet, contact a qualified electrician. Do not attempt to defeat this safety feature.

WATER INSTRUCTIONS

Your steam cleaner has been designed for use with normal tap water. In order to extend the life of this product, if the water is very hard where you live, we recommend using 50% normal tap water combined with 50% distilled water.



IMPORTANT: *Never put anything else other than water in the boiler.*

FEATURES

- ELECTRICAL CORD 1
- BOILER CAP 2
- STEAM HOSE CONNECTION OUTLET 3

SPECIFICATIONS

STEAM TEMPERATURE	STEAM PRESSURE	HEATING TIME	WATTAGE	VOLTAGE	AMPERAGE	BOILER CAPACITY	WEIGHT
150°C 303°F	3.5 BAR 50.8 PSI	10 MINUTES	1200 - 1400 W	110 - 120 V	12 A	1.15 L 0.3 GAL	4.7 KG 10.5LBS





4 PRESSURE GAUGE

5 POWER INDICATOR

OFF

This position will shut off the power to the heating elements.
Select this position to exhaust all the steam from the boiler.

BOILER ACTIVATION 

Turn the main dial to this position to activate the heating of the water
inside the boiler and start the production of steam.

6 MAIN DIAL

7 STEAMREADY™ INDICATOR 

Let you know when the steam cleaner is operating at optimal pressure
and ready to use.

8 LOW WATER INDICATOR 

This red warning light signals that the water needs to be refilled.
If you wish to continue steam cleaning, see the “Refilling with water”
instructions on page 09.

STEAM HOSE

CHILDPROOF SAFETY LOCK

STEAM RELEASE TRIGGER

VARIABLE PRESSURE CONTROL

Select the steam pressure from minimum (-) to maximum (+).



STEAM HOSE CONNECTOR

 **WARNING:** This hose contains electrical connections, do not immerse in water for cleaning.

HOW TO USE YOUR STEAM CLEANER

FILLING WITH WATER


Remove the boiler cap (2) and fill between **700ml (23 oz) and 1L (34 oz)** of water in the boiler. Use the provided funnel if needed. The more water you put in, the more humidity will be contained in the steam. The more space you leave for steam, the drier it will be. Do not put more water than the recommended quantity. Securely replace the boiler cap.

⚠ IMPORTANT: *Do not overfill with water. Leave space for steam!*

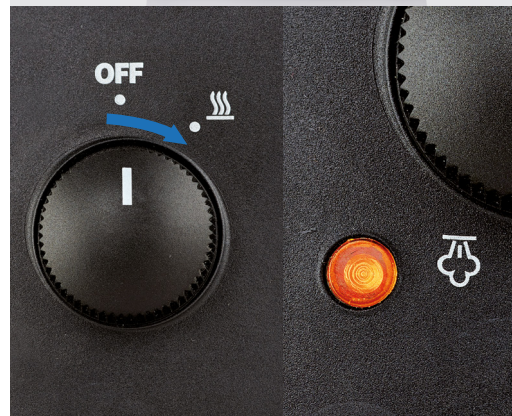
PLUGGING IN THE MACHINE

Unravel completely the electrical cord. Connect the electrical cord to a **15 or 20 amp 110V / 120V** power outlet (make sure the circuit is not already used by another high wattage appliance).

TURNING THE MACHINE ON

Turn the main dial to the  position. At this position the orange SteamReady™ indicator will come on when the unit reaches operating pressure, after approximately 10 minutes of heating time.

During use, the orange SteamReady™ indicator will turn on and off. This is normal, and indicates that steam is being generated in the boiler.



CONNECTING THE STEAM HOSE

Connect the steam hose by inserting the steam hose connector in the steam hose connection outlet and press firmly. Make sure it cannot be pushed in any further and that the locking pin on the flap is in place.

! **IMPORTANT:** Make sure the locking pin on the flap is inserted in the hose connection.

ADJUSTING THE STEAM PRESSURE

Adjust the desired steam pressure using the steam pressure regulator wheel located on the hose handle, from minimum (-) to maximum (+). Connect the accessory that you want to use to the steam hose. To release steam, simply press the steam release trigger on the hose handle.



REFILLING WITH WATER

When steam runs out or if the low water indicator (8) comes on during usage and you would like to continue using the steam cleaner, you will need to follow these steps:



Turn the main dial to the OFF position (this shuts off the power to the heating element).




Hold the steam release trigger on the handle until all the steam has evacuated the steam cleaner (the pressure gauge must be at zero).



When there is no more steam, wait 10 minutes for the boiler to cool down.



Open the boiler cap slowly and refill the steam cleaner with **700ml (23 oz) to 1L (34oz)** of water. Refasten the boiler cap, turn the main dial to the  position and wait for the SteamReady™ indicator to turn on.

! **IMPORTANT:** Do not overfill. Leave space for steam !

! **WARNING:** If all steam pressure has not been released, steam may escape from the cap when opening, use caution.

TURNING THE MACHINE OFF

When you are done using your steam cleaner, turn the main dial to the **OFF** position and unplug the unit.

STORING YOUR STEAM CLEANER

It is safe to leave water in the boiler when the steam cleaner is not in use.

If it is for an extended period of time (months), then it is best to flush out the remaining water.

To do so, follow the water removal instructions as outlined in the maintenance of the boiler section on page 17.

⚠ CAUTION: *This machine shall be stored indoors only.*



USING THE ACCESSORIES

CONNECTOR

The connector is used to attach the triangular tool or the rectangular tool to the extension tubes or the steam hose.

POSITION 1 - ASSEMBLY

Installing the connector

- Slide the white lever to the first position (*Assembly*).
- Insert the connector sideways, aligning the two white arrows.
- Rotate the connector to align the arrow with the white dot on the tool.

Removing the connector

- Align the white dot with the arrow on the connector.
- Slide the white lever to the first position (*Assembly*).
- Rotate the connector to align the two white arrows.
- Pull out the connector.





POSITION 2 - LOCKED

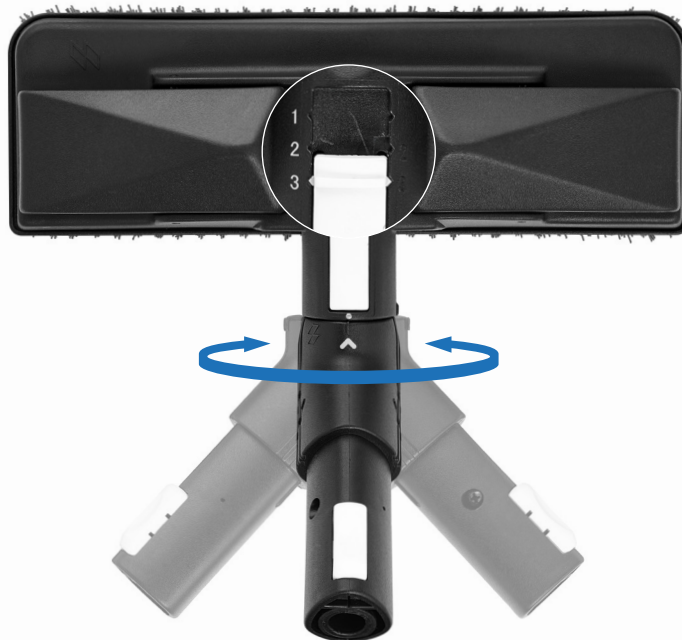
Slide the white lever to the second position (*Locked*) to prevent the tool from rotating.

i Make sure the arrow on the connector and the dot on the tool are aligned before sliding the white lever.

POSITION 3 - ROTATION

Slide the white lever to the third position (*Rotation*) to allow the tool to rotate.

i Make sure the arrow on the connector and the dot on the tool are aligned before sliding the white lever.



TRIANGULAR TOOL

The triangular tool is the best tool to disinfect. Use it with the microfiber cloth or the microfiber bonnet to insulate steam and provide a higher steam temperature to disinfect. The microfiber cloth or microfiber bonnet will also pick up dirt as you clean. Use the connector to attach the triangular tool to the steam hose or extension tubes. The bristles are made of a soft nylon to be delicate and safe on most surfaces. With steam these bristles quickly lose their original shape. This is perfectly normal. You can continue to use the brushes until the bristles are worn out.



RECTANGULAR TOOL

The rectangular tool is used to clean floors, walls, and carpets. Use it with the microfiber cloth or the rectangular tool microfiber bonnet to insulate steam and provide a higher steam temperature to disinfect. The microfiber cloth or microfiber bonnet will also pick up dirt as you clean. Use the connector to attach the rectangular tool to the extension tubes or the steam hose. The bristles are made of a soft nylon to be delicate and safe on most surfaces. With steam these bristles quickly lose their original shape. This is perfectly normal. You can continue to use the brushes until the bristles are worn out.



MICROFIBER CLOTH

The microfiber cloth is used to pick up dirt as you clean. It will also help insulate the steam to reach a higher steam temperature.

Use it on the triangular tool, the rectangular tool or to wipe off dirt after you steam with the lance. Machine washable.



[ORDER MORE ON DUPRAY.COM](https://www.dupray.com)

! **IMPORTANT:** Always respect the surface that you are cleaning, adhere to the surface cleaning instructions.
Do a colour test on a hidden section before you begin cleaning.

HOW TO INSTALL THE MICROFIBER CLOTH ON THE TRIANGULAR TOOL

FIRST, place the triangular tool on the center of the microfiber cloth.



THEN, wrap the edges of the cloth around the tool and secure it under the clips.



WELL DONE.



HOW TO INSTALL THE MICROFIBER CLOTH ON THE RECTANGULAR TOOL

FIRST, fold the edges of the microfiber cloth.



THEN, place the rectangular tool on the center of the microfiber cloth. Secure the microfiber cloth under the clips.



WELL DONE.



TRIANGULAR TOOL MICROFIBER BONNET

The microfiber bonnet is used with the triangular tool to pick up dirt as you clean. It will also insulate steam and provide a higher steam temperature to disinfect.



RECTANGULAR TOOL MICROFIBER FLOOR BONNET

The microfiber bonnet is used with the rectangular tool to pick up dirt as you clean. It will also insulate steam and provide a higher steam temperature to disinfect.



WINDOW TOOL

The window tool makes cleaning windows easy. Use the foam side to scrub the window and flip the tool to wipe the dirt and condensation off using the squeegee. Wipe corners with a cloth.

⚠ CAUTION: During cold weather, warm up the windows with the window tool from a 2"-4" distance and with very little steam flow before starting the actual cleaning (to prevent possible damage to the window).



PLUNGER TOOL

The plunger tool is used to unclog drains. Attach the plunger tool to the lance, place the tool firmly on the drain and blow steam inside the drain for a few seconds. Steam will melt away grease and remove odors.



EXTENSION TUBES

Connect the steam hose to the extension tubes, pressing the locking button lightly until the button snaps in.

You may connect any accessory to one or two extension tubes to extend your reach.



LANCE

Use the lance alone to clean surfaces that are difficult to reach and prone to scratches, for example stainless steel or enamel. Use it with the nylon brush (least abrasive) or the brass brush for additional scrubbing action. Always be careful when using the brushes to prevent damage or scratching.



SMALL BRUSHES

SMALL NYLON BRUSH

The small nylon brush, because of its softness, is ideal for cleaning grout, sink, or any surface requiring light scrubbing action. The bristles are made of a soft nylon to be delicate and safe on most surfaces. With steam these bristles quickly lose their original shape. This is perfectly normal. You can continue to use the brushes until the bristles are worn out.



SMALL BRASS BRUSH

Tougher cleaning jobs might require the use of the small brass brush. For surfaces where dirt cannot be removed by the nylon brush carefully, using the brass brush may give better results.



[ORDER MORE ON DUPRAY.COM](https://www.dupray.com)

! **IMPORTANT:** Always respect the surface that you are cleaning, adhere to the surface cleaning instructions
Do a colour test on a hidden section before you begin cleaning.

MAINTENANCE

CLEANING THE BOILER

To maintain your steam cleaner in good condition and to ensure constant performance, we recommend that you periodically clean the boiler **after every 20 hours of use or less depending on water hardness.**

1. Before cleaning the boiler, please make sure that the boiler is at room temperature, that it has not been used for at least 8 hours, and that the steam cleaner is disconnected from the power source.
2. Unscrew and remove the boiler cap (2). Turn the steam cleaner over and empty all the remaining water from the boiler.
3. Using the provided funnel, refill the boiler with equal parts of water and white vinegar (for a maximum of **700ml or 23 oz**) and leave the boiler cap open. Let sit overnight.
4. Drain the boiler, and rinse thoroughly with clean water.
5. Refer to page 08 for instructions on how to refill and turn on the machine.



ATTENTION: It is not recommended that you use any other chemical to clean this product. Doing so will automatically void the warranty.

O'RINGS

If the attachment connections dry up after intensive use, put a small amount of lubricant (Vaseline) around the O-rings on the male attachment.

LIMITED WARRANTY

3-YEAR
LIMITED
WARRANTY

LIFETIME
WARRANTY
ON BOILER

- For a period of twelve (12) months following the purchase of the Product (the “Warranty period”), if the Client has used the Product under normal use and in strict conformity with the instructions and/or manual of operations provided by Dupray and discovers any defects in material or workmanship and notifies Dupray in writing thereof during the Warranty period, Dupray shall use reasonable commercial efforts to repair or replace that portion of the Product found by Dupray to be defective in material or workmanship or refund the purchase price of the Product or replace the Product or a portion of same. If the product is not repairable, a refurbished equivalent product, or a replacement equivalent product or a store gift certificate equivalent to the current value towards the purchase of a new product will be issued. If Dupray exchanges the Covered Equipment, the original product becomes Dupray’s property and the replacement product is your property, with coverage effective for the remaining time of the Warranty period.
- For the Warranty period starting twelve (12) months after the purchase of the product to a maximum of thirty-six (36) months after the purchase of the product, the Warranty shall cover parts only, excluding accessories, shipping and handling costs. During that period, Dupray reserves the right to charge a Service fee for all Warranty claims, in order to repair or replace the defective Product with a replacement product that is new or equivalent to new in performance and reliability. All replacement products provided under this Warranty will at a minimum be functionally equivalent to the original product.

Detailed Service fees are available at: dupray.com/servicefees

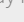
THE WARRANTY IS VOID:

- A) if the damages a result of an accident, abuse, freezing, impact, alteration, non authorized usage, a major force, or use of other electricity than that indicated on the Product;
 - B) if the product was used with other substances besides water in the water chamber;
 - C) if repairs, modifications, or alterations were done by a person not authorized by Dupray;
 - D) the owner or user neglected to do routine maintenance required and the damages or problems are directly related to such neglect. It is the Client’s responsibility to keep equipment in proper condition and to use exclusively Dupray cleaning products so as to not damage the internal components;
- Dupray offers a lifetime warranty on boilers and a lifetime telephone support.
 - It is understood that certain parts of the equipment are not covered by the Dupray warranty due to the fact they require replacement after multiple use. Such parts include, but are not limited to, buttons, hoses, seals, etc. These parts will eventually require replacement at the Client’s cost.
 - Dupray makes no warranty or representation that the Product complies with any local laws, rules or regulations and Client shall be responsible for obtaining all permits or authorizations required by any regulatory body for installation or use of the Product.
 - DUPRAY MAKES NO OTHER WARRANTIES OR CONDITIONS AND THE WARRANTY STATEMENT IS IN LIEU OF ALL OTHER WARRANTIES, REPRESENTATIONS, PROMISES, OR CONDITIONS, EXPRESSED OR IMPLIED, INCLUDING, BUT NOT LIMITED TO, THE IMPLIED WARRANTIES OF MERCHANTABILITY AND FITNESS FOR A PARTICULAR PURPOSE. DUPRAY EXPRESSLY DISCLAIMS ALL WARRANTIES AND CONDITIONS NOT STATED HEREIN. ANY IMPLIED WARRANTIES AND CONDITIONS THAT MAY BE IMPOSED BY LAW ARE LIMITED IN DURATION TO THE WARRANTY PERIOD. DUPRAY’S LIABILITY FOR WARRANTY CLAIMS IS LIMITED TO REPAIR OR REPLACEMENT AS SET FORTH HERE IN.
 - The Client understands that it shall strictly comply with the operation instructions or manual provided by Dupray in relation to the Product. FAILURE TO DO SO SHALL EXONERATE DUPRAY FROM ANY WARRANTY AND LIABILITY WHATSOEVER.
 - This warranty is to benefit the original purchaser of the product. The warranty is not transferable beyond the original purchaser.
 - Dupray may subcontract or assign performance of its Warranty obligations to third parties.
 - Dupray is not responsible for any failures or delays in performing under the Warranty that are due to events outside Dupray’s reasonable control.
 - This warranty does not cover machines used for rental purposes.

TROUBLESHOOTING

Do not operate the steam cleaner with a damaged cord, plug or if the steam cleaner has been dropped or damaged. To avoid risk of electric shock, do not disassemble or attempt to repair the unit on your own. Return the unit to Dupray for examination, repair or replacement. All service is to be performed by authorized professionals of Dupray service centers.

PROBLEM	POSSIBLE CAUSE	REMEDY
No steam is released through the hose or accessories.	<ul style="list-style-type: none"> A. Steam cleaner is not turned on. B. Water tank is empty. C. Unit is not plugged in. D. Boiler is not fully heated. E. The hose is not properly connected. 	<ul style="list-style-type: none"> A. Follow the instructions on page 08. B. Put up to 1L (34 oz) of water into the boiler. C. Plug unit into outlet. D. Wait for the SteamReady™ indicator (7) to turn on. E. Make sure you push the hose in all the way and insert the locking pin in place.
Drops of water leak from the attachments.	<ul style="list-style-type: none"> A. Unit is not fully heated. B. Condensation was created from non-use. C. O-rings need to be replaced. 	<ul style="list-style-type: none"> A. Wait for the SteamReady™ indicator (7) to turn on. B. Let water run through system until steam comes out. C. Replace O-rings.
Dirty water is coming out.	<ul style="list-style-type: none"> A. Scale may have built up. 	<ul style="list-style-type: none"> A. Follow maintenance instructions on page 17.
Not enough steam pressure.	<ul style="list-style-type: none"> A. The variable pressure control on the handle may be set too low. B. Scale may have built up. 	<ul style="list-style-type: none"> A. Turn the variable pressure control wheel until the desired pressure is reached. B. Follow maintenance instructions on page 17.
The steam is too wet.	<ul style="list-style-type: none"> A. There is too much water inside the boiler. 	<ul style="list-style-type: none"> A. Let the steam come out until it is dry.

PROBLEM	POSSIBLE CAUSE	REMEDY
Pressure is dropping during operation.	A. Pressure set to max for too long.	A. Use lower pressure setting.
Machine is not heating.	A. Out of water (light may not be on). B. Steam cleaner is OFF.	A. Follow the instructions on page 08. B. Turn to  setting.
The electrical cord is damaged.	A. Replace power cord.	A. Contact Dupray at 1-800-881-3990 (USA & Canada) or 01-800-877-0180 (Mexico) for replacement.
The hose keeps falling out of the connection outlet.	A. The hose is not properly connected.	A. Make sure you push the hose in all the way and ensure the locking pin is in place.
The white lever on the rectangular or triangular tool cannot change position.	A. The arrow on the connector and the dot on the tool are not lined up.	A. Rotate the connector so that the arrow on the connector and the dot on the tool line up. Slide the white lever to the correct position.

dupray

1-800-881-3990
(É.-U. & CANADA)

01-800-877-0180
(MEXIQUE)

DUPRAY.COM



ENGLISH	01
FRANÇAIS	21
ESPAÑOL	41

TABLE DES MATIÈRES

IMPORTANTES MESURES DE SÉCURITÉ	23
CARACTÉRISTIQUES	25
SPÉCIFICATIONS	25
TUYAU VAPEUR	27
COMMENT UTILISER VOTRE NETTOYEUR VAPEUR	28
UTILISATION DES ACCESSOIRES	31
ENTRETIEN	37
GARANTIE LIMITÉE	38
DÉPANNAGE	39
INFORMATIONS SUPPLÉMENTAIRES	61

IMPORTANTES MESURES DE SÉCURITÉ

Ces mesures de sécurité importantes doivent toujours être respectées lorsque vous utilisez votre nettoyeur vapeur. Veuillez lire attentivement les instructions suivantes car elles fournissent des informations importantes concernant l'installation, l'utilisation et l'entretien de votre nettoyeur vapeur.

- LE BOUCHON DE LA BOUILLLOIRE SOUS PRESSON NE DOIT PAS ÊTRE OUVERT DURANT L'UTILISATION. POUR OUVRIR LE BOUCHON DE LA BOUILLLOIRE DE MANIÈRE SÉCURITAIRE, RÉFÉREZ-VOUS À LA PAGE 29. N'OUVREZ PAS LA BOUILLLOIRE LORSQU'ELLE EST SOUS PRESSON.
- Utilisez le nettoyeur vapeur uniquement pour son utilisation prévue.
- Pour éviter tout risque de décharge électrique, ne pas submerger le nettoyeur vapeur dans de l'eau ou tout autre liquide.
- Le nettoyeur vapeur doit toujours être éteint avant de le brancher ou le débrancher d'une prise murale. Ne jamais tirer sur le cordon d'alimentation pour le débrancher de la prise, empoignez plutôt la fiche et tirez pour débrancher.
- Ne laissez pas le cordon d'alimentation toucher des surfaces chaudes
- Enroulez le cordon d'alimentation à l'arrière du nettoyeur vapeur lorsqu'il n'est pas utilisé.
- Ne faites pas fonctionner le nettoyeur vapeur avec un cordon, une prise, dispositif de sécurité, tuyau ou bouton de relâche de vapeur endommagés, ou si l'appareil a été échappé ou endommagé. Ceci mettra fin à la garantie. S'il vous plaît contactez Dupray au 1-800-881-3990 (É.-U. & Canada) ou au 01-800-877-0180 (Mexique) pour la procédure de réparation.
- Gardez hors de portée des enfants.
- N'utilisez pas l'appareil en présence d'explosifs et/ou de vapeurs inflammables.
- Gardez les fentes de ventilation sans poussière.
- Évitez de laisser tomber ou d'insérer un objet dans les fentes de ventilation.
- Afin de prévenir la surchauffe, déroulez complètement le cordon électrique.
- Ne faites pas fonctionner l'appareil en présence de produits en aérosol (vaporisateurs) ou si de l'oxygène sous pression est utilisé.
- Pour débrancher, tournez l'interrupteur principal à la position **OFF** (arrêt) puis retirez la fiche d'alimentation principale.
- Ne rangez jamais votre nettoyeur vapeur lorsqu'il est encore chaud.
- Il n'est pas nécessaire de vider le réservoir à moins que vous prévoyiez ne pas l'utiliser pour une longue période.
- Ce produit a été conçu seulement pour un usage domestique. Suivez bien toutes les instructions de ce manuel.
- Ne jamais tirer la machine en empoignant le tuyau, utilisez plutôt la poignée de la machine.
- Ne pas exposer l'appareil à des températures sous le point de congélation.
- N'appliquez pas de vapeur sur des composantes électriques.
- La poignée de la machine peut devenir très chaude durant l'utilisation.
- Lorsque vous utilisez le nettoyeur vapeur sur une surface inégale, assurez-vous que l'appareil soit stable et bien en place.
- Le niveau sonore de cet appareil n'excède pas lpa <70db (A).



AVERTISSEMENT : Ne pas utiliser cet appareil en présence de liquides inflammables ou de poussières dangereuses pour la santé.



ATTENTION : Cet appareil est conçu pour être utilisé à l'intérieur seulement.



ATTENTION : RISQUE DE BRÛLURES

Cet appareil produit de la vapeur à très haute température. Le nettoyeur vapeur et ses accessoires peuvent devenir très chauds, prenez toujours les précautions nécessaires. Évitez tout contact direct avec la peau.



AVERTISSEMENT : Les utilisateurs doivent être formés adéquatement pour manipuler ce nettoyeur vapeur.

MISE EN GARDE IMPORTANTE

La vapeur est un outil de nettoyage très puissant, et comme tout autre outil, elle doit être utilisée avec prudence. Certains tissus, surfaces, matériaux et finis sont sensibles à l'eau et à la chaleur et peuvent être endommagés ou décolorés par la vapeur. Vérifiez **TOUJOURS** auprès du fabricant s'il est possible d'utiliser de la vapeur sur la surface ou le produit à nettoyer. **TESTEZ** une petite partie dissimulée de la surface afin de vous assurer qu'elle peut être nettoyée à la vapeur.

NE PAS laisser la vapeur au même endroit sur une surface pour quelque durée que ce soit si un linge humidifié est attaché à la machine; la vapeur abîmera vos planchers.

NE PAS utiliser sur des planchers de bois non scellés, des planchers de bois ou des carrelages extrêmement usés, bruts ou à la finition huilée ou cirée. Les surfaces traitées à la cire ou les revêtements de sol sans cirage risquent d'être endommagés par la chaleur.

NE PAS utiliser sur le cuir, les tissus synthétiques, le velours ou tout autre tissu délicat et sensible à la vapeur.

NE PAS utiliser le nettoyeur vapeur à d'autres fins que celles prescrites dans le mode d'emploi.

En aucun cas Dupray ne pourra être tenue responsable des dommages accessoires ou indirects, de quelque nature que ce soit, causés à quiconque. Certains États et provinces n'autorisent pas l'exclusion ou la restriction des dommages accessoires ou indirects. Ce qui précède peut donc ne pas s'appliquer à vous.

INSTRUCTIONS ÉLECTRIQUES

Pour éviter les surcharges de circuit, n'utilisez pas un autre appareil à puissance élevée sur le même circuit en même temps que votre nettoyeur vapeur. Si un cordon d'extension est nécessaire, un cordon nominal de 15 ampères avec une prise à 3 branches doit être utilisé. Les cordons conçus pour moins d'ampères peuvent surchauffer et entraîner des dommages.

CONNECTEUR STANDARD AVEC MISE À TERRE À TROIS BRANCHES

Ce système comporte un connecteur standard avec mise à terre à trois branches. Par mesure de sécurité, il doit être branché seulement à une prise de courant à trois branches. Si le connecteur ne peut être branché à la prise, contactez un électricien qualifié. N'essayez pas d'aller à l'encontre de cette mesure de sécurité.

INSTRUCTIONS POUR L'EAU

Votre nettoyeur vapeur a été conçu pour fonctionner avec de l'eau du robinet à faible dureté. Afin de prolonger la durée de vie de ce produit, si l'eau de votre localité a une concentration élevée en minéraux, nous vous suggérons d'utiliser 50 % d'eau du robinet avec 50 % d'eau distillée.



IMPORTANT : Ne jamais mettre de produits autres que de l'eau propre dans la bouilloire.

CARACTÉRISTIQUES

- CORDON ÉLECTRIQUE 1
- BOUCHON DE LA BOUILLOIRE 2
- BRANCHEMENT DE SORTIE 3

SPÉCIFICATIONS

TEMPÉRATURE DE LA VAPEUR	PRESSION DE LA VAPEUR	TEMPS DE CHAUFFAGE	PUISSANCE	VOLTAGE	AMPÉRAGE	CAPACITÉ DE LA BOUILLOIRE	POIDS
150°C 303°F	3.5 BAR 50.8 PSI	10 MINUTES	1200 - 1400 W	110 - 120 V	12 A	1.15 L 0.3 GAL	4.7 KG 10.5LBS





4 JAUGE DE PRESSION

5 LUMIÈRE DE FONCTIONNEMENT

OFF (ARRÊT)

Cette position coupe le courant des éléments chauffants. Tournez l'interrupteur principal à cette position pour évacuer la vapeur avant d'effectuer le remplissage.

ACTIVATION DE LA BOUILLOIRE ☁

Tournez l'interrupteur principal à cette position pour activer le chauffage de l'eau à l'intérieur de la bouilloire et démarrer la production de la vapeur.

6 INTERRUPTEUR PRINCIPAL

7 INDICATEUR STEAMREADY™ ☁

Ce voyant vous indique lorsque le nettoyeur vapeur a atteint la pression d'opération maximale et est prêt à être utilisé.

8 INDICATEUR DE FAIBLE NIVEAU D'EAU ☁

Ce voyant signifie que la bouilloire doit être remplie. Si vous souhaitez continuer à nettoyer lorsque celui-ci s'allume, veuillez consulter les instructions sous «Remplir après utilisation» à la page 29.

TUYAU VAPEUR

VERROU DE SÉCURITÉ

BOUTON DE RELÂCHE DE
LA VAPEUR

RÉGULATEUR DE PRESSION

Sélectionnez la pression de la vapeur
entre minimum (-) et maximum (+).



CONNEXION
DU TUYAU VAPEUR

⚠ ATTENTION : Le tuyau de vapeur possède des connexions électriques. Ne pas immerger dans l'eau.

COMMENT UTILISER VOTRE NETTOYEUR VAPEUR

REEMPLIR AVEC DE L'EAU

Enlevez le bouchon de la bouilloire (2) et remplissez l'appareil avec **700ml (23 oz)** à **1L (34 oz)** d'eau. Utilisez l'entonnoir fourni au besoin. Plus vous remplissez la bouilloire, plus la vapeur sera humide. À l'opposé, plus vous laissez d'espace dans la bouilloire, plus la vapeur sera sèche. Ne dépassez pas la quantité d'eau recommandée. Remplacez et serrez le bouchon de la bouilloire jusqu'à ce qu'il soit bien en place.

⚠ IMPORTANT : *Ne pas mettre trop d'eau. Laissez de l'espace pour la vapeur!*

BRANCHER LA MACHINE

Déroulez le cordon électrique complètement. Branchez le cordon électrique à la prise de courant de **15A ou 20A 110V / 120V** (assurez-vous que le circuit n'est pas déjà utilisé par un autre appareil électrique de haute puissance).

ALLUMER LA MACHINE

Tournez l'interrupteur principal complètement vers la droite à la position **☁**. À cette position, l'indicateur SteamReady™ s'allumera lorsque l'appareil aura atteint la pression de fonctionnement après environ 10 minutes de chauffage.

Pendant l'utilisation, l'indicateur SteamReady™ s'allumera et s'éteindra en alternance. Ceci est tout à fait normal et indique que la vapeur est en train d'être générée dans la bouilloire.



CONNECTER LE TUYAU

Connectez le tuyau vapeur en insérant la connexion du tuyau de vapeur dans le branchement de sortie de l'appareil et appuyez fermement. Assurez-vous que la cheville de verrouillage est bien en place.

! IMPORTANT : Assurez-vous que la cheville de verrouillage sur le clapet est bien insérée dans la connexion du tuyau vapeur.

AJUSTER LA PRESSION DE LA VAPEUR

Sélectionnez la pression vapeur désirée à l'aide du régulateur de pression situé sur la poignée du tuyau vapeur, entre minimum (-) et maximum (+). Insérez l'accessoire que vous souhaitez utiliser au tuyau vapeur. Pour relâcher la vapeur, appuyez sur le bouton de relâche de vapeur situé sur la poignée du tuyau vapeur.



REEMPLIR APRÈS UTILISATION

Si la vapeur diminue drastiquement ou si l'indicateur de faible niveau d'eau (8) s'allume lors de l'utilisation et que vous souhaitez continuer à utiliser votre nettoyeur vapeur, suivez les étapes suivantes :



Tournez l'interrupteur principal à la position OFF (ceci éteindra l'alimentation de l'élément chauffant).




Tenez le bouton de relâche de vapeur sur la poignée enfoncé jusqu'à ce que toute la vapeur se soit évacuée (la jauge de pression doit être à zero).



**LAISSEZ REFROIDIR
POUR 10 MINUTES**

Lorsqu'il n'y a plus de vapeur, laissez refroidir la bouilloire pendant 10 minutes.



Remplissez le nettoyeur vapeur avec 700ml (ou 23 oz) à 1L (34 oz) d'eau, refermez le bouchon de la bouilloire, tournez l'interrupteur principal à la position  et attendez que l'indicateur SteamReady™ s'allume.

! IMPORTANT : Ne pas mettre trop d'eau. Laissez de l'espace pour la vapeur !

! ATTENTION : Toute la vapeur doit être évacuée de la bouilloire sinon celle-ci s'en échappera lors du retrait du bouchon.

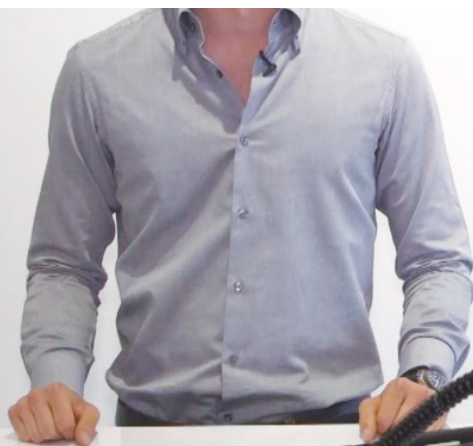
ÉTEINDRE L'APPAREIL

Lorsque vous avez terminé l'utilisation de votre nettoyeur vapeur, désactivez l'appareil en tournant l'interrupteur principal à la position **OFF** (arrêt) et débranchez l'appareil.

ENTREPOSER VOTRE NETTOYEUR VAPEUR

Il est sécuritaire de laisser l'eau dans le nettoyeur vapeur lorsqu'il n'est pas utilisé. S'il n'est pas utilisé pour une période prolongée (plusieurs mois), il est préférable d'enlever l'eau qui reste dans le réservoir. Pour ce faire, suivez les instructions pour enlever l'eau tel que décrit dans la section d'entretien de la bouilloire à la page 37.

⚠ AVERTISSEMENT : Cet appareil doit être rangé à l'intérieur, à l'abri des intempéries.



VIDÉOS DE FORMATION
SUR [DUPRAY.COM](https://www.dupray.com)

UTILISATION DES ACCESSOIRES

CONNECTEUR

Le connecteur est utilisé pour joindre l'outil triangulaire ou l'outil rectangulaire aux tubes d'extension ou au tuyau à vapeur.

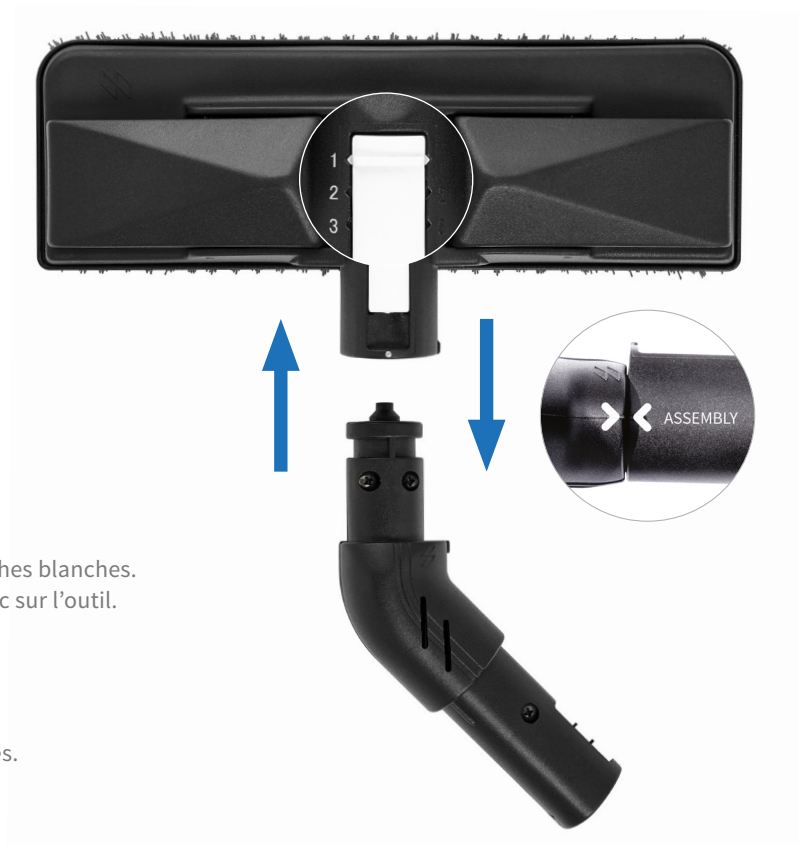
POSITION 1 : ASSEMBLAGE

Installer le connecteur

- Glissez le levier blanc à la première position (*Assembly*).
- Insérez le connecteur latéralement en alignant les deux flèches blanches.
- Tournez le connecteur pour aligner la flèche et le point blanc sur l'outil.

Retirer le connecteur


- Alignez le point blanc avec la flèche sur le connecteur.
- Glissez le levier blanc à la première position (*Assembly*).
- Tournez le connecteur pour aligner les deux flèches blanches.
- Retirez le connecteur






POSITION 2 : VERROUILLAGE

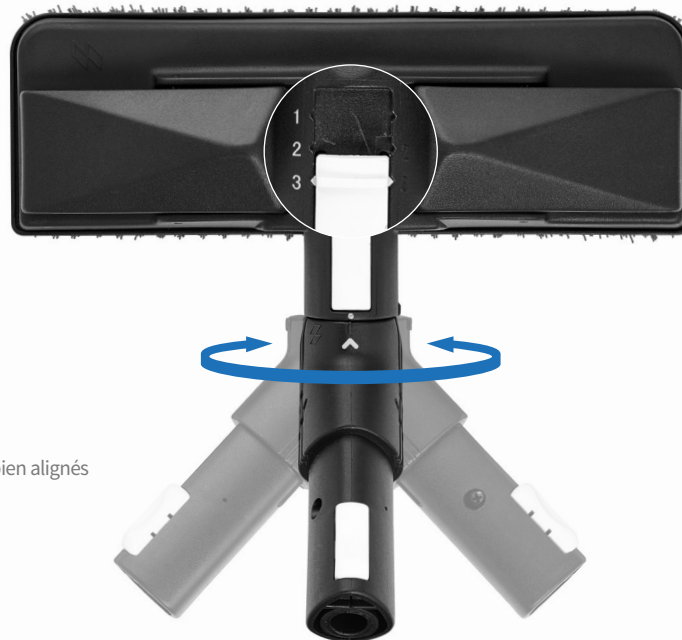
Glissez le levier blanc à la deuxième position (*Locked*) pour empêcher l'outil de tourner.

-  Assurez-vous que la flèche sur le connecteur et le point sur l'outil soient bien alignés avant de glisser le levier blanc.

POSITION 3 : ROTATION

Glissez le levier blanc à la troisième position (*Rotation*) pour permettre à l'outil de tourner.

-  Assurez-vous que la flèche sur le connecteur et le point sur l'outil soient bien alignés avant de glisser le levier blanc.



OUTIL TRIANGULAIRE

L'outil triangulaire est le meilleur outil de désinfection. Utilisez-le avec un linge de microfibre ou un bonnet de microfibre pour isoler la vapeur et ainsi en augmenter la température pour mieux désinfecter. Le linge de microfibre ou le bonnet de microfibre permet aussi de ramasser la saleté durant le nettoyage. Utilisez le connecteur pour brancher l'outil triangulaire au tuyau vapeur ou aux tubes d'extension. Les poils de nylon de cet outil sont assez délicats pour convenir à la plupart des surfaces. La chaleur de la vapeur leur fera perdre leur forme originale, ce qui est normal. Vous pouvez continuer à utiliser l'outil jusqu'à ce que les poils soient complètement usés.



OUTIL RECTANGULAIRE

L'outil rectangulaire est utilisé pour nettoyer les murs, les planchers et les tapis. Utilisez-le avec un linge de microfibre ou un bonnet de microfibre pour isoler la vapeur et ainsi en augmenter la température pour mieux désinfecter. Le linge de microfibre ou le bonnet de microfibre permet aussi de ramasser la saleté durant le nettoyage. Utilisez le connecteur pour brancher l'outil rectangulaire au tuyau vapeur ou aux tubes d'extension. Les poils de nylon de cet outil sont assez délicats pour convenir à la plupart des surfaces. La chaleur de la vapeur leur fera perdre leur forme originale, ce qui est normal. Vous pouvez continuer à utiliser l'outil jusqu'à ce que les poils soient complètement usés.



LINGE DE MICROFIBRE

Le linge de microfibre est utilisé pour ramasser la saleté durant le nettoyage. Le linge isole aussi la vapeur et permet d'atteindre des températures plus élevées. Utilisez-le avec l'outil triangulaire, l'outil rectangulaire ou pour essuyer la saleté après avoir utilisé la lance. Lavable à la machine.



[COMMANDEZ SUR DUPRAY.COM](https://www.dupray.com)

! **IMPORTANT :** Respectez toujours les instructions de nettoyage de la surface que vous nettoyez.
Faites un test avec la vapeur sur une partie moins visible de la surface avant de commencer le nettoyage.

COMMENT INSTALLER LE LINGE DE MICROFIBRE SUR L'OUTIL TRIANGULAIRE

PRÉMIÈREMENT, placez l'outil triangulaire au centre du linge de microfibre.



ENSUITE, enroulez les coins du linge autour de l'outil et fixez-les avec les pinces.



PARFAIT.



COMMENT INSTALLER LE LINGE DE MICROFIBRE SUR L'OUTIL RECTANGULAIRE

PRÉMIÈREMENT, repliez les extrémités du linge de microfibre vers le centre.



ENSUITE, placez l'outil rectangulaire au centre du linge de microfibre et fixez-le en place avec les pinces.



PARFAIT.



BONNET DE MICROFIBRE POUR OUTIL TRIANGULAIRE

Le bonnet de microfibre est utilisé avec l'outil triangulaire pour isoler la vapeur et ainsi en augmenter la température pour mieux désinfecter. Le bonnet de microfibre permet aussi de ramasser la saleté durant le nettoyage.



BONNET DE MICROFIBRE POUR OUTIL RECTANGULAIRE

Le bonnet de microfibre est utilisé avec l'outil rectangulaire pour isoler la vapeur et ainsi en augmenter la température pour mieux désinfecter. Le bonnet de microfibre permet aussi de ramasser la saleté durant le nettoyage.



OUTIL À FENÊTRES

L'outil à fenêtres rend le nettoyage des fenêtres plus facile. Utilisez le côté coussiné pour frotter la surface en appliquant la vapeur et retournez l'outil de l'autre côté pour essuyer la saleté et la condensation. Essayez les côtés de la fenêtre avec un linge.

⚠ ATTENTION : Par températures froides, chauffez les fenêtres avec l'outil à fenêtres à une distance de 2"-4" (5-10 cm) et avec un petit débit de vapeur avant de commencer le nettoyage régulier (pour éviter d'endommager la fenêtre).



OUTIL DE PLOMBERIE

L'outil de plomberie est utilisé pour déboucher les drains. Attachez l'outil de plomberie à la lance et placez-le fermement sur l'entrée du drain. La vapeur sous pression délogera la graisse présente à l'intérieur et éliminera les odeurs.



TUBES D'EXTENSION

Branchez la poignée du tuyau à vapeur aux tubes d'extension en appuyant légèrement sur le bouton de verrouillage jusqu'à ce que celui-ci s'enclenche.

Vous pouvez connecter n'importe quel accessoire à un ou deux tubes d'extension pour accroître votre portée.



LANCE

Utilisez la lance seule pour nettoyer les surfaces difficiles à atteindre et propices aux égratignures, par exemple l'acier inoxydable et l'émail. Utilisez la lance avec la petite brosse de nylon (moins abrasive) ou la petite brosse de laiton pour plus de puissance de récurage. Soyez toujours prudent lorsque vous utilisez les petites brosses pour ne pas endommager la surface.



PETITES BROSSES

PETITE BROSSE DE NYLON

Grâce à sa souplesse, la petite brosse de nylon est idéale pour nettoyer les joints de céramique, les éviers ou toute autre surface plus délicate. Les poils de nylon de cet outil sont assez délicats pour convenir à la plupart des surfaces. La chaleur de la vapeur leur fera perdre leur forme originale, ce qui est normal. Vous pouvez continuer à utiliser l'outil jusqu'à ce que les poils soient complètement usés.



PETITE BROSSE DE LAITON

Pour les surfaces qui requièrent plus d'action abrasive que la petite brosse de nylon, l'utilisation de la petite brosse de laiton peut être efficace.



[COMMANDEZ SUR DUPRAY.COM](https://www.dupray.com)

! **IMPORTANT :** *Respectez toujours les instructions de nettoyage de la surface que vous nettoyez. Faites un test avec la vapeur sur une partie moins visible de la surface avant de commencer le nettoyage.*

ENTRETIEN

ENTRETIEN DE LA BOUILLOIRE

Pour maintenir votre nettoyeur vapeur en bonne condition et pour assurer une performance constante, nous vous suggérons de nettoyer la bouilloire **après chaque 20 heures d'utilisation ou moins selon la dureté de l'eau.**

1. Avant de nettoyer la bouilloire, veuillez vous assurer que la bouilloire est à la température ambiante, qu'elle n'ait pas été utilisée pour au moins 8 heures et qu'elle soit débranchée de la source d'alimentation.
2. Dévissez et retirez le bouchon de la bouilloire (2). Tournez le nettoyeur vapeur à l'envers et videz l'eau restante dans la bouilloire.
3. En utilisant l'entonnoir fourni, versez dans la bouilloire une part égale d'eau et de vinaigre blanc (pour un maximum de **700ml ou 23 oz**) et laissez reposer pour 12 heures.
4. Videz la bouilloire et rincez avec de l'eau propre.
5. Veuillez vous référer à la page 28 pour les instructions de remplissage et de mise en marche de l'appareil.



ATTENTION : *Nous vous recommandons de ne pas utiliser de produit chimique pour nettoyer votre appareil. Si vous le faites, la garantie ne sera plus valide.*

JOINTS D'ÉTANCHÉITÉ

Si les joints d'étanchéité sont secs après une utilisation intensive, appliquez une petite quantité de gelée de pétrole (Vaseline) autour des joints d'assemblage mâle.

GARANTIE LIMITÉE



- Dans les douze (12) mois suivants l'achat du Produit (la « période de garantie »), si le Client a utilisé le Produit sous des conditions d'utilisation normale et en respectant à la lettre les instructions ou le manuel d'utilisation fourni par Dupray et qu'il découvre un défaut au niveau des matériaux de sa fabrication et qu'il avertit Dupray par écrit durant la période de garantie, Dupray aura l'option de déployer des efforts commerciaux raisonnables afin de réparer ou remplacer la partie (ou portion) du Produit jugée défectueuse par Dupray au niveau des matériaux ou de sa fabrication ou pourra rembourser le prix d'achat du Produit ou remplacer le Produit ou une partie de celui-ci. Si le produit n'est pas réparable, le client pourra recevoir un produit équivalent refait à neuf ou un produit de remplacement équivalent ou un certificat cadeau de Dupray, équivalent au montant de la valeur actuelle du produit défectueux pour l'achat d'un nouveau produit. Si Dupray échange le matériel couvert, le produit d'origine devient la propriété de Dupray et le produit de remplacement devient votre propriété; ce dernier sera couvert pour la durée restante de la garantie.
- Pour la période de garantie débutant douze (12) mois suivants l'achat du Produit jusqu'à un maximum de trente-six (36) mois suivants l'achat du Produit, la garantie couvrira les pièces uniquement, excluant les accessoires, les articles d'usure normale et les frais de port et de manutention. Durant cette période, Dupray se réserve le droit de charger des Frais de service pour toute réclamation couverte par la garantie, afin de réparer ou remplacer le Produit couvert par un produit neuf ou dont les performances et la fiabilité sont équivalentes à celles d'un produit neuf. Tous les produits de remplacement fournis en vertu de la présente garantie offriront au minimum une fonctionnalité équivalente par rapport à celle du Produit d'origine.

Les Frais de service sont disponibles ici : dupray.com/fraisdeservice

LA GARANTIE EST NULLE :


- A) si les dommages sont le résultat d'un accident, d'un abus, du gel, d'un impact, d'une altération, d'un usage non autorisé, d'une force majeure ou de l'utilisation d'une source électrique autre que celle indiquée sur le Produit;
- B) si une substance autre que de l'eau a été utilisée dans la chambre d'équilibre du Produit;
- C) si des réparations, modifications ou altérations ont été faites par une personne non autorisée par Dupray;
- D) si le propriétaire ou l'utilisateur ont négligé de faire l'entretien régulier requis et que les dommages ou problèmes sont directement liés à une telle négligence. Il est de la responsabilité du Client de garder l'équipement en bonne condition et d'utiliser uniquement les produits de nettoyage de Dupray afin de ne pas endommager les composants internes.

- Nonobstant les points 1 et 2, Dupray offre une garantie à vie sur les bouilloires et un soutien technique téléphonique à vie.
- Il est convenu que certaines pièces de l'équipement ne sont pas couvertes par la garantie de Dupray, car elles doivent être remplacées après plusieurs utilisations. Parmi ces pièces on retrouve, les boutons, tuyaux, joints d'étanchéité, et plusieurs autres. Ces pièces devront éventuellement être remplacées, et ce, aux frais du Client.
- Dupray ne garantit pas et n'affirme pas que le Produit est conforme à de quelconques lois, règles ou réglementations locales et le Client a la responsabilité d'obtenir tous les permis ou toutes les autorisations exigées par les organismes réglementaires régissant l'installation ou l'utilisation dudit Produit.
- Dupray n'offre aucune autre garantie ou condition et la déclaration de garantie remplace toutes autres garanties, représentations, promesses ou conditions, expresses ou sous-entendues, incluant, mais ne se limitant pas aux garanties implicites de qualité marchande et de conformité à des fins particulières. Dupray rejette expressément toutes les garanties et conditions non mentionnées dans les présentes. toutes garanties ou conditions implicites pouvant être imposées par la loi ont une durée limitée à la période de garantie. la responsabilité de Dupray quant aux réclamations au titre de la garantie est limitée à la réparation ou au remplacement du produit tel que mentionné dans les présentes.
- Le Client déclare qu'il se conformera strictement aux instructions d'utilisation ou au manuel fourni par Dupray en ce qui a trait au Produit. LE NON-RESPECT DE CETTE CLAUSE EXONÈRE DUPRAY DE TOUTE GARANTIE OU RESPONSABILITÉ DE QUELQUE NATURE QUE CE SOIT.
- Cette garantie est au bénéfice de l'acheteur original du Produit. La garantie n'est pas transférable à un tiers.
- Dupray peut sous-traiter ou attribuer l'exécution de ses obligations de garantie à des tiers.
- Dupray n'est pas responsable des défauts ni des retards d'exécution de la garantie en raison d'événements hors de son contrôle.
- Cette garantie ne couvre pas les machines utilisées à des fins de location.

DÉPANNAGE

Ne faites pas fonctionner le nettoyeur vapeur avec un cordon ou une prise endommagée ou si le nettoyeur a été échappé ou endommagé. Pour éviter tout risque de décharge électrique, ne démontez pas ou n'essayez pas de réparer l'appareil vous-même. Retournez l'appareil à Dupray pour toute vérification, réparation ou remplacement. Toute réparation ou service doit être effectué par un professionnel autorisé à un centre de service Dupray.

PROBLÈME	CAUSES POSSIBLES	SOLUTION
L'appareil ne produit pas de vapeur.	<ul style="list-style-type: none">A. L'appareil n'est pas en marche.B. Le réservoir d'eau est vide.C. L'appareil n'est pas branché.D. Le préchauffage n'est pas terminé.E. Le tuyau vapeur n'est pas connecté correctement.	<ul style="list-style-type: none">A. Suivez les instructions de mise en marche à la page 28.B. Remplissez la bouilloire avec un maximum de 1 L (34 oz) d'eau.C. Branchez l'appareil dans une prise électrique.D. Attendez que l'indicateur SteamReady™ (7) s'allume.E. Insérez le tuyau vapeur jusqu'au fond de la connexion et assurez-vous que la cheville de verrouillage du clapet est en place dans le tuyau vapeur.
De l'eau s'écoule par les joints d'assemblage.	<ul style="list-style-type: none">A. Le préchauffage n'est pas terminé.B. De la condensation s'est créée durant le temps d'arrêt.C. Les joints d'étanchéité doivent être remplacés.	<ul style="list-style-type: none">A. Attendez que l'indicateur SteamReady™ (7) s'allume.B. Laissez l'eau circuler dans le système jusqu'à ce que la vapeur commence à sortir.C. Remplacez les joints d'étanchéité.
De l'eau sale s'écoule de l'appareil.	<ul style="list-style-type: none">A. Du tartre peut s'être accumulé.	<ul style="list-style-type: none">A. Suivez les instructions de nettoyage de la bouilloire à la page 37.

PROBLÈME	CAUSES POSSIBLES	SOLUTION
Il n'y a pas assez de pression vapeur.	<p>A. Le régulateur de pression sur le tuyau est réglé à basse pression.</p> <p>B. Du tartre peut s'être accumulé.</p>	<p>A. Tournez le régulateur de pression jusqu'à la pression désirée.</p> <p>B. Suivez les instructions de nettoyage de la bouilloire à la page 37.</p>
Il y a trop d'eau dans la vapeur.	<p>A. La bouilloire est trop remplie.</p>	<p>A. Laissez la vapeur s'échapper du tuyau jusqu'à l'obtention du bon taux d'humidité.</p>
La machine ne se réchauffe pas.	<p>A. Il n'y a plus d'eau (l'indicateur de faible niveau d'eau peut être allumé).</p> <p>B. La machine est à OFF.</p>	<p>A. Ajoutez de l'eau.</p> <p>B. Mettre à la position .</p>
La pression de la vapeur baisse lors de l'utilisation.	<p>A. La pression est réglée trop haute ou trop basse.</p>	<p>A. Réglez la pression en conséquence.</p>
Le cordon d'alimentation électrique est endommagé.	<p>A. Remplacez le cordon.</p>	<p>A. Contactez Dupray au 1-800-881-3990 (É.-U. & Canada) ou au 01-800-877-0180 (Mexique) pour un remplacement.</p>
Le tuyau vapeur ne reste pas en place dans la connexion.	<p>A. Le tuyau vapeur n'est pas connecté correctement.</p>	<p>A. Insérez le tuyau vapeur jusqu'au fond de la connexion et assurez-vous que la cheville de verrouillage du clapet est en place dans le tuyau vapeur.</p>
Le levier blanc sur l'outil rectangulaire ou triangulaire est coincé.	<p>A. La flèche sur le connecteur et le point sur l'outil ne sont pas bien alignés.</p>	<p>A. Tournez le connecteur pour que la flèche sur le connecteur et le point sur l'outil soient correctement alignés. Glissez le levier blanc à la bonne position.</p>

dupray

1-800-881-3990

(EE. UU. & CANADÁ)

01-800-877-0180

(MÉXICO)

DUPRAY.COM



ENGLISH	01
FRANÇAIS	21
ESPAÑOL	41

TABLA DE CONTENIDOS

INSTRUCCIONES IMPORTANTES DE SEGURIDAD	43
CARACTERÍSTICAS	45
ESPECIFICACIONES	45
MANGUERA DE VAPOR	47
COMO USAR SU LIMPIADOR DE VAPOR	48
RELLENADO DE AGUA	49
UTILIZACIÓN DE LOS ACCESORIOS	51
MANTENIMIENTO	57
GARANTÍA LIMITADA	58
SOLUCIÓN DE PROBLEMAS	59
INFORMACIÓN ADICIONAL	61

INSTRUCCIONES IMPORTANTES DE SEGURIDAD

Al usar su limpiador de vapor deben seguirse las precauciones básicas de seguridad. Por favor lea cuidadosamente las instrucciones ya que ellas le darán información importante sobre su limpiador de vapor concerniente a sobre como instalarlo, su uso y cuidado.

- LA TAPA DE LA CALDERA, BAJO PRESIÓN, NO DEBE SER REMOVIDA MIENTRAS ESTÉ EN USO. PARA ABRIR LA TAPA DE LA CALDERA CON SEGURIDAD, CONSULTE LA PÁGINA 49. NO ABRA LA CALDERA SI ESTÁ BAJO PRESIÓN.
- Use su limpiador de vapor sólo para su uso previsto.
- Para evitar el riesgo de una descarga eléctrica, no sumerja el limpiador de vapor en agua o en cualquier otro líquido.
- El limpiador de vapor siempre debe estar apagado antes de conectarlo o desconectarlo de una toma de corriente. Nunca tire del cable de alimentación para desconectar de la toma; en vez tome el enchufe y tire para desconectarlo.
- No deje que el cable de alimentación de energía toque superficies calientes.
- Deje que el limpiador de vapor esté completamente frío antes de guardarlo.
- Envuelva el cable de alimentación en el poste que está atrás del limpiador de vapor cuando no esté en uso.
- No utilice el limpiador de vapor con un cable dañado, el enchufe, el dispositivo de seguridad, las mangueras, la pistola o si el limpiador de vapor se ha caído o dañado. Esto invalidaría alguna o todas las garantías. Por favor contacte con Dupray por el 1-800-881-3990 (EE. UU. y Canadá) o el 01-800-877-0180 (México) para proceder a la reparación.
- Manténgalo alejado de los niños.
- El mango podría calentarse durante el uso.
- No deje el limpiador de vapor encendido mientras esté desatendido.
- No use esta unidad en presencia de explosivos y/o vapores inflamables.
- Mantenga las ranuras de ventilación libres de polvo.
- Nunca inserte o deje caer ningún objeto dentro de las ranuras de ventilación.
- Para prevenir recalentamiento, desenrede completamente el cordón eléctrico.
- No lo use donde se esté usando aerosol (espray) o donde se esté administrando oxígeno.
- Para desconectar, gire el dial principal a la posición **OFF** y luego retire el enchufe de la alimentación principal.
- Nunca guarde su limpiador de vapor mientras todavía está caliente. No hay necesidad de vaciar el depósito a menos que desee dejarlo sin utilizar durante un largo período de tiempo.
- Este producto está diseñado sólo para uso doméstico. Siga todas las instrucciones de uso de este manual.
- Nunca tire de la máquina por el tubo de vapor. En lugar de eso mueva la máquina.
- No lo congele.
- No aplique vapor a componentes eléctricos.
- Al utilizar el limpiador de vapor en una superficie irregular asegúrese que la máquina esté bloqueada en su lugar.
- Los niveles de presión sonora no exceden Lpa<70db (A).



ADVERTENCIA: No utilice esta máquina en presencia de líquidos inflamables, polvo o polvos que sean peligrosos para la salud.



ADVERTENCIA: Los operadores deberán estar debidamente instruidos en el uso de este limpiador de vapor.



ATENCIÓN: Esta máquina es sólo para uso en interiores.



ATENCIÓN: RIESGO DE QUEMADURAS

Este aparato produce vapor a una temperatura muy alta. El limpiador de vapor y sus accesorios pueden calentarse mucho, siempre tome las precauciones adecuadas. Evite el contacto con la piel.

PRECAUCIÓN IMPORTANTE

El vapor es una herramienta de gran poder. Al igual que cualquier otra herramienta, debe usarse con precaución. Ciertas superficies, telas, materiales y acabados son sensibles al agua y al calor y pueden dañarse o decolorarse por el vapor. **SIEMPRE** consulte con el fabricante de la superficie o producto a limpiar antes utilizar vapor. Pruebe sobre una pequeña superficie oculta para asegurarse de que la superficie puede ser limpiada con vapor.

NO deje el vapor de agua sobre una misma superficie por mucho tiempo aunque un paño húmedo esté adjunto a la máquina; el vapor dañará sus pisos.

NO lo use sobre pisos de madera sin sellar, suelos de madera o baldosas muy desgastadas, acabado bruto, engrasado o encerado. Las superficies tratadas con cera o los revestimientos para el suelo no encerados pueden ser dañados por el calor.

NO lo use sobre cuero, telas sintéticas, terciopelo u otro tejido delicado o sensible al vapor.

NO use el limpiador de vapor para fines distintos a los establecidos en el manual.

En ningún caso Dupray se hace responsable de los daños incidentales o emergentes de cualquier naturaleza causados. Ciertos estados no permiten la exclusión o limitación de daños incidentales o consecuentes. Lo anterior, por lo tanto puede no aplicarse a usted.

INSTRUCCIONES ELÉCTRICAS

Para evitar una sobrecarga del circuito, no use ningún otro aparato de alto voltaje en el mismo circuito simultáneamente con el limpiador de vapor. Si es necesario un cable de extensión, se debe usar un cable nominal de 15 amperios con un enchufe de 3 clavijas. Los cables de menor amperaje podrían sobrecalentarse y causar daños.

CONEXIÓN DE 3 CLAVIJAS

Este sistema cuenta con un enchufe de 3 clavijas. Como medida de seguridad, se podrá enchufar en un tomacorriente de una sola manera. Si el enchufe no encaja completamente en el tomacorriente, comuníquese con un electricista calificado. No trate de alterar esta medida de seguridad.

INSTRUCCIONES PARA EL AGUA

Su limpiador de vapor ha sido diseñado para usarse con agua del grifo. Con el fin de extender la vida útil de este producto, si donde usted vive el nivel de dureza del agua es muy alto, se recomienda utilizar el 50% de agua normal, combinado con un 50% de agua destilada.



ATENCIÓN: Nunca ponga otra cosa que no sea agua en la caldera.

CARACTERÍSTICAS

- CABLE ELÉCTRICO 1
- TAPA DE LA CALDERA 2
- CONEXIÓN DE SALIDA DE LA MANGUERA DE VAPOR 3

ESPECIFICACIONES

TEMPERATURA DEL VAPOR	PRESIÓN DE TRABAJO	TIEMPO DE CALENTAMIENTO	POTENCIA	VOLTAJE	AMPERAJE	CAPACIDAD DE LA CALDERA	PESO
150° C 303° F	3.5 BAR 50.8 PSI	10 MINUTOS	1200 - 1400 W	110 - 120 V	12 A	1.15 L 0.3 GAL	4.7 KG 10.5LBS





4 INDICADOR DE PRESIÓN

5 INDICADOR DE FUNCIONAMIENTO

OFF (APAGADO)

Esta posición apagará la energía de los elementos calefactores.
Seleccione esta posición para agotar todo el vapor de la caldera.

ACTIVACIÓN DE LA CALDERA ☹

Gire el interruptor principal a esta posición para activar el calentamiento del agua dentro de la caldera y comenzar la producción de vapor.

6 DIAL PRINCIPAL

7 INDICADOR STEAMREADY™ ☹

Le permite saber cuando el limpiador de vapor está operando a la presión óptima y está listo para su uso.

8 INDICADOR DE NIVEL BAJO DE AGUA ☹

Esta señal roja luminosa advierte que necesita rellenar el agua.
Si desea continuar con la limpieza a vapor, consulte las instrucciones de "Rellenado de agua" en la página 49.

MANGUERA DE VAPOR

BLOQUEO DE SEGURIDAD
A PRUEBA DE NIÑOS

DISPARADOR DE
LIBERACIÓN DE VAPOR

CONTROL DE PRESIÓN VARIABLE

Seleccione la presión del vapor desde
el mínimo (-) al máximo (+).



CONEXIÓN DE LA
MANGUERA DE VAPOR

 **ADVERTENCIA:** Esta manguera contiene conexiones eléctricas, no la sumerja en agua para su limpieza.

CÓMO USAR SU LIMPIADOR DE VAPOR

LLENAR CON AGUA


Retire la tapa de la caldera (2) y añada entre **700 ml (23 oz) y 1 L (34 oz)** de agua en la caldera. Si es necesario utilice el embudo suministrado. Cuanta más agua introduzca, más humedad estará contenida en el vapor. Mientras mayor sea el espacio para la salida del vapor, este más seco será. No sobrepasar la cantidad de agua recomendada. Coloque solidamente la tapa de la caldera.

⚠ ATENCIÓN: No lo llene demasiado. ¡Deje espacio para el vapor!

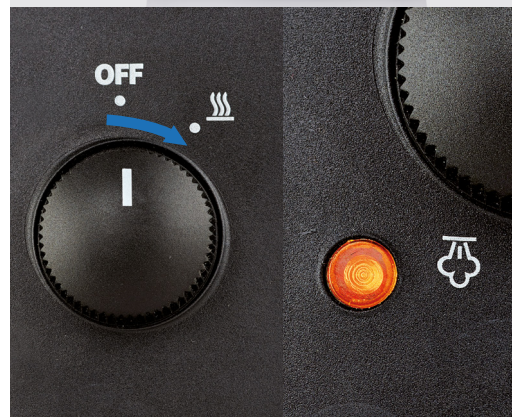
CONEXIÓN DEL APARATO

Desenrolle completamente el cable eléctrico. Conecte el cable eléctrico a una toma de corriente de **110 V / 120 V 15 o 20 amperios** (asegúrese de que el circuito no está ya en uso por otro aparato de alto voltaje).

ENCENDIDO DEL APARTO

Gire el dial principal a la posición . En esta posición el indicador naranja SteamReady™ se enciende cuando la unidad llega a la presión de operación después de aproximadamente 10 minutos de tiempo de calentamiento.

Durante el uso, el indicador naranja SteamReady™ se enciende y se apaga. Esto es normal, e indica que el vapor se está generando en la caldera.



CONEXIÓN DE LA MANGUERA

Conecte la manguera de vapor insertando el conector de la manguera de vapor en la toma de conexión de la manguera de vapor y presione firmemente. Asegúrese de que el pasador de seguridad esté en su lugar.

⚠ IMPORTANTE: Asegúrese que el pasador de bloqueo en la tapa esté insertado en la conexión de la manguera de vapor.

AJUSTAR LA PRESIÓN DE VAPOR

Ajuste la presión de vapor deseada (en el mango de la manguera) con la rueda del regulador de presión de vapor, desde el mínimo (-) al máximo (+).

RELLENADO DE AGUA

Cuando el vapor se agote o si el indicador de nivel bajo de agua se enciende durante el uso, y le gustaría seguir utilizando el limpiador de vapor, usted tendrá que seguir estos pasos:



Gire el dial principal a la posición OFF (esto apaga la alimentación del elemento calefactor).




Mantenga el disparador de liberación de vapor del mango hasta que todo el vapor haya salido del limpiador de vapor (manómetro debe estar en cero).



Cuando no haya más vapor, espere 10 minutos a que la caldera se enfríe.



Vuelva a llenar el limpiador de vapor con **700 ml (23 oz)** a **1 L (34 oz)** de agua tibia, vuelva a ajustar la tapa de la caldera, gire el dial principal a la posición  y espere que el indicador **SteamReady™** se encienda.

⚠ ATENCIÓN: No llenar demasiado. ¡Deje espacio para el vapor!

⚠ ADVERTENCIA: Si la presión del vapor no ha sido liberada, el vapor escapará por la tapa. Tenga cuidado.

APAGAR EL APARATO

Cuando haya terminado de usar su limpiador de vapor, gire el dial principal a la posición **OFF** (apagado) y desenchufe el aparato.

ALMACENAMIENTO DE SU LIMPIADOR DE VAPOR

Es seguro dejar agua en la caldera cuando el limpiador de vapor no está en uso. Si es para un período prolongado de tiempo (meses), entonces es mejor eliminar el agua restante. Para ello, siga las instrucciones de eliminación de agua como se indica en la sección de limpieza de la caldera en la página 57.

⚠ ATENCIÓN: Esta máquina se almacena sólo en interiores.



VIDEOS DE CAPACITACIÓN
EN DUPRAY.COM

UTILIZACIÓN DE LOS ACCESORIOS

CONECTOR

El conector se utiliza para conectar la herramienta rectangular y la herramienta triangular a la manguera de vapor o a los tubos de extensión.

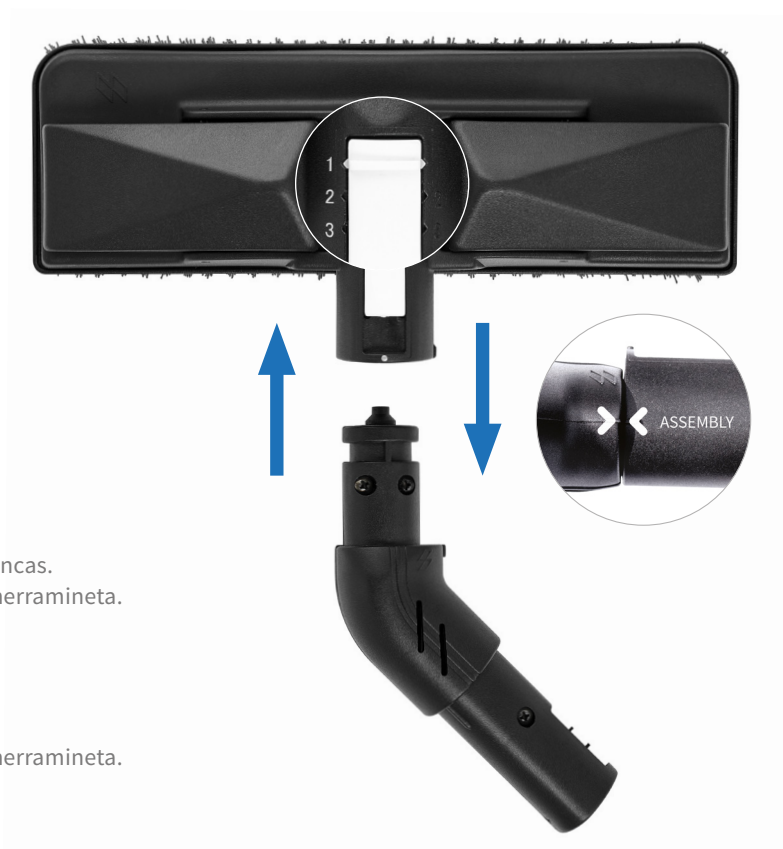
POSICIÓN 1 - MONTAJE

Instalar el conector

- Deslice la palanca blanca a la primera posición (*Assembly*).
- Inserte el conector de costado, alineando las dos flechas blancas.
- Gire el conector y alinee la flecha con el punto blanco en la herramineta.

Remover el conector

- Alinear el punto blanco con la flecha en el conector.
- Deslice la palanca blanca a la primera posición (*Assembly*).
- Gire el conector y alinee la flecha con el punto blanco en la herramineta.
- Retire el conector.





POSICIÓN 2 - BLOQUEO

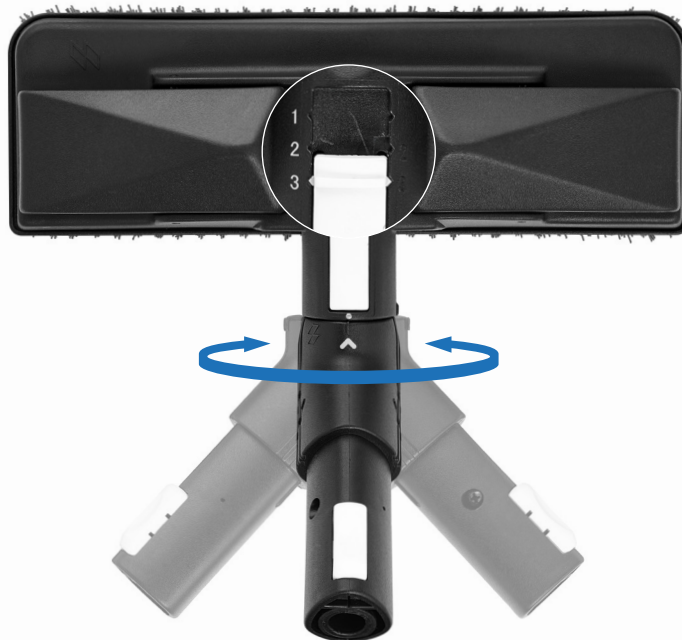
Utilice la segunda posición (*Locked*) en la palanca blanca para evitar que la herramienta rote.

- i** Para deslizar la palanca blanca, la línea en el conector y el punto en la herramienta deben estar alineados.

POSICIÓN 3 - ROTACIÓN

La tercera posición (*Rotation*) se utiliza para permitir que la herramienta rote.

- i** Para deslizar la palanca blanca, la línea en el conector y el punto en la herramienta deben estar alineados.



HERRAMIENTA TRIANGULAR

La herramienta triangular es la mejor herramienta a utilizar para limpiar y desinfectar. Úsela con el paño de microfibra o con la capucha de microfibra para herramienta triangular para aislar el vapor y proveer una mayor temperatura para desinfectar. El paño o la capucha también recogerán la suciedad de cualquier superficie. Utilice el conector para fijar la herramienta triangular a la manguera o las extensiones. Las cerdas de nailon de este accesorio son lo suficiente delicadas para usarse sobre una gran mayoría de superficies. El calor del vapor las hará perder su forma original, lo que es completamente normal. Puede seguir utilizando el accesorio hasta que las cerdas estén completamente gastadas.



HERRAMIENTA RECTANGULAR

La herramienta rectangular se utiliza para limpiar pisos, paredes y alfombras. Úsela con el paño de microfibra o con la capucha de microfibra para herramienta rectangular para aislar el vapor y proveer una mayor temperatura para desinfectar. El paño o la capucha también recogerán la suciedad de cualquier superficie. Utilice el conector para fijar la herramienta rectangular a la manguera o las extensiones. Las cerdas de nailon de este accesorio son lo suficiente delicadas para usarse sobre una gran mayoría de superficies. El calor del vapor las hará perder su forma original, lo que es completamente normal. Puede seguir utilizando el accesorio hasta que las cerdas estén completamente gastadas.



PAÑO DE MICROFIBRA

El paño de microfibra se utiliza para recoger la suciedad mientras limpia. También aísla la herramienta para obtener una mayor temperatura de vapor. Úselo con la herramienta triangular, herramienta rectangular o para limpiar la suciedad después de utilizar la lanceta. Lavable a máquina.



[ORDENAR EN DUPRAY.COM](https://www.dupray.com)

! **IMPORTANTE:** Respetar siempre la superficie que se está limpiando, tome en cuenta las instrucciones de limpieza de la superficie. Haga una prueba de color en una sección que no sea muy visible antes de comenzar la limpieza.

CÓMO INSTALAR EL PAÑO DE MICROFIBRA EN LA HERRAMIENTA TRIANGULAR

PRIMERO, coloque la herramienta en el centro de un paño de microfibra.



DESPUÉS, envuelva el paño de microfibra alrededor de la herramienta triangular y asegúrelo debajo de las pinzas.



BIEN HECHO.



CÓMO INSTALAR EL PAÑO DE MICROFIBRA EN LA HERRAMIENTA RECTANGULAR

PRIMERO, doble las puntas del paño de microfibra.



DESPUÉS, ponga la herramienta directamente en la parte superior y asegure el paño bajo las pinzas.



BIEN HECHO.



CAPUCHA DE MICROFIBRA PARA HERRAMIENTA TRIANGULAR

La capucha de microfibra se utiliza con la herramienta triangular para aislar el vapor y así, aumentar la temperatura para una mejor desinfección.

La capucha de microfibra también permite recoger suciedad.



CAPUCHA DE MICROFIBRA PARA HERRAMIENTA RECTANGULAR

La capucha de microfibra se utiliza con la herramienta rectangular para aislar el vapor y así, aumentar la temperatura para una mejor desinfección.

La capucha de microfibra también permite recoger suciedad.



HERRAMIENTA DE VENTANA

La herramienta de ventana facilita la limpieza de ventanas. Use el lado de la espuma para fregar la ventana y voltee la herramienta para eliminar la suciedad y la condensación con el lado interior. Limpie las esquinas con un paño.

⚠ ATENCIÓN: Durante el tiempo frío, calentar las ventanas con la herramienta de ventana a 2"-4" de distancia y con muy poco caudal de vapor antes de iniciar la limpieza en sí (para evitar posibles daños a la ventana).



HERRAMIENTA DE FONTANERIA

La herramienta de fontanería se utiliza para desatascar desagües. Conecte la herramienta de fontanería en la lanceta, coloque la herramienta firmemente en el desagüe y soplé el vapor dentro del drenaje durante unos segundos. El vapor derretirá la grasa y eliminará los olores.



TUBOS DE EXTENSIÓN

Conecte la manguera de vapor a los tubos de extensión, pulse el botón de bloqueo ligeramente hasta que los botones encajen.

Puede conectar cualquier accesorio a uno o dos tubos de extensión para mayor alcance.



LANCETA

Use la lanceta para los artículos que son particularmente propensos a los arañazos.

Usela con el cepillo de nailon (menos abrasivo) o el cepillo de latón si necesita acción de limpieza adicional. Se recomienda tener cuidado al usar los cepillos para evitar daños o arañazos en las superficies delicadas.



PEQUEÑOS CEPILLOS

PEQUEÑO CEPILLO DE NAILON

El pequeño cepillo de nailon, debido a su suavidad, es ideal para eliminar la suciedad de la lechada, lavabos u otras superficies donde se necesite acción de lavado. Las cerdas de nailon de este accesorio son lo suficiente delicadas para usarse sobre una gran mayoría de superficies. El calor del vapor las hará perder su forma original, lo que es completamente normal. Puede seguir utilizando el accesorio hasta que las cerdas estén completamente gastadas.



PEQUEÑO CEPILLO DE LATÓN

Trabajos de limpieza más difíciles pueden requerir el uso del pequeño cepillo de latón. Para superficies donde el pequeño cepillo de nailon no es eficaz, utilizar con cuidado el pequeño cepillo de latón puede dar los mejores resultados.



[ORDENAR EN DUPRAY.COM](http://ORDENAR.ENCORPRAY.COM)

⚠ IMPORTANTE: Respetar siempre la superficie que se está limpiando, tome en cuenta las instrucciones de limpieza de la superficie. Haga una prueba de color en una sección que no sea muy visible antes de comenzar la limpieza.

MANTENIMIENTO

LIMPIEZA DE LA CALDERA

Para mantener su limpiador de vapor en buenas condiciones y para garantizar un rendimiento constante, se recomienda limpiar periódicamente la caldera **después de 20 horas de uso o menos dependiendo de la dureza del agua.**

1. Antes de limpiar la caldera, por favor asegúrese de que la caldera esté a temperatura ambiente, que no se haya utilizado durante al menos 8 horas, y que el limpiador de vapor esté desconectado de la fuente de alimentación.
2. Desenrosque y retire la tapa de la caldera (2). Gire el limpiador de vapor y vacíe toda el agua que queda en la caldera.
3. Usando el embudo suministrado, vuelva a llenar la caldera con partes iguales de agua y vinagre blanco (para un máximo de **700 ml o 23 oz**) y deje la tapa de la caldera abierta. Deje reposar durante la noche.
4. Escurrir la caldera, y enjuagar bien con agua limpia.
5. Vea la pagina 48 para instrucciones referentes al rellenado de agua.



ATENCIÓN: *No se recomienda utilizar cualquier otro producto químico para limpiar este producto. El hacerlo automáticamente anulará la garantía.*

JUNTAS TÓRICAS

Si las conexiones de unión se secan después de un uso intensivo, poner una pequeña cantidad de lubricante (Vaselina) alrededor de las juntas tóricas en el acoplamiento macho.

LIMITED WARRANTY

3-YEAR
LIMITED
WARRANTY

LIFETIME
WARRANTY
ON BOILER

- For a period of twelve (12) months following the purchase of the Product (the “Warranty period”), if the Client has used the Product under normal use and in strict conformity with the instructions and/or manual of operations provided by Dupray and discovers any defects in material or workmanship and notifies Dupray in writing thereof during the Warranty period, Dupray shall use reasonable commercial efforts to repair or replace that portion of the Product found by Dupray to be defective in material or workmanship or refund the purchase price of the Product or replace the Product or a portion of same. If the product is not repairable, a refurbished equivalent product, or a replacement equivalent product or a store gift certificate equivalent to the current value towards the purchase of a new product will be issued. If Dupray exchanges the Covered Equipment, the original product becomes Dupray’s property and the replacement product is your property, with coverage effective for the remaining time of the Warranty period.
- For the Warranty period starting twelve (12) months after the purchase of the product to a maximum of thirty-six (36) months after the purchase of the product, the Warranty shall cover parts only, excluding accessories, shipping and handling costs. During that period, Dupray reserves the right to charge a Service fee for all Warranty claims, in order to repair or replace the defective Product with a replacement product that is new or equivalent to new in performance and reliability. All replacement products provided under this Warranty will at a minimum be functionally equivalent to the original product.

Detailed Service fees are available at: dupray.com/servicefees


THE WARRANTY IS VOID:

- A) if the damages a result of an accident, abuse, freezing, impact, alteration, non authorized usage, a major force, or use of other electricity than that indicated on the Product;
 - B) if the product was used with other substances besides water in the water chamber;
 - C) if repairs, modifications, or alterations were done by a person not authorized by Dupray;
 - D) the owner or user neglected to do routine maintenance required and the damages or problems are directly related to such neglect. It is the Client’s responsibility to keep equipment in proper condition and to use exclusively Dupray cleaning products so as to not damage the internal components;
- Dupray offers a lifetime warranty on boilers and a lifetime telephone support.
 - It is understood that certain parts of the equipment are not covered by the Dupray warranty due to the fact they require replacement after multiple use. Such parts include, but are not limited to, buttons, hoses, seals, etc. These parts will eventually require replacement at the Client’s cost.
 - Dupray makes no warranty or representation that the Product complies with any local laws, rules or regulations and Client shall be responsible for obtaining all permits or authorizations required by any regulatory body for installation or use of the Product.
 - DUPRAY MAKES NO OTHER WARRANTIES OR CONDITIONS AND THE WARRANTY STATEMENT IS IN LIEU OF ALL OTHER WARRANTIES, REPRESENTATIONS, PROMISES, OR CONDITIONS, EXPRESSED OR IMPLIED, INCLUDING, BUT NOT LIMITED TO, THE IMPLIED WARRANTIES OF MERCHANTABILITY AND FITNESS FOR A PARTICULAR PURPOSE. DUPRAY EXPRESSLY DISCLAIMS ALL WARRANTIES AND CONDITIONS NOT STATED HEREIN. ANY IMPLIED WARRANTIES AND CONDITIONS THAT MAY BE IMPOSED BY LAW ARE LIMITED IN DURATION TO THE WARRANTY PERIOD. DUPRAY’S LIABILITY FOR WARRANTY CLAIMS IS LIMITED TO REPAIR OR REPLACEMENT AS SET FORTH HERE IN.
 - The Client understands that it shall strictly comply with the operation instructions or manual provided by Dupray in relation to the Product. FAILURE TO DO SO SHALL EXONERATE DUPRAY FROM ANY WARRANTY AND LIABILITY WHATSOEVER.
 - This warranty is to benefit the original purchaser of the product. The warranty is not transferable beyond the original purchaser.
 - Dupray may subcontract or assign performance of its Warranty obligations to third parties.
 - Dupray is not responsible for any failures or delays in performing under the Warranty that are due to events outside Dupray’s reasonable control.
 - This warranty does not cover machines used for rental purposes.

SOLUCIÓN DE PROBLEMAS

No utilice el limpiador de vapor con un cable o enchufe dañado o si el limpiador de vapor se ha caído o dañado. Para evitar el riesgo de descarga eléctrica, no desmonte ni intente reparar la unidad por su cuenta. Devuelva la unidad a Dupray para revisión, reparación o reemplazo. Todo el servicio debe ser realizado por profesionales autorizados de los centros de servicio Dupray.

PROBLEMA	POSIBLES CAUSAS	REMEDIO
No sale vapor a través de la manguera o los accesorios.	<ul style="list-style-type: none">A. El limpiador de vapor no está encendido.B. El tanque de agua está vacío.C. La unidad no está enchufada.D. La caldera no está lo suficientemente caliente.E. La manguera no está conectada correctamente.	<ul style="list-style-type: none">A. Siga las instrucciones en la página 48.B. Colocar de 700ml (23 oz) de agua en la caldera.C. Enchufe la unidad en el tomacorriente.D. Espere que el indicador SteamReady™ (7) se encienda.E. Asegúrese de empujar la manguera en todo su recorrido e insertar el pasador de bloqueo en su lugar.
Fugas de gotas de agua en las conexiones.	<ul style="list-style-type: none">A. La unidad no se calienta completamente.B. La condensación se crea a partir de la falta de uso.C. Las juntas tóricas necesitan ser reemplazadas.	<ul style="list-style-type: none">A. Espere que el indicador SteamReady™ (7) se encienda.B. Deje correr el agua a través del sistema hasta que el vapor salga.C. Reemplace las juntas tóricas.
Está saliendo agua sucia.	<ul style="list-style-type: none">A. Sarro que se haya podido acumular.	<ul style="list-style-type: none">A. Siga las instrucciones de mantenimiento en la página 57.

PROBLEMA	POSIBLES CAUSAS	REMEDIO
No hay suficiente presión de vapor.	<p>A. El dial del mango puede estar demasiado bajo.</p> <p>B. Sarro que se haya podido acumular.</p>	<p>A. Gire la rueda de regulador de presión de vapor hasta que se alcance la presión deseada.”</p> <p>B. Siga las instrucciones de mantenimiento en la página 57.</p>
El vapor de agua es demasiado húmedo.	<p>A. Hay demasiada agua dentro de la caldera.</p>	<p>A. Deje que el vapor salga hasta que se seque.</p>
La máquina no se está calentando.	<p>A. Sin agua (la luz puede no estar encendida).</p> <p>B. La máquina está en OFF.</p>	<p>A. Añadir agua.</p> <p>B. Gire a la posición .</p>
La presión está cayendo durante el funcionamiento.	<p>A. La presión se encuentra al máximo durante demasiado tiempo.</p>	<p>A. Use el ajuste de presión más baja.</p>
El cable eléctrico está dañado.	<p>A. Reemplace el cable de alimentación.</p>	<p>A. Contacte a Dupray por el 1-800-881-3990 (EE. UU. y Canadá) o el 01-800-877-0180 (México) para el reemplazo.</p>
La manguera sigue saliéndose fuera de la salida de conexión.	<p>A. La manguera no está conectada correctamente.</p>	<p>A. Asegúrese de empujar la manguera en todo su recorrido y asegúrese que el pasador de seguridad esté en su lugar.</p>
La palanca blanca en la herramienta rectangular o triangular no puede cambiar de posición.	<p>A. La flecha en el conector y el punto sobre la herramienta no están alineados.</p>	<p>A. Gire el conector de modo que la línea en el conector y el punto en la línea de herramienta se alineen. Mueva la palanca de color blanco a la posición correcta (montaje, bloquear o girar).</p>

TRAINING VIDEOS
VIDEOS DE FORMATION
VIDEOS DE CAPACITACIÓN

DUPRAY.COM



ORDER ACCESSORIES
COMMANDER DES ACCESSOIRES
ORDENAR ACCESORIOS

DUPRAY.COM



NEED HELP?
BESOIN D'AIDE?
¿NECESITA AYUDA?

1-800-881-3990

(USA & CANADA)

01-800-877-0180

(MEXICO)

DUPRAY.COM