

dupray

Instruction manual
Manuel d'utilisation



**STEAM
BOX**™

dupray

DUPRAY CANADA

3700 St-Patrick Suite 214,
Montreal, QC,
H4E 1A2

DUPRAY USA

40E Main Street Suite 168,
Newark, DE,
19711

DUPRAY.COM

1-800-881-8482



ENGLISH	01
FRANÇAIS	22

TABLE OF CONTENTS

IMPORTANT SAFETY INSTRUCTIONS.....	03
DESCRIPTION AND CONTROL PANNEL.....	06
ACCESSORIES	07
HOW TO USE YOUR STEAM CLEANER	08
REFILLING WITH WATER	09
REFILLING WITH DETERGENT	09
FEATURES	10
USING THE ACCESSORIES	12
MAINTENANCE	15
TECHNICAL SPECIFICATIONS.....	17
WARRANTY	18
TROUBLESHOOTING	19

IMPORTANT SAFETY INSTRUCTIONS

When using your steam cleaner, basic safety precautions should always be followed. Please read the following instructions carefully as they provide important information concerning how to install, use and care for your steam cleaner.

- Use the steam cleaner only for its intended use.
- To protect against a risk of electric shock, do not immerse the steam cleaner in water or any other liquids.
- The steam cleaner should always be turned off before plugging it into or unplugging it from a wall outlet. Never pull the power cord to disconnect from the outlet; instead grasp the plug and pull to disconnect.
- Do not let the power cord touch hot surfaces.
- Let the steam cleaner cool completely before putting it away. Wrap the power cord around the handle bar when not in use.
- **WARNING:** Do not operate the steam cleaner with a damaged cord, plug, safety device, hose, trigger gun or if the steam cleaner has been dropped or damaged. This will void any and all warranties. Please contact Dupray at 1-800-881-8482 for repair procedure, or visit dupray.com.
- Keep away from children.
- Do not leave the steam cleaner ON while unattended.
- Do not use this unit in the presence of explosive and/or flammable fumes.
- Keep ventilation slots free from dust.
- Never drop or insert any object into ventilation slots.
- To prevent overheating, unravel the electrical cord completely.
- Do not operate where aerosol (spray) products are being used or where oxygen is being administered.
- To disconnect, turn off the main power button (14), then remove the plug from the main power.
- Never put away your steam cleaner while it is still hot. There is no need for emptying the tank unless you intend to leave it unused for a long period of time.
- Follow all user instructions in this manual.
- Never pull the machine by the steam hose. Move the machine instead.
- Handle might get hot during use.
- When using the steam cleaner on an uneven surface ensure the machine is blocked in place.
- Sound pressure levels do not exceed $L_{pa} < 99 \text{ db (A)}$.
- Do not freeze.
- This machine is intended for commercial use only.
- The electric supply connection shall be made by a qualified electrician and comply with IEC 60364-1.
- It is recommended that the electric supply to this machine should include either a residual current device that will interrupt the supply if the leakage current to earth exceeds 30ma for 30ms or a device, which will prove the earth circuit.
- This machine is equipped with two safety valves, able to ensure the safety of the machine itself in case other primary control devices are inefficient (due to a failure). Due to the extreme importance of these components and as not to compromise the safety of the machine, it is recommended to provide to check them and to substitute them through and authorized service center every 2 years starting from the purchasing date.

- This machine is equipped with a pressure switch able to check and to maintain the pressure under certain preset limits (ref. «Rated pressure» on the technical label underneath the machine). In case there would be a steam leakage on the lower side of the machine, it means that the functioning of this device has been compromised and the safety valve has been involved as to limit the boiler's internal pressure.

i It is recommended not to use the machine, immediately unplug the machine from the power feeding and call the service center.

⚠ WARNING: Do not use this machine in the presence of flammable liquids, or dusts that are hazardous to health.

⚠ WARNING: Operators shall be adequately instructed on the use of this steam cleaner.

⚠ WARNING: This machine is not suitable for picking up hazardous dust.

⚠ WARNING: If liquid escapes from the machine, switch OFF immediatly.

⚠ WARNING: High pressure jets can be dangerous if subject to misuse. The jet must not be directed at persons, live electrical equipment or the machine itself.

⚠ WARNING: Do not use the machine within range of persons unless they wear protective clothing.

⚠ WARNING: Do not direct the jet against yourself or others in order to clean clothes or foot-wear.

⚠ WARNING: Risk of explosion - Do not spray flammable liquids.

⚠ WARNING: High pressure cleaners shall not be used by children or untrained personnel.

⚠ WARNING: To ensure machine safety, use only original spare parts from the manufacturer of approved by the manufacturer.

⚠ WARNING: High pressure hoses, fittings and couplings are important for the safety of the machine. Use only hoses, fittings and couplings recommended by the manufacturer.

⚠ WARNING: The hand -arm vibrations data, referred to this device, are not metioned as they are bellow 2.5 m/s²

⚠ WARNING: This machine is built with a safety valve to protect the steam cleaner in case of a primary control failure. It is recommended to have an authorised service center verify the integrity of this safety valve and replace it if needed every 2 years.

⚠ WARNING: Do not disassemble the accessories while the machine is supplying steam.

⚠ CAUTION: This machine is for indoor use only.

⚠ CAUTION: This machine shall be stored indoor only.

⚠ CAUTION: RISK OF BURNS

- This appliance produces steam at a very high temperature.
- The steam cleaner and its accessories can get very hot always use appropriate precautions.
- Avoid direct skin contact.

IMPORTANT WARNING

Steam is a powerful tool. Like any other tool, it should be used with caution. Certain surfaces, fabrics, materials and finishes are water and heat sensitive and can be damaged or discolored by steam. **ALWAYS** check with the manufacturer of the surface or product being cleaned before using steam. **TEST** a small, hidden surface to make sure the surface can be steamed.

DO NOT leave steam in one spot on any surface for any period of time with a wet cleaning cloth/pad attached as this will damage your floors.

DO NOT use on unsealed wood, on wood or tile floors that are highly worn, unfinished or have a wax or oil finish. Surfaces that have been treated with wax or no-wax floors may be damaged by heat.

DO NOT use on leather, synthetic fabrics, velvet or other delicate, steam-sensitive materials.

DO NOT use the steam cleaner for any other purpose than what is described in the instructions manual.

In no event is Dupray liable for incidental or consequential damages to anyone, of any nature whatsoever. Some states/provinces do not permit the exclusion or limitation of incidental or consequential damages, so the above may not apply to you.

ELECTRICAL INSTRUCTIONS

The electrical connection of this device must be made by a qualified electrician and comply with UL/CSA regulations.

Only use this steam cleaner with a single phase 220/240V electrical outlet with a minimum of 30 amps available. If you're using a generator, you will require a minimum of 6000 W running power on 220/240V.

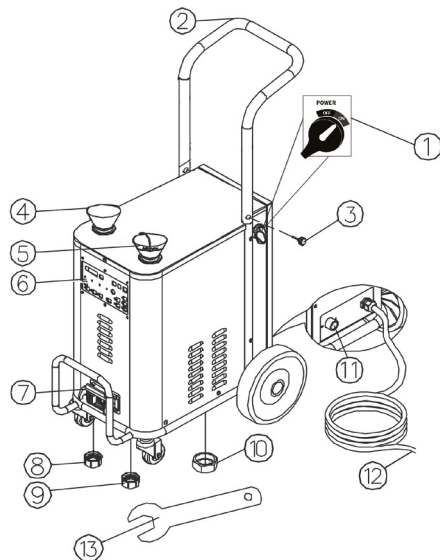
⚠ WARNING: *Inadequate extension cords can be dangerous. If an extension cord is used, it shall be suitable for outdoor use, and the connection has to be kept dry and off the ground. It is recommended that this is accomplished by means of a cord reel which keeps the socket at least 60mm above the ground.*

WATER INSTRUCTIONS

Your steam cleaner has been designed for use with normal tap water. In order to extend the life of this product, if you are living where the level of water hardness is very high, we recommend using 50% normal water with 50% distilled water.

⚠ IMPORTANT: *Never put anything else other than water in the boiler*

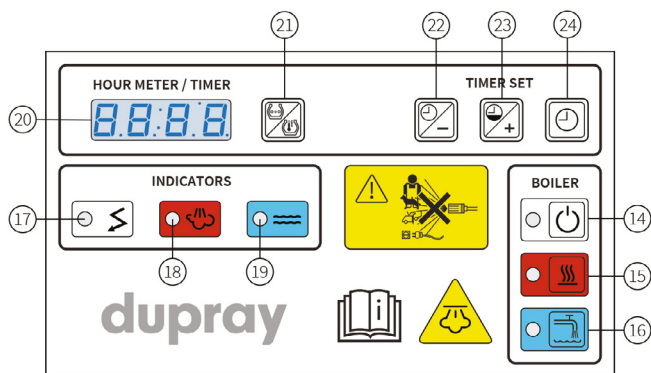
⚠ IMPORTANT: *Always respect the surface that you are cleaning, adhere to the surface cleaning instructions. Do a colour test on a hidden section before you begin cleaning.*



DESCRIPTION

1. MAIN POWER SWITCH
2. HANDLE BAR
3. HANDLE BAR SCREWS
4. DETERGENT TANK
5. WATER TANK
6. CONTROL PANEL
7. STEAM HOSE CONNECTION OUTLET
8. DETERGENT TANK DRAIN CAP
9. WATER TANK DRAIN CAP
10. BOILER DRAIN CAP
11. DIRECT WATER INTAKE CONNECTION
12. ELECTRICAL CARD
13. BOILER DRAIN CAP KEY

CONTROL PANNEL



14. POWER BUTTON
15. BOILER ACTIVATION BUTTON
16. DIRECT WATER INTAKE BUTTON
17. WORKING CONTROL LIGHT
18. STEAMREADY™ INDICATOR
19. LOW WATER INDICATOR
20. ADI™ DISPLAY
21. STEAM PRESSURE INDICATOR (IN BAR)
22. TIMER ADJUSTMENT -
23. TIMER ADJUSTMENT +
24. CLOCK BUTTON



ACCESSORIES

- 25. STEAM HOSE
- 26. HOSE LOCKING PIN
- 27. STEAM HOSE CONNECTOR
- 28. STEAM RELEASE TRIGGER
- 29. ACCESSORY LOCK/RELEASE
- 30. STEAM PRESSURE INDICATORS
MINIMUM TO MAXIMUM
- 31. DETERGENT INJECTION INDICATOR
- 32. WATER INJECTION INDICATOR
- 33. STEAM PRESSURE CONTROL BUTTON
- 34. DETERGENT INJECTION BUTTON

- 35. WATER INJECTION BUTTON
- 36. RECTANGULAR TOOL
- 37. CLOTH HOLDING CLIPS
- 38. TRIANGULAR TOOL
- 39. EXTENSION TUBES
- 40. EXTENSION TUBES LOCKING PIN
- 41. WINDOW TOOL
- 42. LANCE
- 43. LARGE NYLON BRUSH
- 44. SMALL NYLON BRUSH
- 45. SMALL BRASS BRUSH

- 46. SMALL STAINLESS STEEL BRUSH
- 47. STEAM SCRAPPER
- 48. PLUNGER TOOL
- 49. STEEL WOOL
- 50. MICROFIBER CLOTH
- 51. MICROFIBER PAD
- 52. TRIANGULAR TOOL
MICROFIBER BONNET
- 53. RECTANGULAR TOOL
MICROFIBER BONNET

HOW TO USE YOUR STEAM CLEANER

Unpacking: Insert the handle bar (2) into the cart and fix it with the handle bar screws (3).

1. Fill the blue water tank (5) with up to 1.8 gal / 7 litres of clean tap water. Securely replace the water tank cap rubber cover. Never put detergent in the water tank!

DIRECT WATER FEED CONNEXION:

To feed the steam cleaner directly using a water line, use a 3/8 to 1/2 inch quality rubber hose with a garden hose not exceeding 50ft fitting on the direct water intake connection (11). Securely tighten the hose connection by hand. Water pressure in the hose should not exceed 84 psi. Connect only to a city potable water supply. Do not use any other water source for direct feed.

2. Fill the yellow detergent tank (4) with up to 1.8 gal / 7 litres of diluted detergent solution (see the Refilling with detergent section for details on page 9).
3. Connect the steam cleaner electrical cord (12) to a 220/240V electrical outlet with a minimum of 30 amps available. If you're using a generator, you will require a minimum of 6000W running power on 220/240V. Ask a certified electrician to make sure the voltage and amperage correspond to your steam cleaner specifications and that your steam cleaner is safely wired.
4. Turn **ON** the main power switch (1), press the power button (14) on the control panel (6), and then press the boiler activation button (15). The working control light (17) should be brightly lit. If you are feeding the machine directly with a water hose, press the direct water intake button (16). The SteamReady™ indicator (18) will light up when the steam cleaner is ready to use, after approximately 8 minutes of heat up time.
5. Connect the steam hose (25) by inserting the steam hose connector (27) in the steam hose connection outlet (7) and press firmly until the hose locking pin (26) clicks.
6. Select the desired steam pressure (on the hose handle) between minimum, medium and maximum (30).
7. Connect the steam hose (25) to the accessory that you want to use.
8. To release steam, press the steam release trigger (28) on the hose handle.
9. When the steam cleaner is low on water, an audible alarm will come on and the low water indicator (19) will light up, indicating the need to safely refill with water.

10. When you are done using your steam cleaner, turn the unit **OFF** by pressing on the power button (14). Turn **OFF** the main power switch (1). Your steam cleaner is now ready for storage after it cools down.

⚠ WARNING: *Always turn OFF the main power switch when leaving the machine unattended.*

11. It is safe to leave water in the boiler when the steam cleaner is not in use. If it is for an extended period of time (months), then it is best to flush out the remaining water from the boiler. To do so, follow the water removal instructions as outlined in the maintenance of the boiler section. You can also drain the blue water and yellow detergent tanks by unscrewing the tank drain caps (9 and 8) under the unit.

REFILLING WITH WATER

Equipped with CST™ (Continuous Steam Technology), your steam cleaner can be refilled at anytime during operation. When the water level inside the tank is low, the low water indicator light (19) will turn **ON** and the low water alarm will sound. You can simply refill the water up to a maximum of 1.8 gal/7 liters.

⚠ IMPORTANT: *Never put anything else other than water in the boiler.*

REFILLING WITH DETERGENT

You can refill the yellow detergent tank (4) at any time. Do not put anything else than authorized non-foaming diluted detergent in the tank. Always dilute the solution to approximately 1 part concentrated detergent to 10 parts water. Putting only water in the detergent tank can cause faults to the mixing circuit.

To drain the detergent tank, unscrew the tank cap (8) located under the steam cleaner.

⚠ WARNING: *Detergents used in extraction systems are foamy and will cause damages to the machine.*

⚠ WARNING: *Once heated to temperatures above 100°C, some detergents available in commerce will emanate highly dangerous toxic gases. Always use the detergent injection feature in a well ventilated area. Always consult the MSDS data sheet from the manufacturer.*

⚠ WARNING: *Never put any solvents or acidic detergent inside the detergent tank.*

⚠ WARNING: *This machine has been designed for use with cleaning agent supplied or recommended by the manufacturer. The use of other cleaning agents or chemicals may adversely affect the safety of the machine.*

FEATURES

This model is equipped with the following features:

LOW WATER INDICATOR (19)

A red warning light signals that the water needs to be refilled. If you wish to continue steam cleaning, see the “Refilling with Water” instructions.

STEAM PRESSURE CONTROL (33)

With the steam pressure regulator, it is possible to select the steam pressure that you wish to use during your cleaning from minimum, medium and maximum (33).

HOT WATER INJECTION (35)

To release a blast of hot water in the steam, press the button (35) on the hose handle and hold the steam release trigger (28) at the same time. Do not use the hot water injection for more than 5 seconds at a time.

DETERGENT INJECTION (34)

To release a jet of detergent in the steam, press the detergent injection button (34) and hold the steam release trigger (28) at the same time. Do not hold for more than 5 seconds at a time.

STEAMREADY™ INDICATOR (18)

Lets you know when the steam cleaner is operating at optimal pressure and ready to use.

ADI™ DISPLAY (20)

TEMPERATURE AND PRESSURE DISPLAY

While the steam cleaner is **ON**, the temperature indicated on the ADI™ display is in celsius. To display the operating pressure in bar, press the button (21).

HOUR COUNTER

This device is equipped with two hour counters; C1 and C2. C1 is fixed and indicates the total working hours and C2 is resettable by the user. To display the C1, turn off the unit using the main power switch (1), turn it ON again, then press the timer adjustment button (22). To display the hour meter C2, press the button (23).

RESETTING THE HOUR COUNTER C2

Turn the steam cleaner **OFF** with the main power switch (1) located on the side of the unit. Hold both buttons (22) and (23) in the meantime turn the machine ON by turning the main power switch (1). Once the LED light sequence finishes, release the timer adjustment buttons (22 and 23) and the C2 counter should be set to 0.

MAINTENANCE REMINDER DESCALE BOILER

To reset the DESCALE BOILER display, press and hold the steam pressure indicator button (21) and switch the unit OFF by pressing on the power button (14). The DESCALE BOILER indicator will then disappear from the display and will only appear at the next maintenance interval.

CLOCK

This steam cleaner features an adjustable clock. To adjust the time, turn the steam cleaner **OFF** with the power button (14) (the main power switch (1) is **ON**). Press the clock button (24), hold, and adjust time using the buttons - (22) and + (23). The internal battery for the clock will last about 30 days without power.

USING THE ACCESSORIES

CONNECTING THE HOSE (25)

Insert the steam hose connector (27) into the steam hose connection outlet (7) all the way, making sure it cannot be pushed in further. Ensure the hose blocking clip (26) is in place.

⚠ WARNING: *This hose contains electrical connections, do not immerse in water for cleaning.*

EXTENSION TUBES (39)

Connect the steam hose (25) to the extension tubes (39), until the accessory lock (40) snaps in. All the accessories are connected the same way.

RECTANGULAR TOOL (36)

The rectangular tool (36) is used to clean walls, floors and carpets. Use it with the microfiber cloth (50) or the microfiber pad (51) to glide smoothly over the surface by attaching it to the cloth holding clips (37). Change the cloth when saturated with dirt. Use the rectangular tool directly when you need additional scrubbing action, for example when cleaning ceramic or porous tiles.

MICROFIBER PAD (51)

The microfiber pad (51) is used to glide smoothly over floors and carpets. To use this accessory, place the rectangular tool (25) directly over it. Wrap the extremities of the cloth around the tool and under the cloth holding clips (37).

⚠ IMPORTANT: *Always respect the surface that you are cleaning, adhere to the surface cleaning instructions and do a colour test on a hidden section before you begin cleaning.*

WINDOW TOOL (41)

The window tool (41) makes the cleaning and degreasing of windows easy. Attach the window tool to the extensions (39) or directly on the steam hose (25). Use the foam side to steam, scrub and vacuum the window and flip the tool to wipe off dirt and condensation using the squeegee side. Wipe corners with a cloth.

⚠ CAUTION: *During cold weather, warm up the windows with the window tool from a 2"-4" distance and with very little steam flow before starting the actual cleaning (to prevent possible damage to the window).*

TRIANGULAR TOOL (38)

The triangular tool (38) is used where it is impossible or awkward to use the rectangular tool. It is the best tool to use for disinfection, as steam gets insulated by a thick microfiber cloth (50). The cloth attached to the triangular tool will pick up dirt and disinfect any surface. Change the cloth when saturated with dirt.

UPHOLSTERY, DRAPERY, BEDDING, ETC.

Cover the tool with a clean dry cloth attaching it under the triangular tool cloth holding clips. Use a rapid back and forth motion, making sure that you do not over saturate the material with steam.

⚠ IMPORTANT: *Always respect the surface that you are cleaning, adhere to the surface cleaning instructions and do a colour test on a hidden section before you begin cleaning.*

LANCE (42) WITH BRUSHES (43 TO 46) (NYLON, BRASS, STAINLESS STEEL)

The lance (42) can be used with or without one of the detail brushes supplied with the steam cleaner. For items that are particularly prone to scratches, it is best to use the lance without a brush. For all other areas, start with the nylon brush (44) (least abrasive) and carefully work your way up to the brass (45), then the stainless steel brush (46). It is always best to be careful when using the brushes to prevent damage or scratching of delicate surfaces.

The use of the lance alone is particularly good for cleaning and degreasing many working surfaces, ventilation hoods, oven doors, ventilation grating, kitchen furniture, stainless steel or enamel sinks, hand-basins, bath-tubs, water taps (to remove scale and water residue), doors, metal frames, car wheel rims, pet areas etc. The nylon brush, because of its softness, is ideal for removing the dirt from grout, sinks and other surfaces where you need some light scrubbing action, but need to be careful not to scratch the surface. Use the large nylon brush (43) with or without the steel wool (49) to clean larger surfaces.

Tougher cleaning jobs may require the use of the brass brush that is supplied. Please make sure you are careful that this tool does not scratch the surface. Brass is tougher than nylon, but softer than stainless steel. For surfaces (grout for example) where the dirt is not being properly lifted with the nylon brush, carefully using the brass brush may give the best results.

For the toughest cleaning assignments (very caked on grease, rust, BBQ grills, very dirty grout), we recommend that you use the stainless steel brushes (46).

When using the lance with or without the brushes, you will need a cloth to wipe off the moisture and dirt that has been lifted through cleaning.

⚠ IMPORTANT: *Always respect the surface that you are cleaning, adhere to the surface cleaning instructions and do a colour test on a hidden section before you begin cleaning.*

STEAM SCRAPPER (47)

The steam scrapper (43) is used for removing stickers, wallpapers and adhesives. Attach it to the lance (42), and let steam dissolve the glue. Slowly pull the adhesive with your fingers to remove it.

PLUNGER TOOL (48)

The plunger tool (48) is used to unclog drains. Attach the plunger tool to the lance (42), place the tool firmly on the drain and blow the steam inside the drain for a few seconds. Steam will melt away residue and remove odors.

MAINTENANCE

MAINTENANCE OF THE BOILER

To maintain your steam cleaner in good condition and to ensure constant performance, we recommend that you periodically clean the boiler after every 25 hours of use or less depending on the water hardness. The ADI™ will display DESCALE BOILER when the boiler needs to be maintained.

CLEANING INSTRUCTIONS

⚠ WARNING: *Before cleaning the boiler, please make sure that the boiler is at room temperature, that it has not been used for at least 8 hours, and that the steam cleaner is disconnected from the power source.*

1. Place the steam cleaner above a sink or a bucket. Unscrew and remove the boiler drain cap (10) using the boiler key (13). Empty all the remaining water in the boiler. Put the boiler drain cap back on.
2. Refill the water tank with equal parts of water and white vinegar (for a maximum of 0.5 gal or 2 L). Reconnect the steam cleaner to a power outlet and turn the steam cleaner **ON** (14). Doing so will fill the boiler with the vinegar solution. Do NOT press the boiler activation button (15)!
3. Turn the steam cleaner **OFF** (14), disconnect and let sit overnight.
4. Replace the steam cleaner above a sink or a bucket. Unscrew and remove the boiler drain cap (10). Empty the vinegar solution into the sink or bucket.
5. Flush the system with clean water by refilling the water tank with 0.8gal/3L of water, reconnecting the steam cleaner to a power outlet and turning the steam cleaner **ON** (14). Do NOT press the boiler activation button (15)! At this point the boiler drain cap (10) is still removed.
6. Let the water drain into the sink or bucket from under the machine until the water tank is empty.

7. Replace the boiler drain cap. Refill the water tank with 0.8 gal/3L of clean water.
8. To reset the DESCALE BOILER display, press and hold the steam pressure indicator button (21) and switch the unit OFF by pressing on the power button (14). The DESCALE BOILER indicator will then disappear from the display and will only appear at the next maintenance interval.

 **WARNING:** *It is not recommended that you use any other chemical to clean this product. Doing so will automatically void the warranty.*

ATTACHMENT COUPLINGS

If the attachment connections dry up after intensive use, put a small amount of petroleum jelly (Vaseline) around the O-rings on the male attachment.

TECHNICAL SPECIFICATIONS

To verify the technical data of your model, always consult the plate under the machine.

POWER	5400 W, 24 AMPS, 220V
BOILER STEAM TEMPERATURE	347°F / 175°C
STEAM PRESSURE	121 PSI / 8 BAR
BOILER VOLUME	1 Gal / 4 L
HEAT UP TIME	APPROX. 5 MINUTES
OPERATING TIME	UNLIMITED
WEIGHT	27 Kg / 60 Lbs

REPLACEMENT PARTS ORDER AT DUPRAY.COM

#120716PKG: Small nylon brushes (10)
#120717PKG: Small brass brushes (10)
#120709PKG: Small stainless steel brushes (10)
#63071000PKG: Microfiber cloths (10)

#7000055PKG: Microfiber pads (5)
#120718PKG: Large nylon brushes (5)

LIMITED WARRANTY FOR COMMERCIAL STEAM CLEANERS.

3-YEAR
LIMITED
WARRANTY

LIFETIME
WARRANTY
ON BOILER

- For a period of twelve (12) months following the purchase of the Product (the “Warranty period”), if the Client has used the Product under normal use and in strict conformity with the instructions and/or manual of operations provided by Dupray and discovers any defects in material or workmanship and notifies Dupray in writing thereof during the Warranty period, Dupray shall use reasonable commercial efforts to repair or replace that portion of the Product found by Dupray to be defective in material or workmanship or refund the purchase price of the Product or replace the Product or a portion of same. If the product is not repairable, a refurbished equivalent product, or a replacement equivalent product or a store gift certificate equivalent to the current value towards the purchase of a new product will be issued. If Dupray exchanges the Covered Equipment, the original product becomes Dupray’s property and the replacement product is your property, with coverage effective for the remaining time of the Warranty period.
- For the Warranty period starting twelve (12) months after the purchase of the product to a maximum of thirty-six (36) months after the purchase of the product, the Warranty shall cover parts only, excluding accessories, shipping and handling costs. During that period, Dupray reserves the right to charge a Service fee for all Warranty claims, in order to repair or replace the defective Product with a replacement product that is new or equivalent to new in performance and reliability. All replacement products provided under this Warranty will at a minimum be functionally equivalent to the original product.

Detailed Service fees are available at: dupray.com/servicefees

THE WARRANTY IS VOID:

- A) if the damages a result of an accident, abuse, freezing, impact, alteration, non authorized usage, a major force, or use of other electricity than that indicated on the Product;
 - B) if the product was used with other substances besides water in the water chamber;
 - C) if repairs, modifications, or alterations were done by a person not authorized by Dupray;
 - D) the owner or user neglected to do routine maintenance required and the damages or problems are directly related to such neglect. It is the Client’s responsibility to keep equipment in proper condition and to use exclusively Dupray cleaning products so as to not damage the internal components;
- Dupray offers a lifetime warranty on boilers and a lifetime telephone support.
 - It is understood that certain parts of the equipment are not covered by the Dupray warranty due to the fact they require replacement after multiple use. Such parts include, but are not limited to, buttons, hoses, seals, etc. These parts will eventually require replacement at the Client’s cost.
 - Dupray makes no warranty or representation that the Product complies with any local laws, rules or regulations and Client shall be responsible for obtaining all permits or authorizations required by any regulatory body for installation or use of the Product.
 - DUPRAY MAKES NO OTHER WARRANTIES OR CONDITIONS AND THE WARRANTY STATEMENT IS IN LIEU OF ALL OTHER WARRANTIES, REPRESENTATIONS, PROMISES, OR CONDITIONS, EXPRESSED OR IMPLIED, INCLUDING, BUT NOT LIMITED TO, THE IMPLIED WARRANTIES OF MERCHANTABILITY AND FITNESS FOR A PARTICULAR PURPOSE. DUPRAY EXPRESSLY DISCLAIMS ALL WARRANTIES AND CONDITIONS NOT STATED HEREIN. ANY IMPLIED WARRANTIES AND CONDITIONS THAT MAY BE IMPOSED BY LAW ARE LIMITED IN DURATION TO THE WARRANTY PERIOD. DUPRAY’S LIABILITY FOR WARRANTY CLAIMS IS LIMITED TO REPAIR OR REPLACEMENT AS SET FORTH HERE IN.
 - The Client understands that it shall strictly comply with the operation instructions or manual provided by Dupray in relation to the Product. FAILURE TO DO SO SHALL EXONERATE DUPRAY FROM ANY WARRANTY AND LIABILITY WHATSOEVER.
 - This warranty is to benefit the original purchaser of the product. The warranty is not transferable beyond the original purchaser.
 - Dupray may subcontract or assign performance of its Warranty obligations to third parties.
 - Dupray is not responsible for any failures or delays in performing under the Warranty that are due to events outside Dupray’s reasonable control.
 - This warranty does not cover machines used for rental purposes.

TROUBLESHOOTING

Do not operate the steam cleaner with a damaged cord, plug or if the steam cleaner has been dropped or damaged. To avoid risk of electric shock, do not disassemble or attempt to repair the unit on your own. Return the unit to Dupray for examination, repair or replacement. All service is to be performed by authorized professionals of Dupray service centers.

PROBLEM	POSSIBLE CAUSE	REMEDY
The machine does not produce steam.	A. Lack of power.	A. Make sure the electrical plug (12) is well inserted, verify if the main switch (1) is in the ON position and if the control panel buttons (14)(15) are activated. Have a certified electrician verify your power/ connection.
The red low water indicator (19) lights up.	A. All the water from the water tank has been consumed.	A. Refill the blue water tank (5) with up to 1.8 gal / 7 liters of clean water.
Water leaks from the connections.	A. Check the wear and tear of the o-rings.	A. Clean and lubricate the o-rings with petroleum jelly. If necessary, replace with spares supplied.
Steam does not come out.	A. Boiler has not reached the operational pressure (SteamReady™(18) is off). B. Boiler activation button (15) not activated. C. Variable pressure control (33) is not set.	A. Wait a few minutes. B. Press the boiler button (15). C. Select the desired pressure setting on the hose handle.
Drops of water come out of the accessories.	A. When you start steaming, water condenses in the cold hose and accessories due to the difference in temperature.	A. After a few minutes of use this problem will disappear. If it continues, proceed with the boiler cleaning.

PROBLEM	POSSIBLE CAUSE	REMEDY
Detergent doesn't come out.	<ul style="list-style-type: none"> A. The detergent tank is empty. B. A pocket of air has formed inside the detergent tank. 	<ul style="list-style-type: none"> A. Add diluted detergent in the tank (4). B. Activate the detergent pump. Turn the steam pressure buttons (33) off. Hold the detergent injection button (34) and the steam release trigger (28) at the same time until detergent come out.
On the display appears the writing FAIL. Switches and buttons are blocked (do not react to the command).	<ul style="list-style-type: none"> A. The microprocessor of the system executed a non valid operation and interrupted the scanning of the program. 	<ul style="list-style-type: none"> A. Disconnect the plug from the electric socket, wait a minute, then connect it again.
Noise inside the boiler.	<ul style="list-style-type: none"> A. The boiler getting cold, after about 6-7 hours creates an internal depression which, at each ignition, provoke some vibrations. 	<ul style="list-style-type: none"> A. Wait until the pressure stabilizes (about 2-3 minutes), the noise will disappear.
Steam pressure is dropping when in use.	<ul style="list-style-type: none"> A. The steam pressure is set to maximum for too long. 	<ul style="list-style-type: none"> A. Use lower pressure setting. (33)

dupray

DUPRAY CANADA

3700 St-Patrick Suite 214,
Montreal, QC,
H4E 1A2

DUPRAY USA

40E Main Street Suite 168,
Newark, DE,
19711

DUPRAY.COM

1-800-881-8482



ENGLISH	01
FRANÇAIS	22

TABLE DES MATIÈRES

IMPORTANTES MESURES DE SÉCURITÉ	23
DESCRIPTION ET PANNEAU DE CONTRÔLE.....	26
ACCESSOIRES	27
COMMENT UTILISER VOTRE NETTOYEUR VAPEUR	28
REPLIR AVEC DE L'EAU	29
REPLIR AVEC DU DÉTERGENT	29
CARACTÉRISTIQUES	30
UTILISATIONS DES ACCESSOIRES	32
ENTRETIEN	35
SPÉCIFICATIONS TECHNIQUES.....	37
GARANTIE	38
DÉPANNAGE.....	39

IMPORTANTES MESURES DE SÉCURITÉ

Ces mesures de sécurité importantes doivent toujours être respectées lorsque vous utilisez votre nettoyeur vapeur. Veuillez lire attentivement les instructions suivantes car elles fournissent des informations importantes concernant l'installation, l'utilisation et l'entretien de votre nettoyeur vapeur.

- Utilisez le nettoyeur vapeur uniquement pour son utilisation prévue.
- Pour éviter tout risque de décharge électrique, ne pas submerger le nettoyeur vapeur dans de l'eau ou tout autre liquide.
- Le nettoyeur vapeur doit toujours être éteint avant de le brancher ou le débrancher d'une prise murale. Ne jamais tirer sur le cordon d'alimentation pour le débrancher de la prise, empoignez plutôt la fiche et tirez pour débrancher.
- Ne laissez pas le cordon d'alimentation toucher des surfaces chaudes. Laissez refroidir le nettoyeur vapeur complètement avant de le ranger. Enroulez le cordon d'alimentation à l'arrière du nettoyeur vapeur lorsqu'il n'est pas utilisé.
- **ATTENTION:** Ne faites pas fonctionner le nettoyeur vapeur avec un cordon, une prise, dispositif de sécurité, tuyau ou bouton de relâche de vapeur endommagé, ou si l'appareil a été échappé ou endommagé. Ceci mettra fin à la garantie. S'il vous plaît contactez Dupray au 1-800-881-8482 ou visitez le dupray.com pour la procédure de réparation.
- Tenir hors de portée des enfants. Ne laissez pas le nettoyeur vapeur en marche lorsqu'il est sans surveillance.
- N'utilisez pas l'appareil en présence d'explosifs et/ou de vapeurs inflammables.
- Gardez les fentes de ventilation sans poussière.
- Évitez de laisser tomber ou d'insérer un objet dans les fentes de ventilation.
- Afin de prévenir la surchauffe, déroulez complètement le cordon électrique.
- Ne faites pas fonctionner l'appareil en présence de produits en aérosol (vaporisateurs) ou si de l'oxygène sous pression est utilisé.
- Pour débrancher, appuyez sur l'interrupteur principal puis retirez la fiche de l'alimentation principale.
- Ne rangez jamais votre nettoyeur vapeur lorsqu'il est encore chaud. Il n'est pas nécessaire de vider le réservoir à moins que vous prévoyiez ne pas l'utiliser pour une longue période.
- Suivez bien toutes les instructions de ce manuel.
- Ne jamais tirer la machine en empoignant le tuyau, utilisez plutôt la poignée de la machine.
- La poignée de la machine peut devenir très chaude durant l'utilisation.
- Lorsque vous utilisez le nettoyeur vapeur sur une surface inégale, assurez-vous que l'appareil soit stable et bien en place.
- Le niveau sonore de cet appareil n'excède pas 99db (A).
- Ne pas geler.
- Cette machine ne peut être utilisée qu'à des fins commerciales.
- La connexion au réseau électrique doit être effectuée par un électricien qualifié et doit être conforme au contenu de la IEC 60364-1.
- On recommande d'inclure à l'alimentation électrique de cet appareil un différentiel qui puisse interrompre l'alimentation si le courant de dispersion vers la terre est supérieur à 30 ma pour 30ms, ou un dispositif qui puisse contrôler le circuit de terre.
- Cet appareil est doté d'une soupape de sécurité qui sauvegardent la sécurité de l'appareil au cas où les éléments de contrôle primaires (causant une panne) seraient insuffisants. À cause de la haute importance

de ces composants et pour ne pas compromettre la sécurité de l'appareil, nous vous recommandons de contacter un centre d'assistance autorisé pour les remplacer.

- Cet appareil utilise un pressostat pour le contrôle et le maintien de la pression selon des valeurs fixes (voir « rated pressure » sur l'étiquette technique placé sur l'appareille) au cas où il y a une fuite de vapeur

⚠ AVERTISSEMENT : *Ne pas utiliser cet appareil en présence de liquides inflammables ou de poussières dangereuses pour la santé.*

⚠ AVERTISSEMENT : *Cet appareil n'est pas conçu pour ramasser les poussières dangereuses.*

⚠ AVERTISSEMENT : *Les utilisateurs doivent être formés adéquatement pour manipuler ce nettoyeur vapeur.*

⚠ AVERTISSEMENT : *Si du liquide s'échappe de la machine, éteindre immédiatement l'appareil.*

⚠ AVERTISSEMENT : *Les jets à haute pression peuvent être dangereux s'ils sont mal utilisés. Le jet ne doit pas être dirigé vers un individu, un appareil électrique, ou la machine elle-même.*

⚠ AVERTISSEMENT : *N'utilisez pas la machine près de quelqu'un d'autre sauf si cette personne porte l'équipement protecteur nécessaire.*

⚠ AVERTISSEMENT : *Ne dirigez pas le jet vers vous-même ou quelqu'un d'autre dans le but de nettoyer les vêtements ou les souliers.*

⚠ AVERTISSEMENT : *Risque d'explosion. Ne pas vaporiser de liquides inflammables.*

⚠ AVERTISSEMENT : *Les nettoyeurs à haute pression ne doivent pas être utilisés par des enfants ou du personnel non formé.*

⚠ AVERTISSEMENT : *Pour assurer une utilisation sécuritaire de la machine, n'utiliser que les pièces de rechange fournies par le fabricant ou recommandées par le fabricant.*

dans la partie inférieure de l'appareil, il signifie que le fonctionnement du pressostat est compromis et que la soupape de sécurité s'est activée afin de limiter la pression dans la chaudière.

ⓘ Nous recommandons de ne pas utiliser l'appareil, d'arrêter tout de suite l'alimentation et d'appeler l'assistance technique.

⚠ AVERTISSEMENT : *Les tuyaux à haute pression, les raccords et les joints d'étanchéité sont importants pour assurer une utilisation sécuritaire de la machine. Utilisez seulement les tuyaux, raccords et joints d'étanchéité recommandés par le fabricant.*

⚠ AVERTISSEMENT : *Cette machine est équipée d'une valve de sécurité pour protéger le nettoyeur vapeur lors d'une défaillance de contrôle primaire. Il est recommandé de faire vérifier la valve de sécurité par un centre de service autorisé à tous les 2 ans pour s'assurer de son bon fonctionnement et la remplacer si nécessaire.*

⚠ AVERTISSEMENT : *Ne pas désassembler les accessoires lorsque la machine produit de la vapeur.*

⚠ ATTENTION : *Le niveau de vibration de la poignée causé par cet appareil n'est pas mentionné puisqu'il se situe sous 2.5 m / s2.*

⚠ ATTENTION : *Cet appareil est conçu pour être utilisé à l'intérieur seulement.*

⚠ ATTENTION : *Cette machine doit être entreposée à l'intérieur seulement.*

⚠ ATTENTION : RISQUE DE BRÛLURE

- Cet appareil produit de la vapeur à très haute température.
- Le nettoyeur vapeur et ses accessoires peuvent devenir très chaud, prenez toujours les précautions nécessaires.
- Évitez tout contact direct avec la peau.
- Toujours porter des gants de protection.

MISE EN GARDE IMPORTANTE

La vapeur est un outil de nettoyage très puissant, et comme tout autre outil, elle doit être utilisée avec prudence. Certains tissus, surfaces, matériaux et finis sont sensibles à l'eau et à la chaleur et peuvent être endommagés ou décolorés par la vapeur. Vérifiez **TOUJOURS** auprès du fabricant s'il est possible d'utiliser de la vapeur sur la surface ou le produit à nettoyer. **TESTEZ** une petite partie dissimulée de la surface afin de vous assurer qu'elle peut être nettoyée à la vapeur.

NE PAS laisser la vapeur au même endroit sur une surface pour quelque durée que ce soit si un linge humidifié est attaché à la machine; la vapeur abîmera vos planchers.

NE PAS utiliser sur le cuir, les tissus synthétiques, le velours ou tout autre tissu délicat et sensible à la vapeur.

NE PAS utiliser sur des planchers de bois non scellés, des planchers de bois ou des carrelages extrêmement usés, bruts ou à la finition huilée ou cirée. Les surfaces traitées à la cire ou les revêtements de sol sans cirage risquent d'être endommagés par la chaleur.

NE PAS utiliser le nettoyeur vapeur à d'autres fins que celles prescrites dans le mode d'emploi.

En aucun cas Dupray ne pourra être tenue responsable des dommages accessoires ou indirects, de quelque nature que ce soit, causés à quiconque. Certains États et provinces n'autorisent pas l'exclusion ou la restriction des dommages accessoires ou indirects. Ce qui précède peut donc ne pas s'appliquer à vous.

INSTRUCTIONS ÉLECTRIQUES

La connexion au réseau électrique doit être effectuée par un électricien qualifié et doit être conforme à la réglementation UL/CSA. Utilisez seulement cet appareil avec une connexion électrique monophasé 220V/240 avec un minimum de 30 ampères. Si vous utilisez une génératrice, vous aurez besoin d'un modèle fournissant une puissance d'au moins 6000W en continu sur 220/240V.

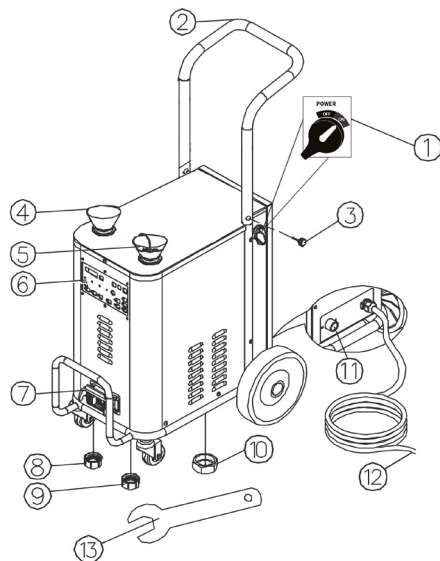
⚠ AVERTISSEMENT: *Des rallonges électriques inadéquates peuvent être dangereuses. Si une rallonge électrique est utilisée, elle doit être appropriée pour une utilisation extérieure et la connexion doit être gardée au sec et non au sol. Il est recommandé d'utiliser un mécanisme d'enroulage de la rallonge électrique qui gardera la prise à au moins 60 mm du sol.*

INSTRUCTIONS POUR L'EAU

Votre nettoyeur vapeur a été conçu pour fonctionner avec de l'eau du robinet à faible dureté. Afin de prolonger la durée de vie de ce produit, si l'eau de votre municipalité a une concentration élevée en minéraux, nous vous suggérons d'utiliser 50 % d'eau du robinet avec 50 % d'eau distillée.

⚠ ATTENTION: *Ne jamais mettre de produits autres que de l'eau propre dans le réservoir.*

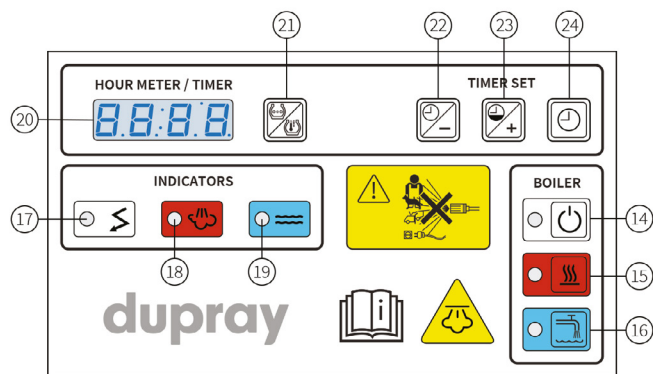
⚠ IMPORTANT: *Avant de nettoyer, testez les surfaces à nettoyer en passant la vapeur sur une petite partie cachée de la surface.*



DESCRIPTION

1. INTERRUPTEUR PRINCIPAL
2. POIGNÉE DU CHARRIOT
3. VIS DU CHARRIOT
4. RÉSERVOIR DE DÉTERGENT
5. RÉSERVOIR D'EAU
6. PANNEAU DE CONTRÔLE
7. CONNEXION DU TUYAU
8. BOUCHON DE DRAINAGE DU RÉSERVOIR DE DÉTERGENT
9. BOUCHON DE DRAINAGE DU RÉSERVOIR D'EAU
10. BOUCHON DE DRAINAGE DE LA BOUILLOIRE
11. CONNEXION DIRECTE POUR TUYAU D'EAU
12. CORDON D'ALIMENTATION ÉLECTRIQUE
13. CLÉ DU BOUCHON DE DRAINAGE DE LA BOUILLOIRE

PANNEAU DE CONTRÔLE



14. BOUTON D'ALIMENTATION
15. BOUTON D'ACTIVATION DE LABOUILLOIRE
16. BOUTON POUR L'ALIMENTATION DIRECTE PAR LE TUYAU D'EAU
17. LUMIÈRE DE FONCTIONNEMENT
18. INDICATEUR STEAMREADY™
19. INDICATEUR DE FAIBLE NIVEAU D'EAU
20. INTERFACE ADI™
21. INDICATEUR DE PRESSION VAPEUR (EN BAR)
22. AJUSTEMENT DE LA MINUTERIE -
23. AJUSTEMENT DE LA MINUTERIE +
24. BOUTON DE L'HORLOGE



ACCESSOIRES

- | | | | |
|--|---|--------------------------------------|-------------------------------------|
| 25. TUYAU VAPEUR | 32. INDICATEUR D'INJECTION D'EAU BOUILLANTE | 40. VEROUS D'ACCESSOIRES | 48. OUTIL DE PLOMBERIE |
| 26. CHEVILLE DE VERROUILLAGE DU TUYAU VAPEUR | 33. RÉGULATEUR DE PRESSION | 41. OUTIL À FENÊTRES | 49. LAINE D'ACIER |
| 27. CONNEXION DU TUYAU VAPEUR | 34. BOUTON D'INJECTION DE DÉTERGENT | 42. LANCE | 50. LINGE DE MICROFIBRE |
| 28. BOUTON DE RELÂCHE DE LA VAPEUR | 35. BOUTON D'INJECTION D'EAU BOUILLANTE | 43. LARGE BROsse DE NYLON | 51. COUSSINET MICROFIBRE |
| 29. VEROUS DU TUYAU VAPEUR | 36. OUTIL RECTANGULAIRE | 44. PETITE BROsse DE NYLON | 52. BONNET POUR OUTIL TRIANGULAIRE |
| 30. INDICATEURS DE PRESSION VAPEUR | 37. PINCES POUR LINGE | 45. PETITE BROsse DE LAITON | 53. BONNET POUR OUTIL RECTANGULAIRE |
| 31. INDICATEUR D'INJECTION DE DÉTERGENT | 38. OUTIL TRIANGULAIRE | 46. PETITE BROsse D'ACIER INOXYDABLE | |
| | 39. TUBES D'EXTENSION | 47. RACLOIR | |

COMMENT UTILISER VOTRE NETTOYEUR VAPEUR

Assemblage: insérez la poignée du charriot (2) sur l'appareil et fixez-la en place avec les vis du charriot (3).

1. Remplir le réservoir d'eau (5) avec 1.8 gal / 7 litres d'eau propre. Remplacez le bouchon en caoutchouc sur le réservoir. Ne jamais mettre de détergent dans le réservoir d'eau!

CONNEXION D'EAU DIRECTE

Pour alimenter directement en eau le nettoyeur vapeur en utilisant un tuyau de jardin, utilisez un tuyau de caoutchouc de qualité d'une longueur maximale de 50 pieds et d'un diamètre de 3/8 à 1/2 pouce avec une connexion standard de jardin sur la connexion (11) située derrière l'appareil. Vissez fermement la connexion du tuyau à la main. La pression d'eau à l'intérieur du tuyau d'alimentation directe ne doit pas excéder 84 psi. Ne jamais vous brancher sur une autre source que l'alimentation en eau potable de votre municipalité.

2. Remplir le réservoir de détergent (4) avec 1.8 gal / 7 litres de détergent dilué (voir la section «Remplir avec du détergent» en page 29.)
3. Branchez le cordon d'alimentation (12) de cet appareil sur une connexion électrique 220V/240 avec un minimum de 30 ampères. Si vous utilisez une génératrice, vous aurez besoin d'un modèle fournissant une puissance d'au moins 6000W en continu sur 220/240V. Demandez à un électricien certifié de s'assurer de la conformité et de la sécurité de votre branchement.
4. Activez l'interrupteur principal (1), appuyez sur le bouton d'alimentation (14) du panneau de contrôle (6) et appuyez sur le bouton d'activation de la bouilloire (15). L'indicateur de fonctionnement (17) doit être allumé. Si vous avez branché un tuyau d'eau derrière l'appareil, appuyez sur le bouton pour l'alimentation directe (16). L'indicateur SteamReady™(18) allumera après environ 8 minutes, lorsque la bouilloire aura atteint sa température et pression optimale.
5. Connectez le tuyau vapeur (25) en insérant le connecteur du tuyau (27) dans le branchement de sortie de l'appareil (7) et appuyez fermement afin de verrouiller la cheville (26).
6. Sélectionnez la pression vapeur désirée sur la poignée du tuyau vapeur, entre minimum, medium et maximum (33).
7. Insérez l'accessoire que vous souhaitez utiliser au tuyau vapeur (25).
8. Pour relâcher la vapeur, appuyez sur le bouton de relâche de vapeur (28), situé sur la poignée du tuyau.

9. Lorsque le niveau d'eau du nettoyeur vapeur est bas, une alarme sonore et une lumière de faible niveau d'eau (19) s'allumera vous indiquant qu'il est temps de remplir avec de l'eau.
 10. Lorsque vous avez fini d'utiliser votre nettoyeur vapeur, désactivez l'appareil en appuyant sur le bouton d'alimentation (14) et en fermant l'interrupteur principal (1). Votre nettoyeur vapeur est maintenant prêt pour l'entreposage après une période de refroidissement.
- ⚠ AVERTISSEMENT: Éteignez toujours l'appareil en appuyant sur le bouton d'alimentation (14) et en fermant l'interrupteur principal (1) lorsqu'il est laissé sans surveillance.**
11. Il est sécuritaire de laisser l'eau dans le nettoyeur vapeur lorsqu'il n'est pas utilisé. S'il n'est pas utilisé pour une période prolongée (plusieurs mois), il est préférable d'enlever l'eau qui reste dans le réservoir. Pour ce faire, suivez les instructions pour enlever l'eau telle que décrit dans la section d'entretien de la bouilloire. Vous pouvez également vider les réservoirs d'eau et de détergent en dévissant les bouchons de drainages (8 et 9) situés sous l'appareil.

REEMPLIR AVEC DE L'EAU

Équipé du système CST™ (Continuous Steam Technology), votre nettoyeur vapeur peut être rempli à tout moment. Lorsque le niveau d'eau à l'intérieur du réservoir est bas, l'indicateur de faible niveau d'eau (19) s'allumera et une alarme se fera entendre. Vous pouvez simplement remplir le réservoir d'eau avec un maximum de 1.8 gal / 7L.

⚠ ATTENTION: *Ne jamais mettre de produits autres que de l'eau propre dans le réservoir.*

REEMPLIR AVEC DU DÉTERGENT

Vous pouvez remplir le réservoir jaune à détergent (4) à tout moment. Ne jamais ajouter autre chose qu'un détergent autorisé dilué et non-moussant dans le réservoir. Toujours diluer la solution à raison de 1 part de détergent pour 10 parts d'eau. Ajouter uniquement de l'eau au réservoir à détergent peut causer des problèmes à l'appareil. Pour vider le réservoir à détergent, dévissez le bouchon (8) situé sous l'appareil.

⚠ AVERTISSEMENT: *Lorsque chauffés à des températures supérieures à 100°C, certains détergents disponibles sur le commerce vont émettre des vapeurs toxiques et dangereuses. Toujours utiliser l'injection de détergent dans un endroit bien ventilé. Consultez toujours la fiche MSDS du fabricant.*

⚠ AVERTISSEMENT: *Les détergents conçus pour les systèmes à extraction sont moussants et peuvent endommager les pièces de votre appareil.*

⚠ AVERTISSEMENT: *Ne jamais mettre de solvant ou de produits acides dans le réservoir de détergent.*

⚠ AVERTISSEMENT: *Cette machine a été conçue pour être utilisée avec les agents nettoyants fournis ou recommandés par le fabricant.*

CARACTÉRISTIQUES

Ce modèle est équipé des caractéristiques suivantes :

INDICATEUR DE FAIBLE NIVEAU D'EAU (19)

Une lumière d'avertissement rouge signifie que la bouilloire doit être remplie. Si vous souhaitez continuer à nettoyer, veuillez voir les instructions sous « Remplir la bouilloire ».

CONTRÔLE DE LA PRESSION VAPEUR (33)

Avec le régulateur de pression sur le tuyau (25), il est possible de sélectionner la quantité de vapeur que vous souhaitez utiliser lors de votre nettoyage, de minimum à maximum (33).

INJECTION D'EAU BOUILLANTE (35)

Pour injecter de l'eau bouillante dans le jet de vapeur, appuyez sur le bouton (35) sur le tuyau et maintenez le bouton de relâche de la vapeur (28) enfoncé. N'utilisez pas l'injection d'eau bouillante en continu durant plus de 5 secondes.

INJECTION DE DÉTERGENT (34)

Pour relâcher un jet de détergent dans la vapeur, appuyez sur le bouton d'injection de détergent (34) et tenez le bouton de relâche de la vapeur (28) en même temps. Ne pas tenir pour plus de 5 secondes.

INDICATEUR STEAMREADY™ (18)

Cette fonction vous permet de savoir lorsque le nettoyeur vapeur a atteint la pression d'opération maximale.

INTERFACE ADI™ (20)

TEMPÉRATURE ET PRESSION

Lorsque le nettoyeur vapeur est en opération, la température indiquée sur l'écran ADI™ est en degrés Celcius. Pour afficher la pression interne de la bouilloire en bar, appuyez sur le bouton (21).

COMPTEUR D'HEURES

Ce nettoyeur vapeur comprend 2 compteurs d'heures; C1 et C2. C1 est fixe et indique le nombre total d'heures d'utilisation sur l'appareil. C2 peut être mis à zéro par l'utilisateur. Pour afficher le C1, éteindre l'appareil en fermant l'interrupteur général (1), le réactiver et appuyez sur le bouton de la minuterie (22). Pour afficher le compteur C2, appuyez sur le bouton (23).

REMISE À ZÉRO DU COMPTEUR C2

Éteignez le nettoyeur vapeur en fermant l'interrupteur principal (1) situé sur le côté de l'appareil. Appuyez et tenez les boutons de la minuterie (22) et (23) simultanément. En même temps, activez l'interrupteur principal (1). Attendez que la séquence de lumières finisse et relâchez les boutons (22) et (23).

RAPPEL D'ENTRETIEN DESCALE BOILER

Pour effacer l'affichage DESCALE BOILER, appuyez et tenez le bouton indicateur de pression vapeur (21) et appuyez sur le bouton d'alimentation (14). L'indicateur DESCALE BOILER disparaîtra jusqu'au temps du prochain cycle de nettoyage.

HORLOGE (20)

Cet appareil possède une horloge ajustable. Pour ajuster l'horloge, désactivez le nettoyeur vapeur avec le bouton d'alimentation (14), en laissant l'interrupteur général (1) ouvert. Appuyez et tenez le bouton de l'horloge (24) en ajustant l'heure désirée avec les boutons de la minuterie - (22) et + (23). La batterie interne de l'horloge fonctionnera environ 30 jours sans alimentation électrique.

UTILISATION DES ACCESSOIRES

BRANCHER LE TUYAU (30)

Insérez la connexion du tuyau vapeur (31) dans le branchement de sortie (7) jusqu'au fond, en vous assurant qu'il est bien en place. Assurez-vous que la cheville de verrouillage (32) soit en place.

⚠ AVERTISSEMENT: *Ce tuyau contient des connections électriques, ne pas immerger dans l'eau pour le nettoyage.*

TUBES D'EXTENSION (39)

Branchez la poignée du tuyau à vapeur (25) aux tubes d'extension (39), en appuyant légèrement sur le bouton de verrouillage (29) jusqu'à que celui-ci s'enclenche. Tous les accessoires doivent être branchés de la même façon.

OUTIL RECTANGULAIRE (36)

L'outil rectangulaire (35) est utilisé pour nettoyer les murs, les planchers et les tapis. Utilisez-le avec un linge de microfibre (50) ou le coussinet de microfibre (51) en l'attachant avec les pinces (37) pour glisser sur la surface. Remplacez le linge lorsque saturé de saletés. Utilisez l'outil rectangulaire directement lorsque que vous avez besoin d'action récurrente additionnelle, par exemple lorsque vous nettoyez de la céramique ou des tuiles poreuses.

COUSSINET DE MICROFIBRE (51)

Le coussinet de microfibre (51) qui est utilisé pour glisser sur les planchers et tapis. Pour utiliser cet accessoire placez l'outil rectangulaire directement dessus. Enroulez les extrémités du coussinet de microfibre avec les pinces de l'outil rectangulaire (36).

⚠ IMPORTANT: *Respectez toujours les instructions de nettoyage de la surface que vous nettoyez et faites un test avec la vapeur sur une partie moins visible de la surface avant de commencer le nettoyage.*

OUTIL TRIANGULAIRE (38)

L'outil triangulaire (38) est utilisé lorsqu'il est impossible ou inconfortable d'utiliser l'outil rectangulaire. Il s'agit du meilleur outil de désinfection lorsque utilisé avec un linge de microfibre. Le linge de microfibre (50) isolera la vapeur et permettra de désinfecter et ramasser la saleté. Changez le linge lorsque saturé de saleté.

MEUBLES, RIDEAUX, LITS, ETC.

Couvrez l'outil avec un linge sec et propre, en le fixant avec la pince. Passez la vapeur en un mouvement rapide de l'avant vers l'arrière, en vous assurant que vous n'êtes pas en train de saturer le matériel de vapeur.

⚠ IMPORTANT : *Respectez toujours les instructions de nettoyage de la surface que vous nettoyez et faites un test avec la vapeur sur une partie moins visible de la surface avant de commencer le nettoyage.*

OUTIL À FENÊTRES (41)

L'outil à fenêtre (41) rend le nettoyage et le dégraissage des fenêtres plus facile. Attachez l'outil à fenêtres directement au tuyau (25) ou à un ou deux tubes d'extension (39). Utilisez le côté coussiné pour frotter la surface en appliquant la vapeur et retournez l'outil de l'autre côté pour essuyer la saleté et la condensation. Essuyez les côtés de la fenêtre avec un linge.

⚠ ATTENTION : *Pendant les températures froides, chauffez les fenêtres avec l'outil à fenêtres à une distance de 2"-4" (5-10 cm) et avec un petit débit de vapeur avant de commencer le nettoyage régulier (pour éviter d'endommager la fenêtre).*

LANCE (42) ET PETITES BROSSES DE DÉTAIL (43 À 46) (NYLON, LAITON, ACIER INOXYDABLE)

La lance (42) peut être utilisée avec ou sans les brosses fournies avec le nettoyeur vapeur. Pour les objets qui sont particulièrement à risque d'égratignures, il est mieux d'utiliser l'embout sans brosse. Pour tout autre surface, commencez avec la brosse en nylon (44) (la moins abrasive) puis essayez doucement avec la brosse de laiton (45) puis avec celle en acier inoxydable (46). Faites toujours attention lorsque vous utilisez les brosses pour éviter les dommages ou les égratignures sur les surfaces délicates.

L'utilisation de la lance seule est particulièrement efficace pour nettoyer et dégraisser plusieurs surfaces telles que, la hotte de ventilation, les portes de four, les grilles de ventilation, les meubles de la cuisine, les éviers en acier inoxydable ou en émail, les lavabos, les baignoires, les robinets d'eau les cadres de portes, les encadrements en métal, les jantes d'auto, les endroits réservés aux animaux, etc.

Grâce à sa souplesse, la brosse en nylon est idéale pour enlever la poussière dans les joints de céramique, les éviers et toute autre surface où vous avez besoin de frotter sans risque d'égratignures. Utilisez la brosse de nylon large (43) avec ou sans la laine d'acier (49) pour nettoyer les surfaces plus grandes. Les travaux de nettoyage plus difficiles requièrent l'utilisation de la brosse de laiton fournie. Veuillez vous assurer de ne pas égratigner la surface avec cet outil. Le laiton est plus dur que le nylon, mais plus doux que l'acier inoxydable. Pour les surfaces (les coulis par exemple) où la saleté ne peut être enlevée efficacement avec la brosse en nylon, utilisez avec précaution la brosse en laiton pour obtenir de meilleurs résultats.

Pour les travaux de nettoyages les plus difficiles (pour enlever la graisse, la rouille, nettoyer les grillades du barbecue ou les coulis très sales), nous vous suggérons d'utiliser la brosse en acier inoxydable (46). Lorsque vous utilisez la lance avec ou sans les brosses, vous aurez besoin d'un linge pour essuyer l'humidité et la saleté qui ont été soulevées par le nettoyage.

⚠ IMPORTANT : *Respectez toujours les instructions de nettoyage de la surface que vous nettoyez et faites un test avec la vapeur sur une partie moins visible de la surface avant de commencer le nettoyage.*

RACLOIR (43)

Le racloir (43) est utilisé pour décoller les adhésifs, tapisseries et autocollants. Utilisez-le avec la lance (29). Laissez la vapeur faire fondre la colle et tirez doucement sur l'adhésif, tapisserie ou autocollant pour le retirer.

OUTIL DE PLOMBERIE (48)

L'outil de plomberie (48) est utilisé pour déboucher les drains. Attachez l'outil de plomberie à la lance (42) et placez-le fermement sur l'entrée du drain. La vapeur sous pression délogera les résidus présents à l'intérieur et éliminera les odeurs.

ENTRETIEN

ENTRETIEN DE LA BOUILLOIRE

Pour maintenir votre nettoyeur vapeur en bonne condition et pour assurer une performance constante, nous vous suggérons de nettoyer la bouilloire après chaque 50 heures d'utilisation ou moins selon la dureté de l'eau. L'interface ADI™ indiquera DESCALER BOILER lorsque le temps est venu de nettoyer la bouilloire

INSTRUCTIONS DE NETTOYAGE

⚠ ATTENTION : *Avant de nettoyer la bouilloire, veuillez vous assurer que la bouilloire est à la température ambiante, qu'elle n'ait pas été utilisée pour au moins 8 heures et que l'appareil est débranché de la source d'alimentation.*

1. Placez l'appareil au dessus d'un évier ou d'un seau. Dévissez et enlevez le bouchon de drainage de la bouilloire (10) avec la clé de la bouilloire (13). Videz l'eau restante dans la bouilloire. Replacez le bouchon de drainage de la bouilloire.
2. Remplissez le réservoir d'eau en utilisant une part égale d'eau et de vinaigre jusqu'à un maximum de 0.5 gal / 2 L. Rebranchez le nettoyeur vapeur à une prise d'alimentation et activez-le (14). Ceci remplira la bouilloire avec la solution de vinaigre. Ne PAS appuyer sur le bouton d'activation de la bouilloire (15)!
3. Désactivez l'appareil (14) et débranchez-le. Laissez la solution agir toute la nuit.
4. Replacez l'appareil au dessus d'un évier ou d'un seau. Dévissez et enlevez le bouchon de drainage de la bouilloire (10). Videz la solution de vinaigre de la bouilloire.
5. Purgez le système avec de l'eau propre en remplissant le réservoir d'eau avec 0.8 gal / 3L d'eau une fois l'appareil rebranché et activé (14). Ne PAS appuyer sur le bouton d'activation de la bouilloire (15)! À ce stade ci, le bouchon de drainage de la bouilloire (10) est toujours enlevé.
6. Laissez l'eau s'écouler dans l'évier ou dans le seau jusqu'à ce que le réservoir soit vide.

7. Remplacez le bouchon de drainage de la bouilloire (10) et remplissez le réservoir d'eau avec 0.8gal/3L d'eau propre.
8. Pour effacer l'affichage DESCALE BOILER, appuyez et tenez le bouton indicateur de pression vapeur (21) et appuyez sur le bouton d'alimentation (14). L'indicateur DESCALE BOILER disparaîtra jusqu'au temps du prochain cycle de nettoyage.

⚠ ATTENTION : *Nous vous recommandons de ne pas utiliser tout autre produit chimique pour nettoyer votre appareil. Si vous le faites, cela annulera automatiquement la garantie.*

JOINTS D'ÉTANCHÉITÉ

Si les joints d'étanchéité sont secs après une utilisation intensive, mettez une petite quantité de gelée de pétrole (Vaseline) autour des joints de l'assemblage mâle.

SPÉCIFICATIONS TECHNIQUES

Pour vérifier les données techniques de votre modèle, consultez la fiche située sous l'appareil.

POWER	5400 W / 24 AMPS, 220V
BOILER STEAM TEMPERATURE	347°F / 175°C
STEAM PRESSURE	121 PSI / 8 BAR
BOILER VOLUME	1 Gal / 4 L
HEAT UP TIME	APPROX. 5 MINUTES
OPERATING TIME	UNLIMITED
WEIGHT	60 Lbs / 27 Kg

PIÈCES DE RECHANGE COMMANDEZ SUR [DUPRAY.COM](https://www.dupray.com)

# 120716PKG:	Petites brosses en nylon (10)	# 63071000PKG:	Linges de microfibre (10)
# 120717PKG:	Petites brosses en laiton (10)	# 7000055PKG:	Tampons de microfibre (5)
# 120709PKG:	Petites brosses en acier inoxydable (10)	# 120718PKG:	Grandes brosses en nylon (5)

GARANTIE LIMITÉE DES NETTOYEURS À VAPEUR COMMERCIAUX

3 ANS
GARANTIE
LIMITÉE

**GARANTIE
À VIE**
SUR LA
BOUILLOIRE

- Dans les douze (12) mois suivants l'achat du Produit (la « période de garantie »), si le Client a utilisé le Produit sous des conditions d'utilisation normale et en respectant à la lettre les instructions ou le manuel d'utilisation fourni par Dupray et qu'il découvre un défaut au niveau des matériaux de sa fabrication et qu'il avertit Dupray par écrit durant la période de garantie, Dupray aura l'option de déployer des efforts commerciaux raisonnables afin de réparer ou remplacer la partie (ou portion) du Produit jugée défectueuse par Dupray au niveau des matériaux ou de sa fabrication ou pourra rembourser le prix d'achat du Produit ou remplacer le Produit ou une partie de celui-ci. Si le produit n'est pas réparable, le client pourra recevoir un produit équivalent refait à neuf ou un produit de remplacement équivalent ou un certificat cadeau de Dupray, équivalent au montant de la valeur actuelle du produit défectueux pour l'achat d'un nouveau produit. Si Dupray échange le matériel couvert, le produit d'origine devient la propriété de Dupray et le produit de remplacement devient votre propriété; ce dernier sera couvert pour la durée restante de la garantie.
- Pour la période de garantie débutant douze (12) mois suivants l'achat du Produit jusqu'à un maximum de trente-six (36) mois suivants l'achat du Produit, la garantie couvrira les pièces uniquement, excluant les accessoires, les articles d'usure normale et les frais de port et de manutention. Durant cette période, Dupray se réserve le droit de charger des Frais de service pour toute réclamation couverte par la garantie, afin de réparer ou remplacer le Produit couvert par un produit neuf ou dont les performances et la fiabilité sont équivalentes à celles d'un produit neuf. Tous les produits de remplacement fournis en vertu de la présente garantie offriront au minimum une fonctionnalité équivalente par rapport à celle du Produit d'origine.

Les Frais de service sont disponibles ici : dupray.com/fraisdeservice

- LA GARANTIE EST NULLE :

- A) si les dommages sont le résultat d'un accident, d'un abus, du gel, d'un impact, d'une altération, d'un usage non autorisé, d'une force majeure ou de l'utilisation d'une source électrique autre que celle indiquée sur le Produit;
- B) si une substance autre que de l'eau a été utilisée dans la chambre d'équilibre du Produit;
- C) si des réparations, modifications ou altérations ont été faites par une personne

non autorisée par Dupray;

- D) si le propriétaire ou l'utilisateur ont négligé de faire l'entretien régulier requis et que les dommages ou problèmes sont directement liés à une telle négligence. Il est de la responsabilité du Client de garder l'équipement en bonne condition et d'utiliser uniquement les produits de nettoyage de Dupray afin de ne pas endommager les composants internes.

- Nonobstant les points 1 et 2, Dupray offre une garantie à vie sur les bouilloires et un soutien technique téléphonique à vie.
- Il est convenu que certaines pièces de l'équipement ne sont pas couvertes par la garantie de Dupray, car elles doivent être remplacées après plusieurs utilisations. Parmi ces pièces on retrouve, les boutons, tuyaux, joints d'étanchéité, et plusieurs autres. Ces pièces devront éventuellement être remplacées, et ce, aux frais du Client.
- Dupray ne garantit pas et n'affirme pas que le Produit est conforme à de quelconques lois, règles ou réglementations locales et le Client a la responsabilité d'obtenir tous les permis ou toutes les autorisations exigées par les organismes réglementaires régissant l'installation ou l'utilisation dudit Produit.
- Dupray n'offre aucune autre garantie ou condition et la déclaration de garantie remplace toutes autres garanties, représentations, promesses ou conditions, expresse ou sous-entendue, incluant, mais ne se limitant pas aux garanties implicites de qualité marchande et de conformité à des fins particulières. Dupray rejette expressément toutes les garanties et conditions non mentionnées dans les présentes. Toutes garanties ou conditions implicites pouvant être imposées par la loi ont une durée limitée à la période de garantie. La responsabilité de Dupray quant aux réclamations au titre de la garantie est limitée à la réparation ou au remplacement du produit tel que mentionné dans les présentes.
- Le Client déclare qu'il se conformera strictement aux instructions d'utilisation ou au manuel fourni par Dupray en ce qui a trait au Produit. LE NON-RESPECT DE CETTE CLAUSE EXONÈRE DUPRAY DE TOUTE GARANTIE OU RESPONSABILITÉ DE QUELQUE NATURE QUE CE SOIT.
- Cette garantie est au bénéfice de l'acheteur original du Produit. La garantie n'est pas transférable à un tiers.
- Dupray peut sous-traiter ou attribuer l'exécution de ses obligations de garantie à des tiers.
- Dupray n'est pas responsable des défauts ni des retards d'exécution de la garantie en raison d'événements hors de son contrôle.
- Cette garantie ne couvre pas les machines utilisées à des fins de location.

DÉPANNAGE

Ne faites pas fonctionner le nettoyeur vapeur avec un cordon ou une prise endommagée, ou si le nettoyeur a été échappé ou endommagé. Pour éviter tout risque de décharge électrique, ne démontez pas ou n'essayez pas de réparer l'appareil par vous-même. Retournez l'appareil à Dupray pour toute vérification, réparation ou remplacement. Toute réparation ou service doit être effectué par un professionnel autorisé à un centre de service Dupray.

PROBLÈME	CAUSES POSSIBLES	SOLUTION
L'appareil ne produit pas de vapeur.	A. L'appareil n'est pas sous tension.	A. Assurez vous que le cordon électrique (12) est correctement branché, vérifiez si l'interrupteur principal (1) est enclenché et que les boutons (14) et (15) sur le panneau de contrôle sont allumés. Faites vérifier le courant de votre prise d'alimentation par un électricien certifié..
La lumière rouge de faible niveau d'eau s'allume (19).	A. Toute l'eau du réservoir à eau a été consommée.	A. Remplir le réservoir bleu (5) avec 1.8 gal / 7 litres d'eau propre.
De l'eau s'écoule des joints des accessoires.	A. Contrôler l'usure des joints d'étanchéité.	A. Nettoyer et lubrifier les joints et, si nécessaire, les remplacer avec les joints fournis avec l'appareil.
La vapeur ne sort pas.	A. La bouilloire n'a pas encore atteint sa pression optimale, (SteamReady™(18) est éteint). B. Le bouton de la bouilloire (15) n'est pas actionné. C. Les boutons de contrôle de pression n'ont pas été activés (33).	A. Attendre quelques minutes. B. Allumez le bouton d'activation de la bouilloire (15). C. Choisir le niveau de pression désiré en appuyant sur les boutons (33) situés sur le tuyau (25).

PROBLÈME	CAUSES POSSIBLES	SOLUTION
Le détergent ne sort pas.	<ul style="list-style-type: none"> A. Le réservoir à détergent est vide. B. De l'air est pris dans la pompe à détergent. 	<ul style="list-style-type: none"> A. Ajoutez du détergent dilué dans le réservoir jaune (4). B. Activez la pompe à détergent: fermez le bouton de contrôle de la pression sur le tuyau (33), appuyé le bouton d'injection de détergent (34) et le bouton de relâche de la vapeur (28) en même temps jusqu'à ce que le détergent sorte.
Des gouttes d'eau sortent des accessoires.	<ul style="list-style-type: none"> A. Présence de condensation initiale à cause de la différence de température entre la vapeur et les accessoires. 	<ul style="list-style-type: none"> A. Après quelques minutes d'utilisation le problème disparaît. Si le problème persiste, procéder au nettoyage de la chaudière.
Le panneau de contrôle indique FAIL. Les boutons de commandes ne répondent pas.	<ul style="list-style-type: none"> A. Le microprocesseur du système a exécuté une opération non valide. 	<ul style="list-style-type: none"> A. Débrancher l'appareil, attendre 1 minute, rebrancher à nouveau.
Il y a un bruit provenant de la bouilloire.	<ul style="list-style-type: none"> A. Le refroidissement normal de la bouilloire crée une dépression et des vibrations au démarrage de l'appareil. 	<ul style="list-style-type: none"> A. Le bruit disparaît lorsque la pression se stabilise (2-3min).
La pression vapeur tombe rapidement.	<ul style="list-style-type: none"> A. L'appareil a été utilisé à la pression maximale (33) pour trop longtemps. 	<ul style="list-style-type: none"> A. Utilisez une pression plus faible, minimum ou medium. (33)

TRAINING VIDEO VIDEO DE FORMATION

Available on [dupray.com](https://www.dupray.com)
Disponible sur [dupray.com](https://www.dupray.com)



ORDER ACCESSORIES COMMANDER DES ACCESSOIRES

Visit [dupray.com](https://www.dupray.com)
Visitez [dupray.com](https://www.dupray.com)



Need help?
Besoin d'aide?

1-800-881-8482

DUPRAY.COM