

581270 (L-PWP06A) 6 W Cabinet Loudspeaker

- ✓ **Superb audio and music reproduction performance**
- ✓ **High impact fire resistant ABS cabinet**
- ✓ **Simple power setting**
- ✓ **Easy installation and cost effective**
- ✓ **CE and RoHS compliant**



Overview

L-PWP06A is a 6 W, high impact ABS cabinet loudspeaker finished in a low-profile white color. The stylish and innovative design is well received by general public. It is suitable for applications in various environments such as shopping malls, educational institutes, office buildings, hotels and restaurants.

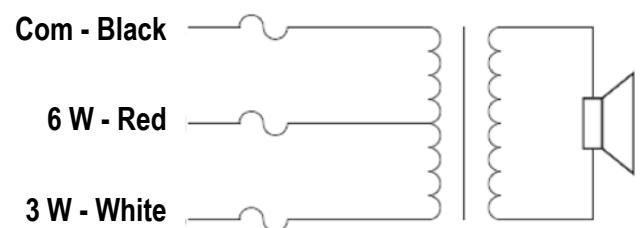
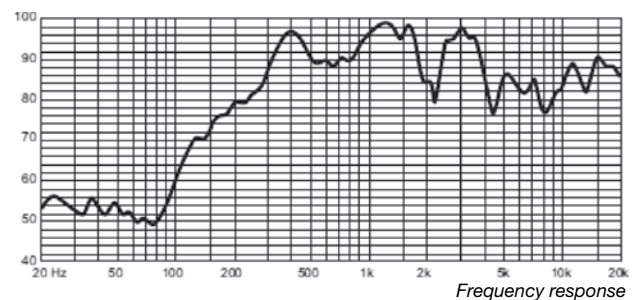
The loudspeaker has a high quality cone, which provides exceptional audio performance and ensures a longer operating life. The quick and simple installation saves time and cost. The loudspeaker is CE and RoHS compliant.

Mounting

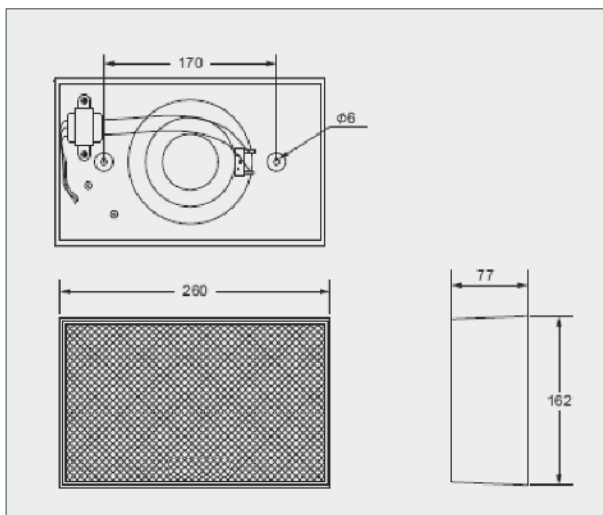
The cabinet loudspeaker is designed for both surface mounting on walls and recessed mounting into brick or concrete walls.

Power setting

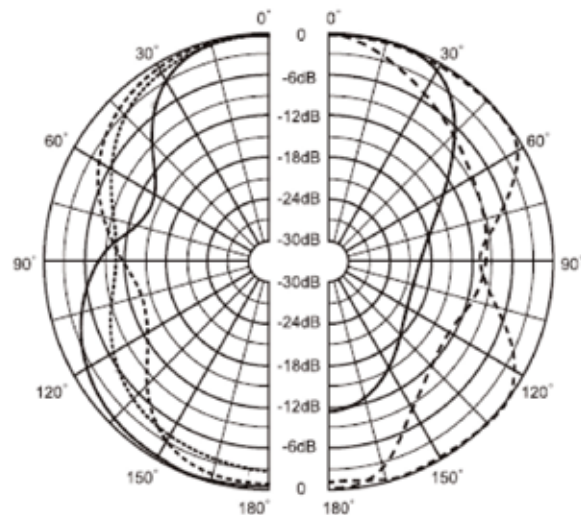
Two primary taps are provided on the matching transformer to allow selection of nominal full-power, half-power.



Circuit diagram



Dimensions



Polar Diagram

Specifications

Electrical

Max. power	9 W
Rated power	6 W
Power tapping	6 W / 3 W
SPL @ 6 W / 1 m (250 Hz ~ 20 k Hz)	96 dB
SPL @ 1 W / 1 m (250 Hz ~ 20 k Hz)	90 dB
Frequency range (-10 dB)	200 Hz ~ 20 kHz
Dispersion angle (1 k Hz / - 6 dB)	120 °
Rated input voltage	100 V / 70 V
Rated impedance	1.7 k Ω / 3.3 k Ω
Connection	Cable

Mechanical

Dimensions	260 mm x 162 mm x 77 mm
Diameter of speakers	140 mm (5.5 ")
Weight	1.00 kg
Color	White (RAL 9003)
Material	ABS

Environmental

Operating temperature	- 25 °C ... + 55 °C
Storage temperature	- 40 °C ... + 70 °C
Relative humidity	< 95 %

Order information

Part No.

Catalog description	6 W cabinet loudspeaker
Part number	581270
Type	L-PWP06A