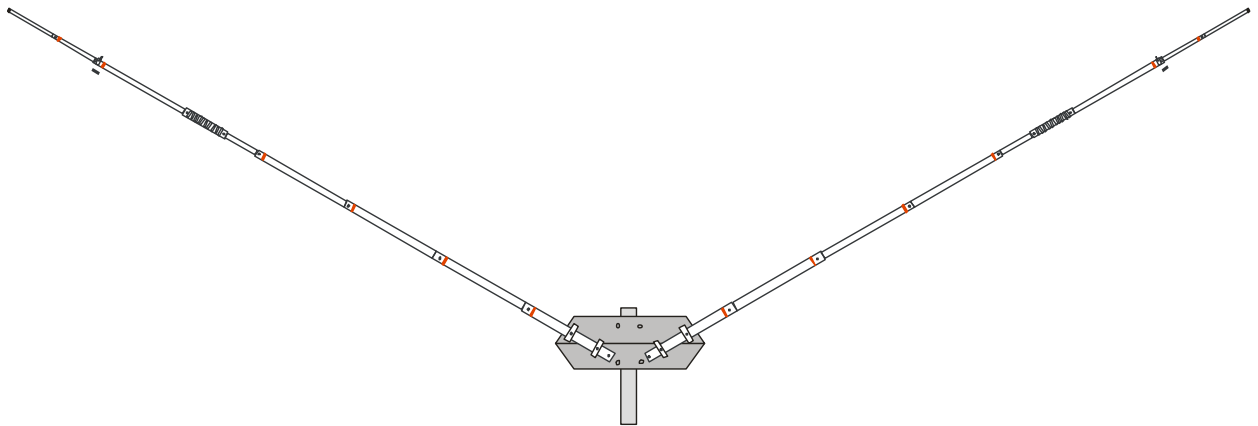


# DXA1240V

12 & 40M DUAL BAND ANTENNA

IN "V"



Thank you for purchasing our products. Be sure to read the manual, it is important to better understand the product to make the most of it.

## **ASSEMBLY AND INSTALLATION INSTRUCTIONS**

### **1. GENERAL INFORMATION**

DIEX manufactures a range of antennas designed and produced to give top performance and reliable long lasting service. They are completely manufactured of non-corrosive materials. The antennas come partly factory-assembled in order to facilitate and expedite your labor.

#### 1.1. Introduction and Description

This manual explains how to assemble the DIEX DXA SERIES. The DXA1240V is a bidirectional antenna that covers the HF spectrum between 24.5 - 25 MHz and 7 – 7.5 MHz (tunable). It can be used with the full legal power of 100W continuously or 300W PEP.

#### 1.2. Owner Assistance

If assistance or service is needed, your local dealer should be contacted first. In the unlikely event, you need further information you may get in touch with DIEX by email.  
e-mail: diexantennas@gmail.com

#### 1.3. Specifications

MODEL	DXA1240V
BAND	12 and 40m
GAIN	2,4 DBI / 0 DBI
2:1 SWR BANDWIDTH	+ 500Kz (12M)/+60Kz (40M)
MAX. INPUT PWR	300 W PEP
>ELEMENT/MINIMUM SPACE	900 cm / 780 cm
TURNING RADIUS	390 cm
MAST DIAMETER	1 ¼" TO 2"
WIND-LOAD AREA	0,12 m <sup>2</sup>
WEIGHT	3,6 Kg

#### 1.4. SAFETY FIRST!

Get acquainted with and observe strictly the requirements and instructions of your local legislation. Direct grounding of the antenna and the tower structure is essential as protection from lightning strikes and static electricity. The entire earth-connection system must meet your local standard requirements.

Do not install the antenna close to power lines and cables, as their proximity, arc-over or contact with them during assembly, installation, and exploitation is hazardous and can be lethal.

Do not work alone! You must have at least one assistant always when you work on the antenna. If you have any doubt concerning the safety, please consult your dealer or engage a professional company.

#### 1.5. Location

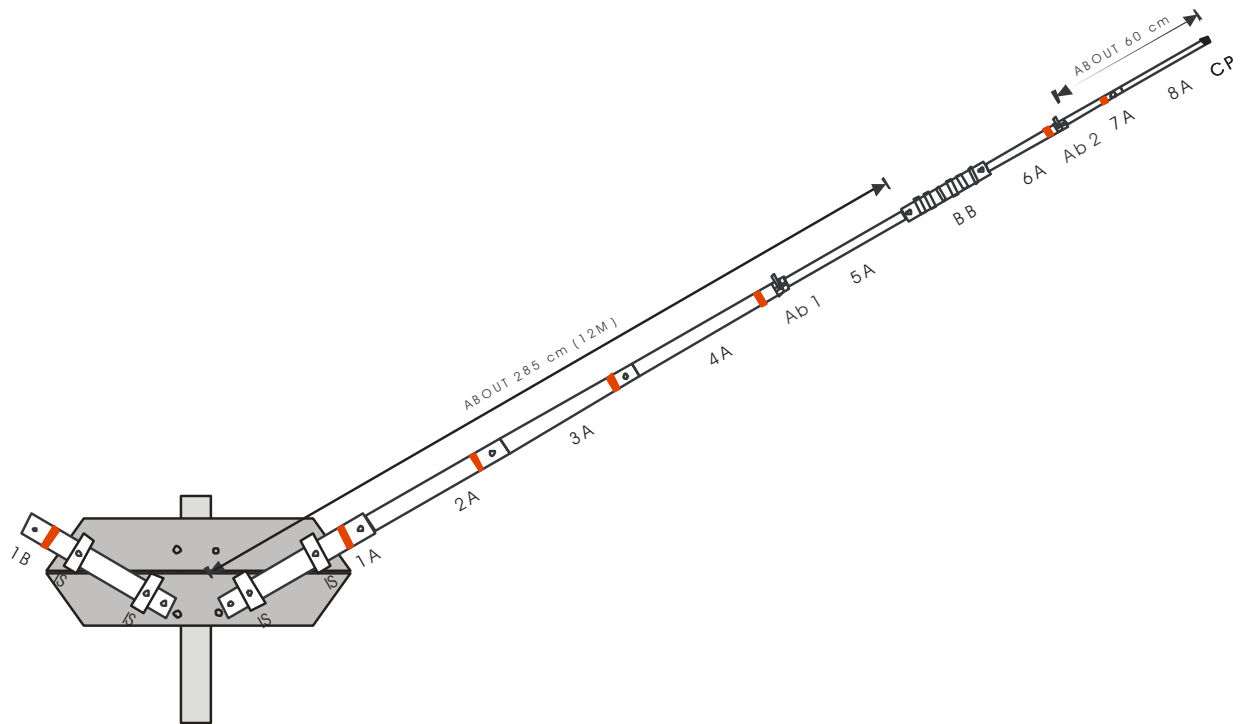
The antenna should be mounted on a support tower structure at a height between 10 and 15 meters (33-50ft) above the ground level. It must be located in the clear, away from trees, power installations, buildings, other antennas etc. Such objects can be dangerous and they can reduce the antenna efficiency or cause interference. If metal guy wires are used for the tower, they should be broken electrically with strain insulators, at 2 meters (6 ft) apart or less.

#### 1.6. Your first steps

The first step to installation is to fully read this manual. Then, carefully inspect the shipping cartons for any physical damage. DIEX ships antennas in highly protected containers, but it cannot assure that

mistreatment by shippers will not occur. If there is any such damage, notify your DIEX dealer immediately. Failure to do so may invalidate your warranty. Select a large and clear area to assemble the antenna. The DIEX production uses metric (European) system of measurement units.

## 2. ASSEMBLING



2.1- Installing insulators (IS) on the support (SP).

2.1.1 - Fix the screws (PS) inside the support (SP) in insulators (IS) that should be as Figure 1.

Figure 1



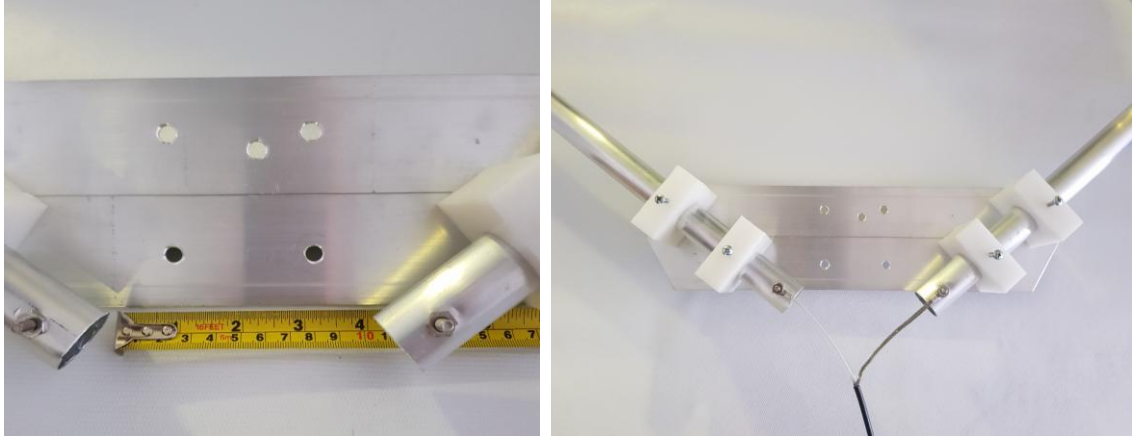
2.2 - Fixing elements in insulators.

2.2.1 - Enter the element (1) in insulators and lock with screws (PS) at the top of the insulators.

2.2.2 - Leave a space of 10cm between the elements 1A and 1B.

2.2.3 - Place the contact screws (PC) as shown in figure 2.

Figure 2 / 2.1

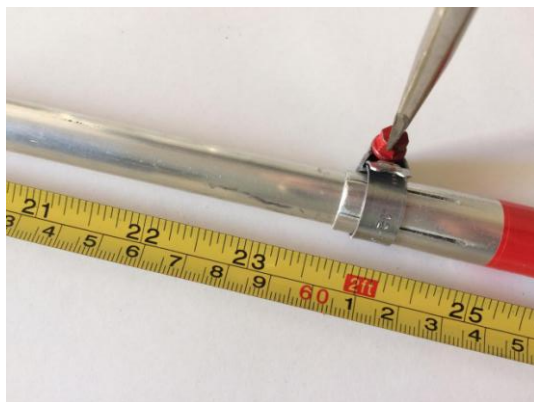


2.3 - Assembling the elements.

2.3.1 - Place the element 2 inside the element 1, 3 in the 2, 4 in the 3, 5 in the 4 and 7 in the 6. Use the screw (PE) and then attach the loading coil (BB) element in 5 and 6 use the screw (PB) the last element 7 is adjustable with the clamp to the desired frequency 40m, start leaving the element with 60cm, figure 3, put the caps (CP).

NOTE: Cover the loading coil with a tape layer of self-fusing or thermo-retractable (not include) to protect from the sun, exceeding 3cm out of the loading coil to the element.

Figure 3



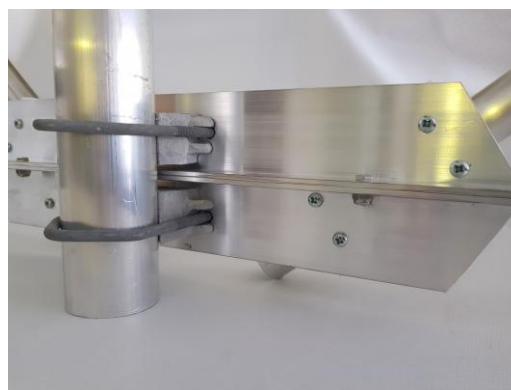
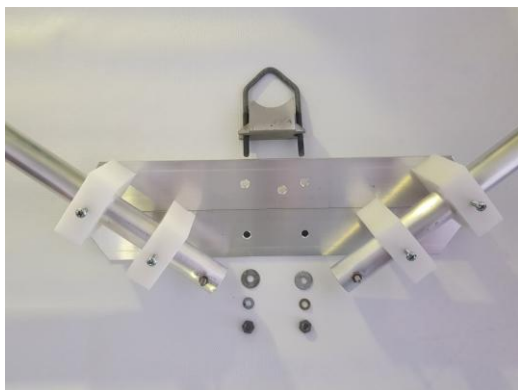
2.4 - Connecting the coaxial cable to the antenna.

2.4.1 - Separate the center of the cable loop about 10cm and solder the terminals (TM), connect the screws (PC) in the element 1 with nuts (NT), has no side seal well to prevent water from entering rain on the cable see in figure 2.1.

2.5 - Finishing the installation.

2.5.1 - Place the clip V in support as Figure 4/5 and install in mast in Maximum 2", attach the cable to the mast leaving off to avoid traction on the terminals.

Figures 4 / 5



2.5.2 - Perform the installation of the highest antenna possible and free of obstacles, other antennas, walls, etc. For optimum performance and good SWR install 10m height of the base of the antenna or at least 5.50m.

### 3 - Adjusting SWR

3.1 - With the antenna mounted and installed in the correct place, check SWR, note the frequency where it gets better on 40m

3.2 - At 12m adjust the swr on the ab1 clamp, start with 2.85m.

3.3 - In 40m where bandwidth is narrow, you must choose which frequency will be the center, knowing the frequency that will be the center and comparing it with the frequency at which the antenna is tuned, it is possible to adjust the size of the antenna on the clamps (AB2) for the frequency chosen as the center. Antenna Frequency above the chosen; increase the antenna to lower the frequency. Going below the selected antenna, decrease the antenna to go up the frequency. The adjustment should be made on both sides of the antenna.

3.3.1 - Each 1cm equals about 40 khz.

3.4 - It is possible to use an antenna-tuner on the entire band of 40m.

3.5 - Try to use the antenna-turner on the other bands.

The contents of this manual are subject to change without notice.

### **WARRANTY**

Diex antenna products are guaranteed for One year against manufacturing defects, Diex may repair or replace parts or all of the product at its own discretion within the warranty period. Damage caused by lightning, falling, forces of nature, misuse, installation by an unqualified person, i.e., improper, negligent or incorrect assembly is not covered by the warranty.

Products that undergo any adaptation or alteration or repairs by unauthorized service automatically void the warranty.

Manual DXA1240V fe

Rua Almirante Lobo 310 – Ipiranga – São Paulo – SP – Brazil

TELEPHONE: +55-11-9-7616-9780 –Whatsapp/Telegram – E-mail: diexantennas@gmail.com.br