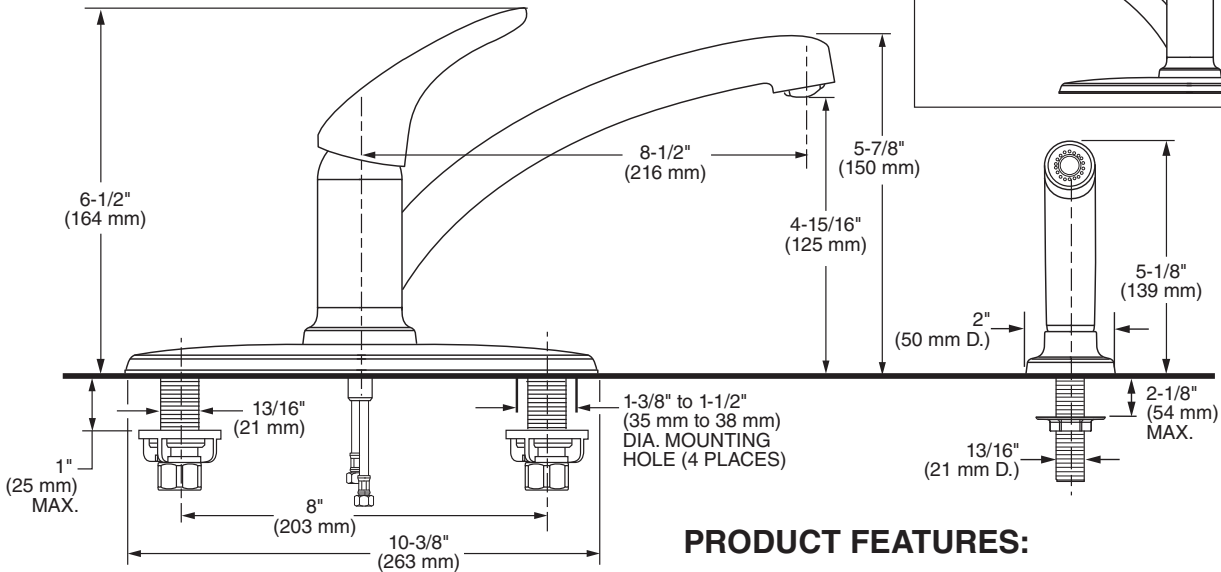
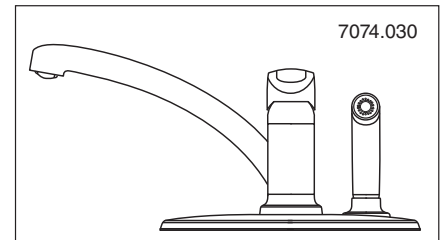


7074.040 Shown

**MODEL NUMBER:**

- 7074.000 Kitchen Faucet**  
Less Side-spray, With Deck-plate.
- 7074.010 Kitchen Faucet**  
Less Side-spray, Less Deck-plate.
- 7074.020 Kitchen Faucet**  
With Side-spray, Less Deck-plate.
- 7074.030 Kitchen Faucet**  
Spray Thru, With Deck-plate.
- 7074.040 Kitchen Faucet**  
With Side-spray, With Deck-plate.



**GENERAL DESCRIPTION:**

Brass 8-1/2" (216 mm) long swivel spout (360° rotation). Metal lever handle. Washerless 35 mm ceramic disc valve cartridge. Integrated 24" color coded stainless steel supply lines with 3/8" compression connections. 1.5gpm/5.7 L/min. maximum flow rate.

**Thermal Disinfection:** Faucet can handle hot water up to 180° F (82°C).

**PRODUCT FEATURES:**

**Ceramic Disc Valve Cartridge:** Assures a lifetime of drip-free performance.

**Lead Free:** Faucet contains ≤ 0.25% total lead content by weighted average.

**Memory Position Valving:** Allows user to turn valve on and off at predetermined temperature setting without readjusting handle position each time.

**Large "Comfort Zone":** Allows easy fine tuning of temperature.

**Flexible Installation:** Faucet installs in one hole and offers multiple configurations to fit your sink/counter hole needs.



ADA COMPLIANT

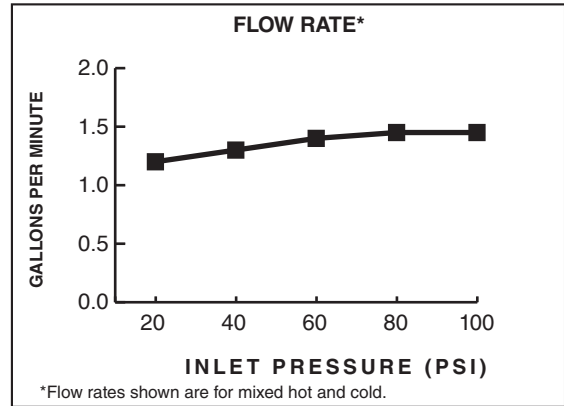
**SUGGESTED SPECIFICATION**

Single control kitchen faucet shall feature brass swivel spout. Shall also feature washerless 40mm ceramic disc valve cartridge and integrated 24" color coded stainless steel supply lines with 3/8" compression connections. Fitting shall be American Standard Model # 7074.0\_\_\_\_\_.

**CODES AND STANDARDS**

These products meet or exceed the following codes and standards:

- ANSI A117.1**
- ASME A112.18.1**
- CSA B125.1**
- NSF 61/Section 9**
- NSF 372**



**1.5gpm/5.7 L/min. FLOW RATE**

Product Number	Description	Finish Options	
		Polished Chrome	Stainless Steel (PVD)
		002	075
7074.000	Kitchen Faucet. Less Side-spray, With Deck-plate.		
7074.010	Kitchen Faucet. Less Side-spray, Less Deck-plate.		<del>X</del>
7074.020	Kitchen Faucet. With Side-spray, Less Deck-plate.		<del>X</del>
7074.030	Kitchen Faucet. Spray thru deck-plate, With Deck-plate.		
7074.040	Kitchen Faucet. With Side-spray, With Deck-plate.		

 Meets the American Disabilities Act Guidelines and **ANSI A117.1** Requirements for the physically challenged.