

Increase the flow

Designed to ease navigation through a tortuous urinary tract, the RocaFlex Ureteral Access Sheath has two working channels and a dilating catheter. At 3 Fr each, the channels include luer lock connections to allow for a safety wire and the injection of a contrast medium.

RocaFlex Ureteral Access Sheath



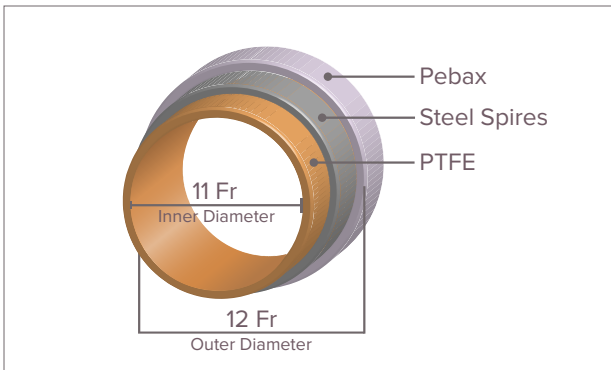
Kink Resistant Coil - Steel spires within the inner coil provide strength and stability while allowing easy entry and withdrawal of the endoscope.

Hydromer™ Hydrophilic Coating - Facilitates a smooth introduction and progression of the access sheath through the urinary tract.



Distal Platinum Ring - Allows for visualization under fluoroscopy in order to confirm the location of the distal tip.

Tapered Introducer/Dilator - Tapers to 4.8 Fr for an atraumatic introduction and dilation.



Better irrigation leads to better visibility.

“(…) The inner diameter of the 10/12 BiFlex is actually 11F, so intraneal pressures were lower and irrigation flow was higher (…). The irrigation flow measurements were in accordance with pressure measurements”^{**†}

*T. Sener, J Cloutier, L Villa, F. Marson, Buttice, S. Doizi, and O. Traxer-France Journal of Endourology, September 18, 2015

†BiFlex has been rebranded RocaFlex

Ordering Information

Product Code	Description
ROUS1035ST	RocaFlex Ureteral Access Sheath & Dilation Catheter, 10/12 Fr x 35 cm
ROUS1045ST	RocaFlex Ureteral Access Sheath & Dilation Catheter, 10/12 Fr x 45 cm
ROUS1235ST	RocaFlex Ureteral Access Sheath & Dilation Catheter, 12/14 Fr x 35 cm
ROUS1245ST	RocaFlex Ureteral Access Sheath & Dilation Catheter, 12/14 Fr x 45 cm

For more information, visit www.typenexsurgical.com.
Products distributed by Typenex Surgical. Manufactured by Promepia.