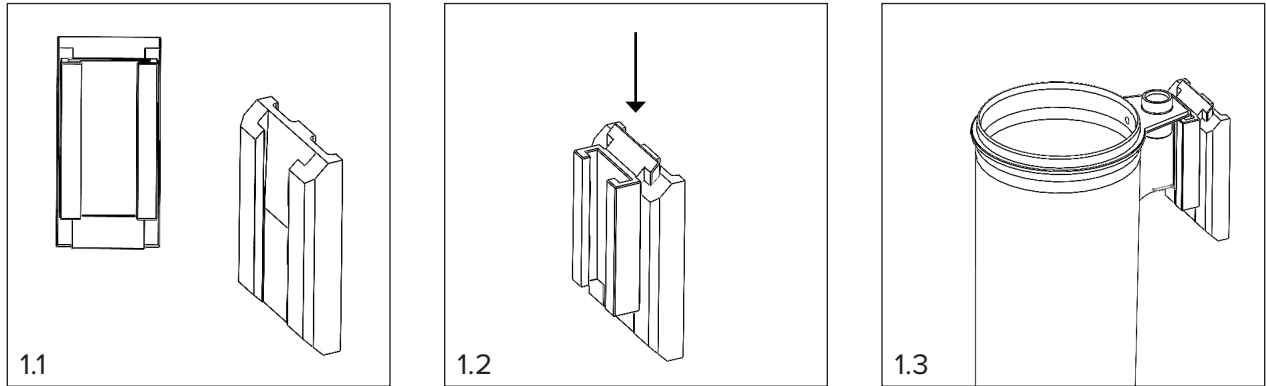


# Fluid Fighter® Suction Canister Wall Hanger Adapter

## INSTRUCTIONS FOR USE



### INTENDED USE

The Fluid Fighter® Suction Canister Wall Hanger Adapter is used to hang a Fluid Fighter® Suction Canister on an existing CardinalHealth™ wall hanger.

### INSTALLATION

1. Slide a Fluid Fighter Suction Canister Wall Hanger Adapter into the existing CardinalHealth wall hanger (as shown in Figure 1.2).
2. Slide a Fluid Fighter Suction Canister into the Fluid Fighter Suction Canister Wall Hanger Adapter (as shown in Figure 1.3).
  - a. Depending on the condition of the existing CardinalHealth wall hanger, the Fluid Fighter Suction Canister Wall Hanger Adapter may or may not fit completely in the wall hanger.

### WARNINGS

- This product is designed to be used only by healthcare professionals.
- Inspect the product for damage before use.
  - Any damage to the product may affect product performance.
  - Do not use the product if you suspect any damage.
- Do not use the product beyond its intended use of hanging a Fluid Fighter Suction Canister on an existing CardinalHealth wall hanger.

**NOTE:** Any negative situation regarding the product should be reported to Pergo Medikal ve İlaç Sanayi A.Ş.

### INDICATIONS

The Fluid Fighter Suction Canister Wall Hanger Adapter is used to hang a Fluid Fighter Suction Canister on an existing CardinalHealth wall hanger.

### CONTRAINDICATIONS

There are no contraindications for the Fluid Fighter Suction Canister Wall Hanger Adapter.

## PRACTITIONER AUDIENCE

The Fluid Fighter Suction Canister Wall Hanger Adapter is to be used only by healthcare professionals in a healthcare setting.

## STERILITY

The Fluid Fighter Suction Canister Wall Hanger Adapter is a non-sterile product.

## PRODUCT DISPOSAL

Reusable products should be replaced if they lose their functionality or have any damage. The products should be disposed of per your facility's standard disposal practices.

## CLEANING INSTRUCTIONS

When cleaning reusable parts, use of a mild cleaning detergent, a soft wash cloth, and water is recommended.

**NOTE:** It is preferred to use a microfiber wash cloth.

**NOTE:** Do not use strong acids or oxidizing agents for cleaning.

1. Prepare a water-based detergent solution per the product's Instructions for Use on the label.
2. Apply the water-based detergent solution to all surfaces of the reusable product using a soft wash cloth.
3. Rinse the water-based detergent from all surfaces using water and a soft wash cloth.
4. Dry excess water from the reusable product using a clean, dry wash cloth. After manual drying, 24 hours of air drying is recommended.

## STORAGE AND TRANSPORTATION CONDITIONS


Products should be stored in a dry, warm, enclosed environment. All products should be protected from damp, dirty, and dusty environments. Products can be transported under ambient atmospheric conditions provided they are protected from rain, dust, and direct sunlight. Temperature-controlled transportation is not required.

## SHELF LIFE

The Fluid Fighter Suction Canister Wall Hanger Adapters have no shelf life limitations. For best results and prolonged life, clean the Fluid Fighter Suction Canister Wall Hanger Adapter immediately after use.

Symbol Glossary available digitally at [www.pergomed.com/symbolglossary.aspx](http://www.pergomed.com/symbolglossary.aspx).

CardinalHealth™ is a trademark of Cardinal Health Technologies, LLC.

 **Pergo Medikal ve İlaç Sanayi A.Ş.**  
Buca OSB Mah. 2/20 Sok. BEGOS Sit. No:9  
Buca - İzmir / Turkey  
[www.pergomed.com](http://www.pergomed.com)

Distributed by **Typhenex® Medical**  
303 East Wacker Drive, Suite 1030  
Chicago, Illinois 60601 USA  
866-897-3639  
[www.typhenex.com](http://www.typhenex.com)



LBL-01335.1