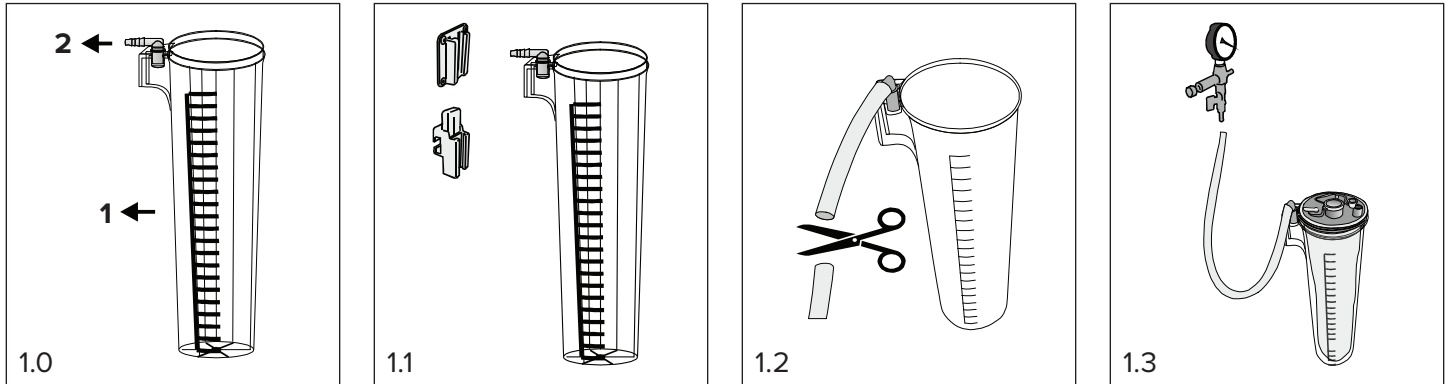


Fluid Fighter® Suction Canister

INSTRUCTIONS FOR USE



Please read the **Instructions for Use** carefully before using the product and do not perform any actions other than those specified in this document. The product is only to be used by healthcare professionals. It is the responsibility of the healthcare facility to ensure that all healthcare professionals are trained and competent in the use of these devices, as well as the facility's infection control protocols. Pergo Medikal ve İlaç Sanayi A.Ş. cannot be held responsible if the product is used outside of its intended use as outlined in this document. Using a damaged product is dangerous and should not be done under any circumstance.

INTENDED USE

The Fluid Fighter® Suction Canister is designed to hold the Fluid Fighter® Suction Liner, providing necessary connections to the suction source, patient port, and other Fluid Fighter Suction Canisters and Liners when serial connection is used.

PACKAGE CONTENTS

(As shown in Figure 1.0)

1. Reusable Fluid Fighter Suction Canister
2. Vacuum Connector (Pre-attached to the Fluid Fighter Suction Canister)

PRODUCT USAGE

1. Place the Fluid Fighter Suction Canister in a Fluid Fighter Wall Hanger (*Typenex Medical Part Number: SC0405WH*), Fluid Fighter Rail Hanger (*Typenex Medical Part Number: SC0405RH*), or Fluid Fighter Wall Hanger Adapter (*Typenex Medical Part Number: SC0405WH*) in an upright position (as shown in Figure 1.1).
2. The distance between the suction source and the vacuum connector on the Fluid Fighter Suction Canister should be measured and silicone tubing cut to 1.5 times the distance measured (as shown in Figure 1.2).
3. One end of the cut silicone tubing should be connected to a vacuum source (as shown in Figure 1.3) and the other end should be connected to the vacuum connector on the Fluid Fighter Suction Canister.

NOTE: The Fluid Fighter Suction Canister is equipped with a scale that displays the amount of fluid suctioned, with an accuracy of ± 100 cc.

NOTE: The Fluid Fighter Suction Canister can also be attached to the Fluid Fighter Suction Canister Trolley.

WARNINGS

- This product is designed to be used only by healthcare professionals.
- Inspect the product for damage before use.
 - Any damage to the product may affect product performance.
- Proper precautions should be taken to avoid any risks that may occur to a patient during use.
- Keep a spare product close by in case of error.
- Users should take proper precautions to protect themselves from the risk of contamination and use the product carefully.
- Do not use the product beyond its intended use.

NOTE: Any negative situation regarding the product should be reported to Pergo Medikal ve İlaç Sanayi A.Ş.

INDICATIONS

The Fluid Fighter Suction Canister is designed to hold the Fluid Fighter Suction Liner, providing necessary connections to the suction source, patient port, and other Fluid Fighter Suction Canisters and Liners when serial connection is used.

CONTRAINDICATIONS

There are no contraindications for the Fluid Fighter Suction Canisters.

PRODUCT DISPOSAL

After use, this product may be a potential biohazard. Handle the product with care and dispose of it in accordance to your facility's standard disposal practices and applicable local, state, and federal laws and regulations. This product is reusable and may be cleaned using one of the methods listed below.

CLEANING INSTRUCTIONS

AUTOCCLAVE: The Fluid Fighter Suction Canisters are autoclavable. They can autoclave at 121 °C for 20 minutes or at 134 °C for 4 minutes. Remove the vacuum connector and/or the Fluid Fighter Vacuum Control Valves from the Fluid Fighter Suction Canister before autoclaving.

CHEMICAL DISINFECTION: A wipe or liquid disinfectant can be used to disinfect the Fluid Fighter Suction Canisters per the product's Instructions for Use on the label. The disinfectant being used should be comprised of >70% isopropanol or ethanol.

MANUAL: When cleaning reusable parts, use of a mild cleaning detergent with neutral pH, a soft wash cloth, and room temperature water is recommended.

NOTE: It is preferred to use a microfiber wash cloth.

NOTE: Do not use strong acids or oxidizing agents for cleaning.

1. Prepare a water-based detergent solution per the product's Instructions for Use on the label.
2. Apply the water-based detergent solution to all surfaces of the reusable product using a soft wash cloth.
3. Rinse the water-based detergent from all surfaces using water and a soft wash cloth.

4. Dry excess water from the reusable product using a clean, dry wash cloth. After manual drying, 24 hours of air drying is recommended.


STORAGE AND TRANSPORTATION CONDITIONS

Products should be stored in a dry, warm, enclosed environment. All products should be protected from damp, dirty, and dusty environments. Products can be transported under ambient atmospheric conditions provided they are protected from rain, dust, and direct sunlight. Temperature-controlled transportation is not required.

SHELF LIFE

The Fluid Fighter Suction Canisters have no shelf life limitations.

Symbol Glossary available digitally at www.pergomed.com/symbolglossary.aspx.

 **Pergo Medikal ve İlaç Sanayi A.Ş.**
Buca OSB Mah. 2/20 Sok. BEGOS Sit. No:9
Buca - İzmir / Turkey
www.pergomed.com

05MN0138_00

Distributed by Typenex® Medical
303 East Wacker Drive, Suite 1030
Chicago, Illinois 60601 USA
866-897-3639
www.typhenex.com



LBL-01332.1