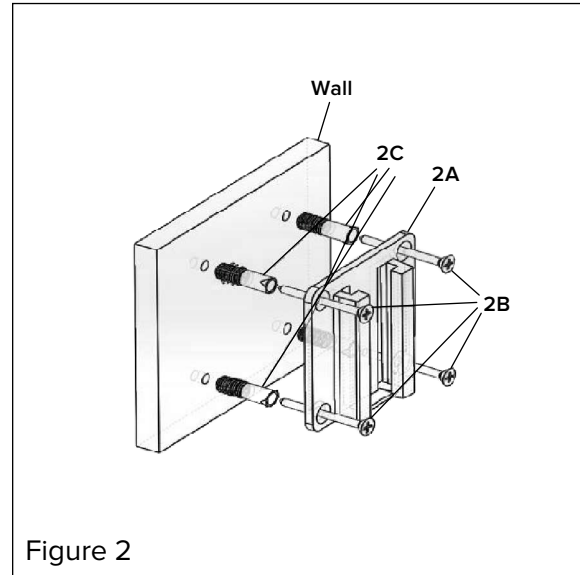
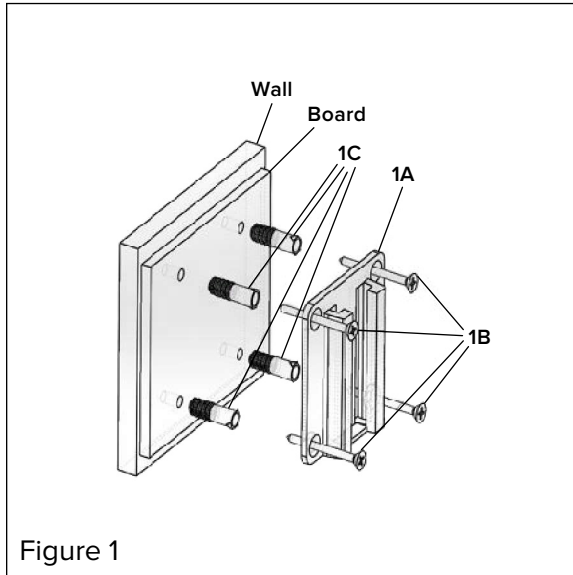


Fluid Fighter® Suction Canister Wall Hanger Set

INSTRUCTIONS FOR USE



INTENDED USE

The Fluid Fighter® Suction Canister Wall Hanger Set is used to affix a Fluid Fighter® Suction Canister onto a wall.

INSTALLATION

1. Mark the surface where the holes will be drilled to install a Fluid Fighter Suction Canister Wall Hanger using the hanger as a template. Drill the 4 holes, as marked, into the wall. Mount the included dowels onto the wall at a depth of 35 mm and place a wall plug into each of the 4 holes.
2. Secure the Fluid Fighter Suction Canister Wall Hanger onto the wall using the provided screws.
 - a. When screwing the Fluid Fighter Suction Canister Wall Hanger onto the wall, make sure it is screwed in securely — but do not overtighten.

NOTE:

- If there is a plate on the wall (*as shown in Figure 1*), the provided 50 mm long screws should be used.
- If the Fluid Fighter Suction Canister Wall Hanger is to be affixed directly on a wall (*as shown in Figure 2*), the provided 30 mm long screws should be used.

WARNINGS

- The Fluid Fighter Suction Canister Wall Hanger should only be used with Fluid Fighter Suction Canisters.
- Inspect the product for damage before use.
 - Any damage to the product may affect product performance.
- Do not use the product beyond its intended use.

NOTE: Any negative situation regarding the product should be reported to Pergo Medikal ve İlaç Sanayi A.Ş.

INDICATIONS

The Fluid Fighter Suction Canister Wall Hanger Set is used to affix a Fluid Fighter Suction Canister onto a wall.

CONTRAINDICATIONS

There are no contraindications for the Fluid Fighter Suction Canister Wall Hanger Set.

PRACTITIONER AUDIENCE

The Fluid Fighter Suction Canister Wall Hanger Set is to be used only by healthcare professionals in a healthcare setting.

STERILITY

The Fluid Fighter Suction Canister Wall Hanger Set is a non-sterile product.

PRODUCT DISPOSAL

Reusable products should be replaced if they lose their functionality or have any damage. The products should be disposed of per your facility's standard disposal practices.

CLEANING INSTRUCTIONS

When cleaning reusable parts, use of a mild cleaning detergent, a soft wash cloth, and water is recommended.

NOTE: It is preferred to use a microfiber wash cloth.

NOTE: Do not use strong acids or oxidizing agents for cleaning.

1. Prepare a water-based detergent solution per the product's Instructions for Use on the label.
2. Apply the water-based detergent solution to all surfaces of the reusable product using a soft wash cloth.
3. Rinse the water-based detergent from all surfaces using water and a soft wash cloth.
4. Dry excess water from the reusable product using a clean, dry wash cloth. After manual drying, 24 hours of air drying is recommended.


STORAGE AND TRANSPORTATION CONDITIONS

Products should be stored in a dry, warm, enclosed environment. All products should be protected from damp, dirty, and dusty environments. Products can be transported under ambient atmospheric conditions provided they are protected from rain, dust, and direct sunlight. Temperature-controlled transportation is not required.

SHELF LIFE

The Fluid Fighter Suction Canister Wall Hanger Set has no shelf life limitations. For best results and prolonged life, clean the Fluid Fighter Suction Canister Wall Hanger Set immediately after use.

Symbol Glossary available digitally at www.pergomed.com/symbolglossary.aspx.

 Pergo Medikal ve İlaç Sanayi A.Ş.
Buca OSB Mah. 2/20 Sok. BEGOS Sit. No:9
Buca - İzmir / Turkey
www.pergomed.com

Distributed by Typenex® Medical
303 East Wacker Drive, Suite 1030
Chicago, Illinois 60601 USA
866-897-3639
www.typenex.com



LBL-01336.2