



TINDERBOX
[RANGE] MULTI FUEL | LOG BOX | WOOD



Firepod
RANGE



THE LAKES
stove range



Solway
MULTI FUEL RANGE



vale

mifires
fires and fireplaces



Firepod
RANGE



RONDO



FIRECRACKER



FireBlossom



WASHINGTON



MULTIFUEL
Chatsworth



Smoke Control Area Exempt



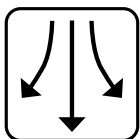
Hearth Compatible



Easy Use Operation



Self-cleaning Window



Tertiary Air System



WOOD BURNING & MULTI-FUEL STOVE RANGE

With over ten years experience designing wood-burning and multi-fuel stoves we are pleased to offer a comprehensive range of premium quality EcoDesign ready room heating products.

Designed in Britain and engineered from the ground up to meet the needs of modern room heating. With all the latest and future environmental and safety standards.

We offer a diverse range of stoves manufactured to impeccable standards, each range of stoves offers its own distinct style and character. Whichever you choose, all of our stoves are built for a lifetime of dependable use.

Built with the finest quality materials. Doors shut reassuringly to form an airtight seal, and air controls slide home both easily and responsively - year after year. Cast iron and heavy gauge steel are used across our ranges to ensure each stove is built to the highest tolerances.

Possessing excellent thermal qualities, cast iron allows for the casting of intricate designs, making it perfect for traditional stoves. Heavy gauge steel is also an outstanding choice for stove construction, offering greater scope for design thanks to its versatile nature.

Featuring large ceramic glass door panels, you will enjoy a stunning view of the fire, especially as the glass is continually swept clear of combustion deposits by a sophisticated air wash system.

Clean burn technology and lined fireboxes ensure that you get the maximum efficiency from your fuel supplies - whether you choose to burn wood or solid fuel.

MULTI-FUEL

Multi-fuel stoves can burn a variety of fuels - as their name suggests. The freedom to choose your fuel is convenient and they are as efficient as wood-burning stoves, delivering remarkable levels of energy efficiency ratings of over 80%.

Multi-fuel stoves work by creating a controlled environment in which different types of fuel help burn more efficiently and by keeping waste gases within the stove for longer and at hotter temperatures.

OUTSIDE AIR

Many of our stoves can be connected to a direct air supply. This allows combustion air to be drawn into the stove directly from outside your home. Our direct air kit is designed for optimum performance with our stoves.

* All efficiency rates shown are for wood-burning. Please check our website for multi fuel efficiency rates.



miFires

fires and fireplaces



CHATSWORTH	System	Page
WOOD RANGE Large, Medium	MF129	4 - 5
MULTI-FUEL RANGE Large, Medium		
WASHINGTON	System	Page
Large, Medium	MF129	6
FIRECRACKER	System	Page
Large, Medium	MF129	7
FIREBLOSSOM	System	Page
FireBlossom, Pedestal	MF140	8 - 9
THE LAKES	System	Page
Grisedale, Loughrigg, Skiddaw, Derwent Small, Derwent Medium, Derwent Large, Coniston Inset, Coniston Inset Large	MF136	10 - 13
TINDERBOX	System	Page
WOOD RANGE Tall, Large, Medium, Small	MF137	14 - 15
MULTI-FUEL RANGE Large, Medium, Small	MF137	16 - 17
LOG BOX RANGE Large, Medium, Small	MF137	18 - 19
SOLWAY MULTI-FUEL RANGE	System	Page
Large, Medium, Small	MF141	20 - 21
OVALE	System	Page
Low, Low with Door, Tall, Tall on Pedestal,	MF144	22 - 23
RONDO & POPPY	System	Page
Pedestal, Door, Logstore, Poppy	MF149	24 - 25
FIREPOD	System	Page
Medium, Logstore, Pedestal, Tall	MF129	26 - 27
Technical information		Page
Dimensions		28 - 31



Smoke Control Area Exempt



12mm Hearth Compatible



Easy Use Operation



Self-cleaning Window



Tertiary Air System



With all the advanced features, build quality and style that you would expect from an Mi-Fires Stove, the Chatsworth introduce a touch of regency charm with elegantly sculpted lines and bespoke detail.

Large

129-L-CHATS

5kW
Output

80.4%
Efficiency



Medium

129-M-CHATS

5kW
Output

85.1%
Efficiency



Large

129-L-CHATS



Medium

129-M-CHATS

Fuel	Wood
kW	5
Efficiency	80.4%
Flue size	125mm
Outlet	Top & rear
Outside air	Optional
Materials	Steel body and cast iron door

Fuel	Wood
kW	5
Efficiency	85.1%
Flue size	125mm
Outlet	Top & rear
Outside air	Optional
Materials	Steel body and cast iron door

Weight	102kg
Height	640mm
Width	541mm
Depth	375mm

Weight	87kg
Height	600mm
Width	461mm
Depth	375mm

Distance to combustibles

Back	250mm
Sides	400mm

Distance to non-combustibles

Back	50mm
Sides	75mm

Hearth projection

Front	400mm
Sides	150mm

Distance to furniture

Front	1075mm
Suitable for 12mm hearth	

Yes

Distance to combustibles

Back	250mm
Sides	400mm

Distance to non-combustibles

Back	50mm
Sides	75mm

Hearth projection

Front	400mm
Sides	150mm

Distance to furniture

Front	1075mm
Suitable for 12mm hearth	

Yes

Multi-fuel Chatsworth fires and fireplaces

The Mullite firebricks help achieve a high combustion chamber temperature ensuring increased fuel efficiency and reduced particulate emissions.



Medium Multi-fuel

129-MMF-CHATS

Fuel	Multi-fuel
kW	5
Efficiency	82.5%
Flue size	125mm
Outlet	Top & rear
Outside air	Optional
Materials	Steel body, cast iron door & lid
Weight	81kg
Height	635mm
Width	471mm
Depth	363mm

Large Multi-fuel

129-LMF-CHATS

Fuel	Multi-fuel
kW	5
Efficiency	81.3%
Flue size	125mm
Outlet	Top & rear
Outside air	Optional
Materials	Steel body, cast iron door & lid
Weight	91kg
Height	635mm
Width	541mm
Depth	363mm

Distance to combustibles

Back 450mm

Sides 600mm

Distance to non-combustibles

Back 50mm

Sides 75mm

Hearth projection

Front 400mm

Sides 150mm

Distance to furniture

Front 1075mm

Suitable for 12mm hearth

Yes

Distance to combustibles

Back 500mm

Sides 600mm

Distance to non-combustibles

Back 50mm

Sides 75mm

Hearth projection

Front 400mm

Sides 150mm

Distance to furniture

Front 1075mm

Suitable for 12mm hearth

Yes



Large
129-LMF-CHATS

5kW Output | **81.3%** Efficiency



Medium
129-MMF-CHATS

5kW Output | **82.5%** Efficiency





Smoke Control Area Exempt



Hearth Compatible



Easy Use Operation



Self-cleaning Window



Tertiary Air System



Large
129-L-WASH
5kW Output | **80.4%** Efficiency



Medium
129-M-WASH
5kW Output | **85.1%** Efficiency



Large

129-L-WASH



Medium

129-M-WASH

Fuel	Wood
kW	5
Efficiency	80.4%
Flue size	125mm
Outlet	Top & rear
Outside air	Optional
Materials	Steel body, cast iron door & lid
Weight	94kg
Height	642.5mm
Width	506mm
Depth	351mm

Fuel	Wood
kW	5
Efficiency	85.1%
Flue size	125mm
Outlet	Top & rear
Outside air	Optional
Materials	Steel body, cast iron door & lid
Weight	79kg
Height	582.5mm
Width	426mm
Depth	350mm

Distance to combustibles	
Back	250mm
Sides	400mm
Distance to non-combustibles	
Back	50mm
Sides	75mm
Hearth projection	
Front	400mm
Sides	150mm
Distance to furniture	
Front	1075mm
Suitable for 12mm hearth	
	Yes

Distance to combustibles	
Back	250mm
Sides	400mm
Distance to non-combustibles	
Back	50mm
Sides	75mm
Hearth projection	
Front	400mm
Sides	150mm
Distance to furniture	
Front	1075mm
Suitable for 12mm hearth	
	Yes



Smoke Control Area Exempt



Hearth Compatible



Easy Use Operation



Self-cleaning Window



Tertiary Air System



Large

129-L-FCRACKER



Medium

129-M-FCRACKER

Fuel	Wood
kW	5
Efficiency	80.4%

Flue size	125mm
Outlet	Top & rear
Outside air	Optional

Materials	Steel body and cast iron door
-----------	-------------------------------

Weight	76kg
Height	590mm
Width	490mm
Depth	347mm

Distance to combustibles

Back	250mm
Sides	400mm

Distance to non-combustibles

Back	50mm
Sides	75mm

Hearth projection

Front	400mm
Sides	150mm

Distance to furniture

Front	1075mm
-------	--------

Suitable for 12mm hearth

Yes

Fuel	Wood
kW	5
Efficiency	85.1%

Flue size	125mm
Outlet	Top & rear
Outside air	Optional

Materials	Steel body and cast iron door
-----------	-------------------------------

Weight	64kg
Height	550mm
Width	410mm
Depth	345mm

Distance to combustibles

Back	250mm
Sides	400mm

Distance to non-combustibles

Back	50mm
Sides	75mm

Hearth projection

Front	400mm
Sides	150mm

Distance to furniture

Front	1075mm
-------	--------

Suitable for 12mm hearth

Yes

Large
129-L-FCRACKER
5kW Output | 80.4% Efficiency



Medium
129-M-FCRACKER

5kW Output | 85.1% Efficiency





Smoke Control Area Exempt



Hearth Compatible



Easy Use Operation



Self-cleaning Window



Tertiary Air System



FireBlossom on Pedestal

140-FB-P

FireBlossom

140-FB

Fuel	Multi-fuel
kW	5
Efficiency	86.1%
Flue size	125mm
Outlet	Top & rear
Outside air	Included
Materials	Steel body and door
Weight	105kg
Height	997mm
Width	456mm
Depth	456mm

Distance to combustibles
Insulated flue / Non Insulated flue

Back 70/130mm

Sides 420/420mm

Corners 160/220mm

Distance to non-combustibles

Back 50mm

Sides 150mm

Hearth projection

Front 400mm

Sides 150mm

Distance to furniture

Front 1100mm

Suitable for 12mm hearth

Yes

Fuel	Multi-fuel
kW	5
Efficiency	86.1%
Flue size	125mm
Outlet	Top & rear
Outside air	Included
Materials	Steel body and door
Weight	110kg
Height	941mm
Width	456mm
Depth	456mm

Distance to combustibles
Insulated flue / Non Insulated flue

Back 70/130mm

Sides 420/420mm

Corners 160/220mm

Distance to non-combustibles

Back 50mm

Sides 150mm

Hearth projection

Front 400mm

Sides 150mm

Distance to furniture

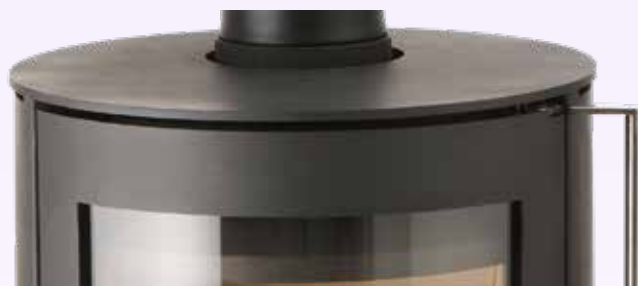
Front 1100mm

Suitable for 12mm hearth

Yes

With its round form, full length handle and large curved ceramic glass window, Fireblossom is not only an elegant wood-burning stove, but is also capable of burning approved solid fuels.

The highly efficient fire chamber not only generates outstanding efficiency figures up to 86.1%, but coupled with the powerful tertiary air ports you can be sure that you own one of the most environmentally friendly stoves of this style available.



FireBlossom Pedestal

140-FB-P

5kW
Output

86.1%
Efficiency



FireBlossom

140-FB

5kW
Output

86.1%
Efficiency



Skiddaw

136-SKIDDAW

5kW
Output

85.1%
Efficiency



The LAKES range of stoves continues to be a fitters favourite. We've expanded the range with the addition of two Derwent fires, now in Small and Large, plus the Large Coniston Inset

Grisedale

136-GRISEDALE

5kW
Output

80.4%
Efficiency



Loughrigg

136-LOUGHRIGG

4.9kW
Output

82.7%
Efficiency



Derwent Small

136-S-DERWENT

4.2kW
Output

79.2%
Efficiency





Grisedale

Skiddaw

Loughrigg

Derwent Small

136-GRISEDALÉ

136-SKIDDAW

136-LOUGHRIGG

136-S-DERWENT

Fuel	Wood
kW	5
Efficiency	80.4%
Flue size	125mm
Outlet	Top & rear
Outside air	Optional
Materials	Steel body, cast iron door
Weight	76kg
Height	590mm
Width	490mm
Depth	332mm

Fuel	Wood
kW	5
Efficiency	85.1%
Flue size	125mm
Outlet	Top & rear
Outside air	Optional
Materials	Steel body, cast iron door
Weight	64kg
Height	530mm
Width	410mm
Depth	332mm

Fuel	Wood
kW	4.9
Efficiency	82.7%
Flue size	125mm
Outlet	Top & rear
Outside air	Optional
Materials	Steel body, cast iron door
Weight	65kg
Height	494mm
Width	446mm
Depth	332mm

Fuel	Wood
kW	4.2
Efficiency	79.2%
Flue size	125mm
Outlet	Top & rear
Outside air	Optional
Materials	Fully cast iron
Weight	50kg
Height	453mm
Width	346mm
Depth	259mm

Distance to combustibles	
Back	250mm
Sides	400mm
Distance to non-combustibles	
Back	50mm
Sides	75mm
Hearth projection	
Front	400mm
Sides	150mm
Distance to furniture	
Front	1075mm
Suitable for 12mm hearth	
Yes	

Distance to combustibles	
Back	250mm
Sides	400mm
Distance to non-combustibles	
Back	50mm
Sides	75mm
Hearth projection	
Front	400mm
Sides	150mm
Distance to furniture	
Front	1075mm
Suitable for 12mm hearth	
Yes	

Distance to combustibles	
Back	300mm
Sides	400mm
Distance to non-combustibles	
Back	50mm
Sides	75mm
Hearth projection	
Front	400mm
Sides	150mm
Distance to furniture	
Front	1075mm
Suitable for 12mm hearth	
Yes	

Distance to combustibles	
Back	240mm
Sides	440mm
Corners	360mm
Distance to non-combustibles	
Back	50mm
Sides	75mm
Hearth projection	
Front	300mm
Sides	150mm
Distance to furniture	
Front	770mm
Suitable for 12mm hearth	
Yes	

mi fires The Lakes Multi-fuel



Smoke Control Area Exempt



Hearth Compatible



Easy Use Operation



Self-cleaning Window



Tertiary Air System



OPTIONAL



Derwent

136-DERWENT



Derwent Large

136-L-DERWENT



Coniston Inset

136-CONISTON



Coniston Inset Large

136-L-CONISTON

Fuel	Multi-fuel
kW	5
Efficiency	80.7%
Flue size	125mm
Outlet	Top & rear
Outside air	No
Materials	Fully cast iron
Weight	65kg
Height	502mm
Width	438mm
Depth	283mm

Distance to combustibles

Back 850mm

Sides 600mm

Distance to non-combustibles

Back 50mm

Sides 75mm

Hearth projection

Front 400mm

Sides 150mm

Distance to furniture

Front 1075mm

Suitable for 12mm hearth

Yes

Fuel	Multi-fuel
kW	8
Efficiency	79.4
Flue size	125mm
Outlet	Top & rear
Outside air	Optional
Materials	Fully cast iron
Weight	100kg
Height	585mm
Width	504mm
Depth	317mm

Distance to combustibles

Back 380mm

Sides 580mm

Corner 470mm

Distance to non-combustibles

Back 50mm

Sides 75mm

Hearth projection

Front 400mm

Sides 150mm

Distance to furniture

Front 1370mm

Suitable for 12mm hearth

Yes

Fuel	Multi-fuel
kW	5
Efficiency	82.5%
Flue size	125mm
Outlet	Top
Outside air	Included
Materials	Steel body, cast iron door
Weight	70kg
Height	640mm (4 side) 595mm (3 side)
Width	500mm
Depth	431mm

Distance to combustibles

Back 250mm

Sides 250mm

Top Mantle 500mm

Hearth projection

Front 400mm

Sides 150mm

Distance to furniture

Front 1200mm

Suitable for 12mm hearth

No

Fuel	Multi-fuel
kW	8
Efficiency	80.7%
Flue size	150mm
Outlet	Top
Outside air	Included
Materials	Steel body, cast iron door
Weight	99kg
Height	646mm (4 side) 600mm (3 side)
Width	636mm
Depth	405mm

Distance to combustibles

Back 110mm

Sides 110mm

Top Mantle 800mm

Hearth projection

Front 400mm

Sides 150mm

Distance to furniture

Front 1200mm

Suitable for 12mm hearth

No

Derwent

136-DERWENT

5kW
Output

80.7%
Efficiency



The LAKES range of stoves continues to be a fitters favourite. We've expanded the range with the addition of two Derwent fires, now in Small and Large, plus the Large Coniston Inset

Derwent Large

136-L-DERWENT

8kW
Output

79.4%
Efficiency



Coniston Inset

136-CONISTON

5kW
Output

82.5%
Efficiency



Coniston Inset Large

136-L-CONISTON

8kW
Output

80.7%
Efficiency



Small

137-S-TINDERBOX

4.9kW Output | **82.7%** Efficiency



With a gently curved door and arched window frame, the contemporary styling of the Tinderbox wood stove brings elegance to any room setting

Large

137-L-TINDERBOX

5kW Output | **80.4%** Efficiency



Tall

137-T-TINDERBOX

5kW Output | **80.4%** Efficiency



Medium

137-M-TINDERBOX

5kW Output | **81.5%** Efficiency



Tinderbox Wood fires and fireplaces



Small

137-S-TINDERBOX

Fuel	Wood
kW	4.9
Efficiency	82.7%
Flue size	125mm
Outlet	Top & rear
Outside air	Optional
Materials	Steel body, cast iron door
Weight	65kg
Height	494mm
Width	446mm
Depth	377mm

Distance to combustibles	
Back	300mm
Sides	400mm
Distance to non-combustibles	
Back	50mm
Sides	75mm
Hearth projection	
Front	400mm
Sides	150mm
Distance to furniture	
Front	1075mm
Suitable for 12mm hearth	
Yes	



Medium

137-M-TINDERBOX

Fuel	Wood
kW	5
Efficiency	85.1%
Flue size	125mm
Outlet	Top & rear
Outside air	Optional
Materials	Steel body, cast iron door
Weight	64kg
Height	530mm
Width	410mm
Depth	352mm

Distance to combustibles	
Back	250mm
Sides	400mm
Distance to non-combustibles	
Back	50mm
Sides	75mm
Hearth projection	
Front	400mm
Sides	150mm
Distance to furniture	
Front	1075mm
Suitable for 12mm hearth	
Yes	



Large

137-L-TINDERBOX

Fuel	Wood
kW	5
Efficiency	80.4%
Flue size	125mm
Outlet	Top & rear
Outside air	Optional
Materials	Steel body, cast iron door
Weight	76kg
Height	590mm
Width	490mm
Depth	382mm

Distance to combustibles	
Back	250mm
Sides	400mm
Distance to non-combustibles	
Back	50mm
Sides	75mm
Hearth projection	
Front	400mm
Sides	150mm
Distance to furniture	
Front	1075mm
Suitable for 12mm hearth	
Yes	



Tall

137-T-TINDERBOX

Fuel	Wood
kW	5
Efficiency	80.4%
Flue size	125mm
Outlet	Top & rear
Outside air	Optional
Materials	Steel body, cast iron door
Weight	80kg
Height	694mm
Width	490mm
Depth	382mm

Distance to combustibles	
Back	250mm
Sides	400mm
Distance to non-combustibles	
Back	50mm
Sides	75mm
Hearth projection	
Front	400mm
Sides	150mm
Distance to furniture	
Front	1075mm
Suitable for 12mm hearth	
Yes	



Smoke Control Area Exempt



Hearth Compatible



Easy Use Operation



Self-cleaning Window



Tertiary Air System



INCLUDED



Small Multi-fuel

137-SMF-TBOX



Medium Multi-fuel

137-MMF-TBOX



Large Multi-fuel

137-LMF-TBOX

Fuel	Multi-fuel
kW	5
Efficiency	83.0%
Flue size	125mm
Outlet	Top & rear
Outside air	Included
Materials	Steel body, cast iron door
Weight	59kg
Height	548mm
Width	370mm
Depth	319mm

Fuel	Multi-fuel
kW	5
Efficiency	82.5%
Flue size	125mm
Outlet	Top & rear
Outside air	Included
Materials	Steel body, cast iron door
Weight	71kg
Height	614mm
Width	420mm
Depth	334mm

Fuel	Multi-fuel
kW	5
Efficiency	81.3%
Flue size	125mm
Outlet	Top & rear
Outside air	Included
Materials	Steel body, cast iron door
Weight	81kg
Height	615mm
Width	490mm
Depth	343mm

Distance to combustibles

Back 350mm

Sides 600mm

Distance to non-combustibles

Back 50mm

Sides 75mm

Hearth projection

Front 300mm

Sides 150mm

Distance to furniture

Front 1075mm

Suitable for 12mm hearth

Yes

Distance to combustibles

Back 450mm

Sides 600mm

Distance to non-combustibles

Back 50mm

Sides 75mm

Hearth projection

Front 400mm

Sides 150mm

Distance to furniture

Front 1075mm

Suitable for 12mm hearth

Yes

Distance to combustibles

Back 500mm

Sides 600mm

Distance to non-combustibles

Back 50mm

Sides 75mm

Hearth projection

Front 400mm

Sides 150mm

Distance to furniture

Front 1075mm

Suitable for 12mm hearth

Yes

Multi-fuel stoves work by creating a controlled environment in which different types of fuel help burn more efficiently and by keeping waste gases within the stove for longer and at hotter temperatures.

Multi-fuel stoves can burn a variety of fuels - as their name suggests. The freedom to choose your fuel is convenient and they are as efficient as wood-burning stoves, delivering remarkable levels of energy efficiency ratings of over 80%.



The popularity and style of the Tinderbox range is replicated here but with the versatility of a Multi Fuel engine.

Not only is it an extremely efficient wood burning stove, the Tinderbox Multi Fuel is also suitable for burning a range of approved smokeless fuels

It is also equipped with a powerful air wash system to help keep the glass clear for an uninterrupted view of the fire.

Each stove is provided with a manifold to enable a direct external combustion air connection.



Large
137-LMF-TBOX

5kW
Output

81.3%
Efficiency



Medium

137-MMF-TBOX

5kW
Output

82.5%
Efficiency



Small

137-SMF-TBOX

5kW
Output

83.0%
Efficiency



Large Log Box

137-SLG-TBOX

5kW
Output

80.4%
Efficiency



The same elegant fire as a Tinderbox wood stove, but with the addition of a convenient and stylish log store.



Medium Log Box

137-MLG-TBOX

5kW
Output

81.5%
Efficiency



Small Log Box

137-SLG-TBOX

4.9kW
Output

82.7%
Efficiency

Tinderbox on Log Box **mi**fires

fires and fireplaces



Small Log Box

137-SLG-TBOX

Medium Log Box

137-MLG-TBOX

Large Log Box

137-LLG-TBOX

Fuel	Wood
kW	4.9
Efficiency	82.7%

Fuel	Wood
kW	5
Efficiency	85.1%

Fuel	Wood
kW	5
Efficiency	80.4%

Flue size	125mm
Outlet	Top & rear
Outside air	Optional
Materials	Steel body, cast iron door

Flue size	125mm
Outlet	Top & rear
Outside air	Optional
Materials	Steel body, cast iron door

Flue size	125mm
Outlet	Top & rear
Outside air	Optional
Materials	Steel body, cast iron door

Weight	76kg
Height	845mm
Width	450mm
Depth	355mm

Weight	76kg
Height	925mm
Width	410mm
Depth	350mm

Weight	94kg
Height	980mm
Width	490mm
Depth	360mm

Distance to combustibles	
Back	300mm
Sides	400mm
Distance to non-combustibles	
Back	50mm
Sides	75mm
Hearth projection	
Front	400mm
Sides	150mm
Distance to furniture	
Front	1075mm
Suitable for 12mm hearth	
Yes	

Distance to combustibles	
Back	250mm
Sides	400mm
Distance to non-combustibles	
Back	50mm
Sides	75mm
Hearth projection	
Front	400mm
Sides	150mm
Distance to furniture	
Front	1075mm
Suitable for 12mm hearth	
Yes	

Distance to combustibles	
Back	250mm
Sides	400mm
Distance to non-combustibles	
Back	50mm
Sides	75mm
Hearth projection	
Front	400mm
Sides	150mm
Distance to furniture	
Front	1075mm
Suitable for 12mm hearth	
Yes	



Smoke Control Area Exempt



Easy Use Operation



Self-cleaning Window



Tertiary Air System



AIR OUTSIDE INCLUDED



Small

141-S-SOLWAY



Medium

141-M-SOLWAY



Large

141-L-SOLWAY

Fuel	Multi-fuel
kW	4.1
Efficiency	75.4%
Flue size	125mm
Outlet	Top & rear
Outside air	Included
Materials	Steel body, cast iron door
Weight	59kg
Height	487mm
Width	350mm
Depth	230mm

Fuel	Multi-fuel
kW	5
Efficiency	75.6%
Flue size	125mm
Outlet	Top & rear
Outside air	Included
Materials	Steel body, cast iron door
Weight	76kg
Height	487mm
Width	350mm
Depth	280mm

Fuel	Multi-fuel
kW	8
Efficiency	79.6%
Flue size	125mm
Outlet	Top & rear
Outside air	Included
Materials	Steel body, cast iron door
Weight	89kg
Height	530mm
Width	470mm
Depth	300mm

Distance to combustibles	
Back	500mm
Sides	600mm
Distance to non-combustibles	
Back	100mm
Sides	100mm
Hearth projection	
Front	500mm
Sides	200mm
Distance to furniture	
Front	500mm
Suitable for 12mm hearth	
	No

Distance to combustibles	
Back	500mm
Sides	600mm
Distance to non-combustibles	
Back	100mm
Sides	100mm
Hearth projection	
Front	500mm
Sides	200mm
Distance to furniture	
Front	500mm
Suitable for 12mm hearth	
	No

Distance to combustibles	
Back	750mm
Sides	500mm
Distance to non-combustibles	
Back	100mm
Sides	100mm
Hearth projection	
Front	800mm
Sides	200mm
Distance to furniture	
Front	800mm
Suitable for 12mm hearth	
	No

Multi-fuel stoves work by creating a controlled environment in which different types of fuel help burn more efficiently and by keeping waste gases within the stove for longer and at hotter temperatures.

Multi-fuel stoves can burn a variety of fuels - as their name suggests. The freedom to choose your fuel is convenient and they are as efficient as wood-burning stoves, delivering remarkable levels of energy efficiency ratings of over 80%.



Clean, contemporary styling makes the Solway stove the perfect complement for less traditional rooms.

The Solway family features an elegant curved cast iron door and an efficient air wash system to help keep the glass panel clear of unsightly deposits.

Responsive air controls, a riddling grate, and the included direct external air connection manifold, help make the Solway a simple to operate fire.



Large
141-L-SOLWAY
8kW | **79.6%**
Output | Efficiency

Small
141-S-SOLWAY
4.1kW | **75.4%**
Output | Efficiency



Medium **5kW** | **75.6%**
141-M-SOLWAY Output | Efficiency



The Ovale family of contemporary wood burning stoves offer the perfect solution when looking for a fire to be installed in a corner setting, as they require very low distances to combustible materials.

In addition the gently curved glass window, and powerful air wash system offer an uninterrupted view of the fire from many angles.

The Mullite firebricks help achieve a high combustion chamber temperature ensuring increased fuel efficiency and reduced particulate emissions.

Tall

144-OVALE-T

5kW

Output

82.9%

Efficiency



Pedestal

144-OVALE-P

5kW

Output

82.9%

Efficiency



Low with Door

144-OVALE-LD

5kW

Output

82.9%

Efficiency



Low

144-OVALE-L

5kW

Output

82.9%

Efficiency





Tall on Pedestal

144-OVALE-P



Tall

144-OVALE-T



Low with door

144-OVALE-LD



Low

144-OVALE-L

Fuel	Wood
kW	5
Efficiency	82.9%
Flue size	125mm
Outlet	Top & rear
Outside air	Included
Materials	Steel body and door
Weight	85kg
Height	1000mm
Width	472mm
Depth	362mm

Fuel	Wood
kW	5
Efficiency	82.9%
Flue size	125mm
Outlet	Top & rear
Outside air	Included
Materials	Steel body and door
Weight	85kg
Height	1000mm
Width	472mm
Depth	362mm

Fuel	Wood
kW	5
Efficiency	82.9%
Flue size	125mm
Outlet	Top & rear
Outside air	Included
Materials	Steel body and door
Weight	85kg
Height	920mm
Width	472mm
Depth	362mm

Fuel	Wood
kW	5
Efficiency	82.9%
Flue size	125mm
Outlet	Top & rear
Outside air	Included
Materials	Steel body and door
Weight	85kg
Height	920mm
Width	472mm
Depth	362mm

Distance to combustibles
Insulated flue / Non Insulated flue

Back 150/250mm

Sides 200/250mm

Corners 120/190mm

Distance to non-combustibles

Back 50mm

Sides 75mm

Hearth projection

Front 400mm

Sides 150mm

Distance to furniture

Front 1075mm

Suitable for 12mm hearth

Yes

Distance to combustibles
Insulated flue / Non Insulated flue

Back 150/250mm

Sides 200/250mm

Corners 120/190mm

Distance to non-combustibles

Back 50mm

Sides 75mm

Hearth projection

Front 400mm

Sides 150mm

Distance to furniture

Front 1075mm

Suitable for 12mm hearth

Yes

Distance to combustibles
Insulated flue / Non Insulated flue

Back 150/250mm

Sides 200/250mm

Corners 120/190mm

Distance to non-combustibles

Back 50mm

Sides 75mm

Hearth projection

Front 400mm

Sides 150mm

Distance to furniture

Front 1075mm

Suitable for 12mm hearth

Yes

Distance to combustibles
Insulated flue / Non Insulated flue

Back 150/250mm

Sides 200/250mm

Corners 120/190mm

Distance to non-combustibles

Back 50mm

Sides 75mm

Hearth projection

Front 400mm

Sides 150mm

Distance to furniture

Front 1075mm

Suitable for 12mm hearth

Yes



Smoke Control Area Exempt



Easy Use Operation



Self-cleaning Window



Tertiary Air System



INCLUDED



Rondo with Log Store

149-RO-LS

Rondo with Door

149-RO-D

Rondo on Pedestal

149-RO-P

Poppy

149-POPPY

Fuel	Wood
kW	4.9
Efficiency	77.7%
Flue size	125mm
Outlet	Top & rear
Outside air	Included
Materials	Steel body and door
Weight	80kg
Height	956mm
Width	487mm
Depth	495mm

Fuel	Wood
kW	4.9
Efficiency	77.7%
Flue size	125mm
Outlet	Top & rear
Outside air	Included
Materials	Steel body and door
Weight	82kg
Height	956mm
Width	487mm
Depth	495mm

Fuel	Wood
kW	4.9
Efficiency	77.7%
Flue size	125mm
Outlet	Top & rear
Outside air	Included
Materials	Steel body and door
Weight	91kg
Height	971mm
Width	487mm
Depth	495mm

Fuel	Wood
kW	4.8
Efficiency	77.3%
Flue size	125mm
Outlet	Top & rear
Outside air	Included
Materials	Steel body and door
Weight	75.3kg
Height	960mm
Width	430mm
Depth	471mm

Distance to combustibles

Back	50mm
Sides	250mm
Hearth projection	
Front	230mm
Sides	150mm
Distance to furniture	
Front	1200mm
Suitable for 12mm hearth	
Yes	

Distance to combustibles

Back	50mm
Sides	250mm
Hearth projection	
Front	230mm
Sides	150mm
Distance to furniture	
Front	1200mm
Suitable for 12mm hearth	
Yes	

Distance to combustibles

Back	50mm
Sides	250mm
Hearth projection	
Front	230mm
Sides	150mm
Distance to furniture	
Front	1200mm
Suitable for 12mm hearth	
Yes	

Distance to combustibles

Back	50mm
Sides	200mm
Corner	100mm
Hearth projection	
Front	230mm
Sides	150mm
Distance to furniture	
Front	1200mm
Suitable for 12mm hearth	
Yes	

Round, elegant and now slender - these are the characteristics of the four variants in the Rondo family. The large curved glass and the soft, harmonious lines lead your eyes straight into the beautiful fire.

All fires in the family are equipped with a direct air connection needing a 100mm flexible hose.

A recent addition to the range, with its reduced diameter, the Poppy is ideal for the smaller room setting.

Rondo with Door **4.9kW** | **77.7%**
149-RO-D Output Efficiency



Rondo on Pedestal

149-RO-P

4.9kW | **77.7%**
Output Efficiency

Rondo with Log Store

149-RO-LS

4.9kW
Output

77.7%
Efficiency



Poppy
149-POPPY

4.8kW
Output

77.3%
Efficiency





Tall

129-T-FPOD

5kW
Output

75.8%
Efficiency



Medium

129-M-FPOD

5kW
Output

78.8%
Efficiency



Logstore

129-L-FPOD

5kW
Output

78.8%
Efficiency



Pedestal

129-P-FPOD

5kW
Output

78.8%
Efficiency



Medium

129-M-FPOD

Logstore

129-L-FPOD

Pedestal

129-P-FPOD

Tall

129-T-FPOD

Fuel	Wood
kW	5
Efficiency	78.8%

Fuel	Wood
kW	5
Efficiency	78.8%

Fuel	Wood
kW	5
Efficiency	78.8%

Fuel	Wood
kW	5
Efficiency	75.8%

Flue size	125mm
Outlet	Top & rear
Outside air	Included
Materials	Cast iron

Flue size	125mm
Outlet	Top & rear
Outside air	Included
Materials	Cast iron

Flue size	125mm
Outlet	Top & rear
Outside air	Included
Materials	Cast iron

Flue size	125mm
Outlet	Top & rear
Outside air	Included
Materials	Cast iron

Weight	78.5kg
Height	637mm
Width	459mm
Depth	375mm

Weight	113kg
Height	747.5mm
Width	459mm
Depth	375mm

Weight	110kg
Height	728mm
Width	459mm
Depth	375mm

Weight	123kg
Height	858mm
Width	370mm
Depth	341mm

Distance to combustibles
Insulated flue / Non Insulated flue

Back 160/200mm

Sides 400/400mm

Corners 270/300mm

Distance to non-combustibles

Back 50mm

Sides 75mm

Hearth projection

Front 250mm

Sides 150mm

Distance to furniture

Front 1075mm

Suitable for 12mm hearth

Yes

Distance to combustibles
Insulated flue / Non Insulated flue

Back 160/200mm

Sides 400/400mm

Corners 270/300mm

Distance to non-combustibles

Back 50mm

Sides 75mm

Hearth projection

Front 250mm

Sides 150mm

Distance to furniture

Front 1075mm

Suitable for 12mm hearth

Yes

Distance to combustibles
Insulated flue / Non Insulated flue

Back 160/200mm

Sides 400/400mm

Corners 270/300mm

Distance to non-combustibles

Back 50mm

Sides 75mm

Hearth projection

Front 250mm

Sides 150mm

Distance to furniture

Front 1075mm

Suitable for 12mm hearth

Yes

Distance to combustibles
Non Insulated flue

Back 300mm

Sides 400mm

Corners 400mm

Distance to non-combustibles

Back 150mm

Sides 150mm

Corners 150mm

Hearth projection

Front 250mm

Sides 150mm

Distance to furniture

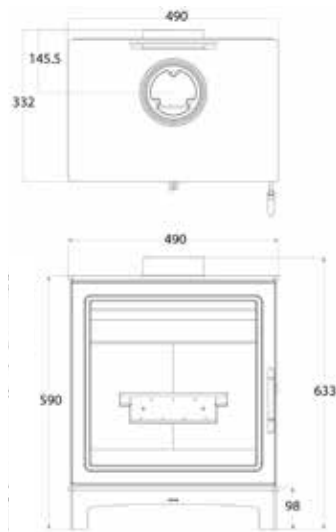
Front 1075mm

Suitable for 12mm hearth

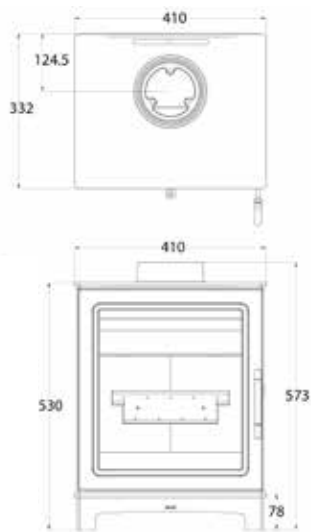
Yes

Stove Dimensions

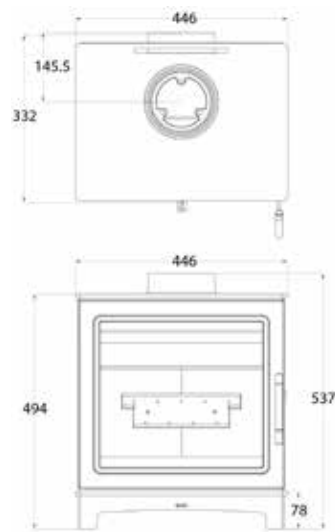
Grisedale



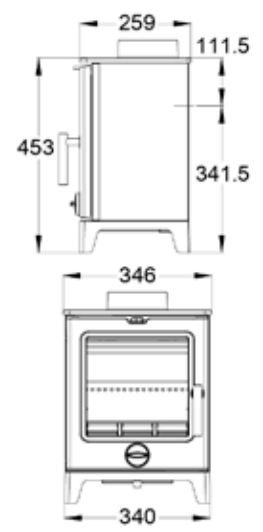
Skiddaw



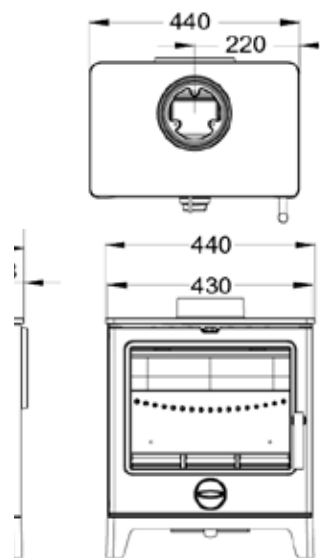
Loughrigg



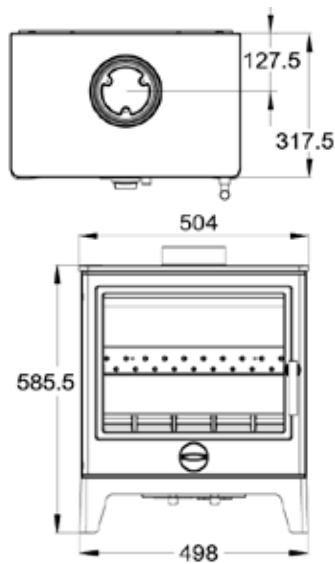
Derwent Small



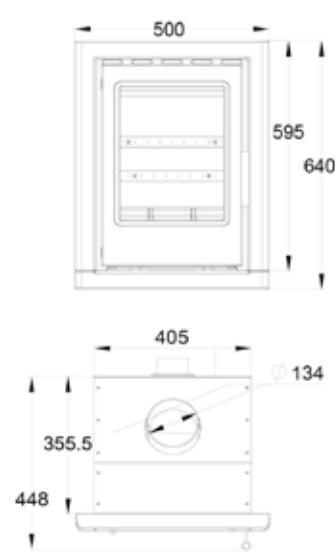
Derwent Medium



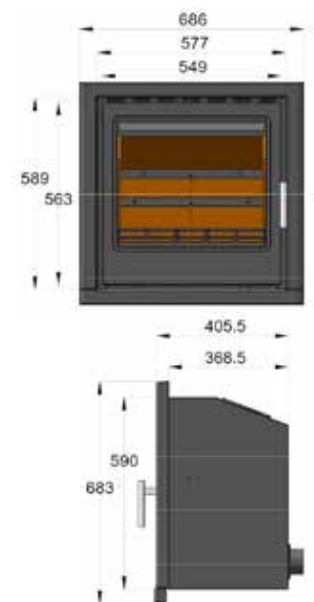
Derwent Large



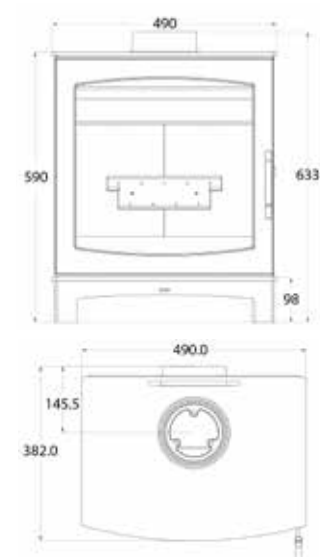
Coniston Inset



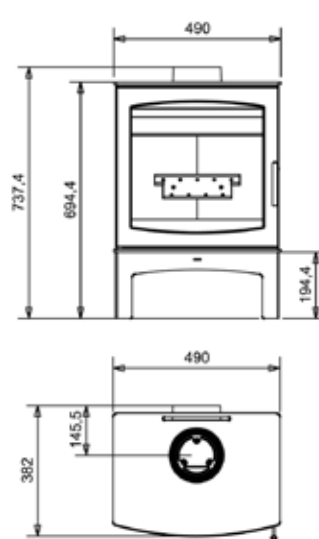
Coniston Inset Large



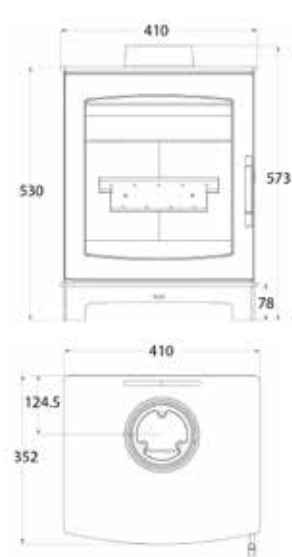
Large Tinderbox



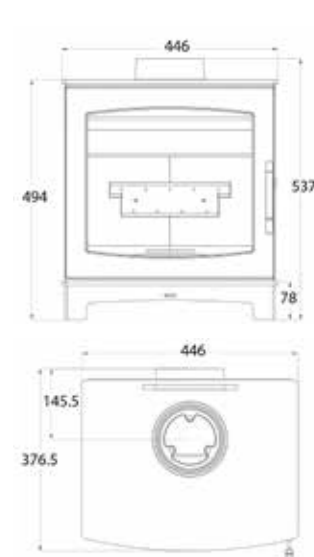
Tall Tinderbox



Medium Tinderbox

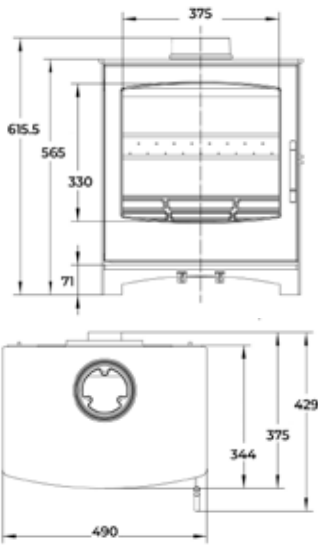


Small Tinderbox

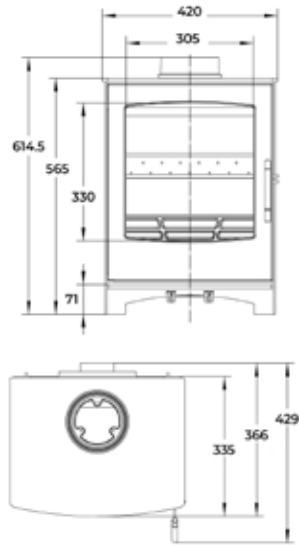


Stove Dimensions

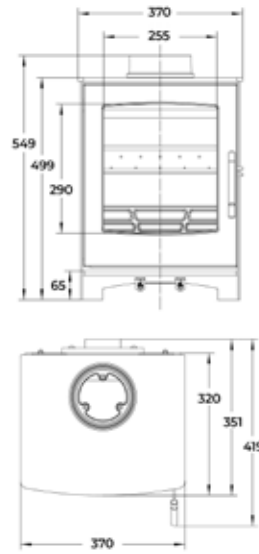
Large Tinderbox
Multi-fuel



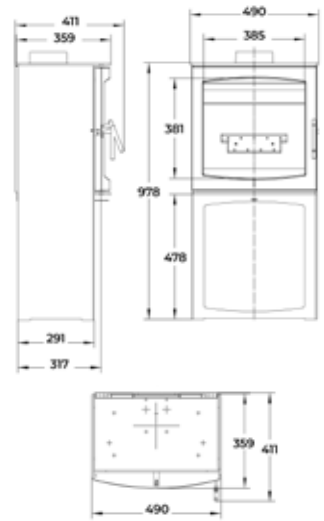
Medium Tinderbox
Multi-fuel



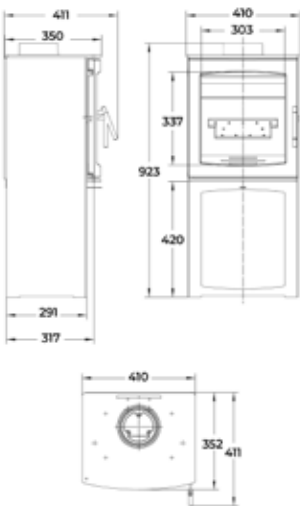
Small Tinderbox
Multi-fuel



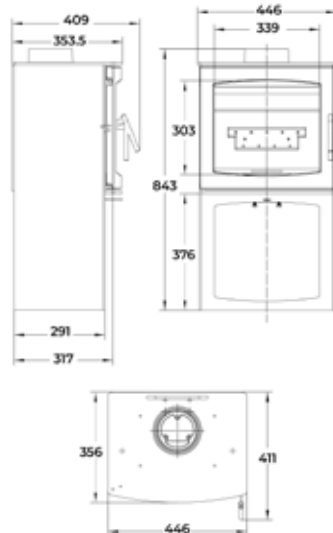
Large Tinderbox
on Log Box



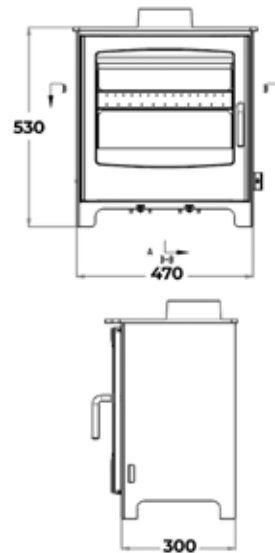
Medium Tinderbox
on Log Box



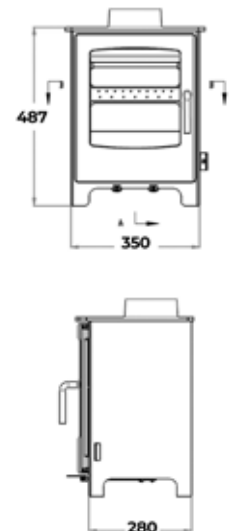
Small Tinderbox
on Log Box



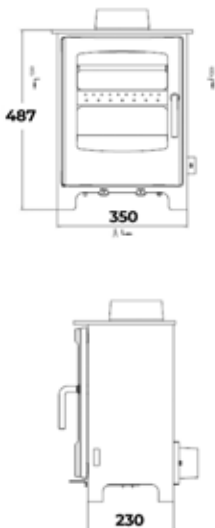
Large Solway
Multi-fuel



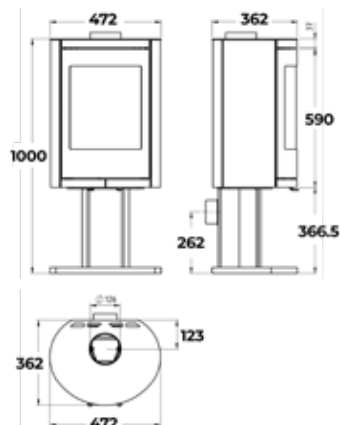
Medium Solway
Multi-fuel



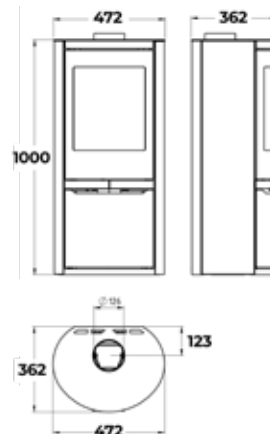
Small Solway
Multi-fuel



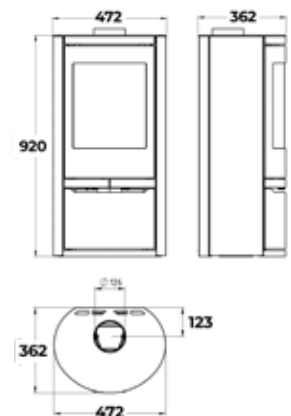
Ovale
Pedestal



Ovale
Tall

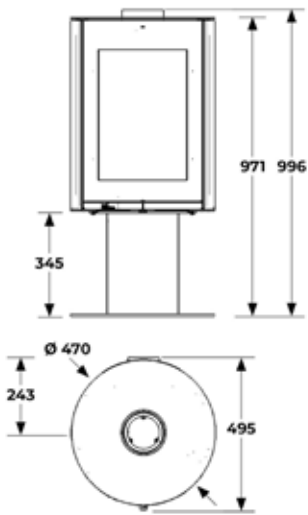


Ovale Low &
Ovale Low with Door

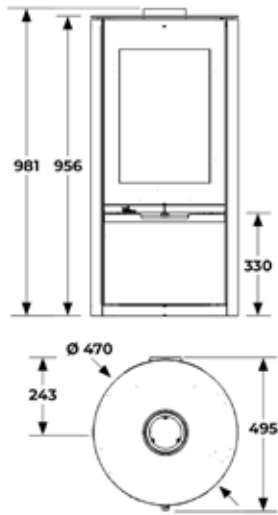


Stove Dimensions

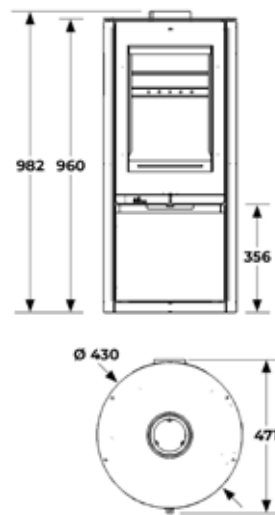
Rondo with Pedestal



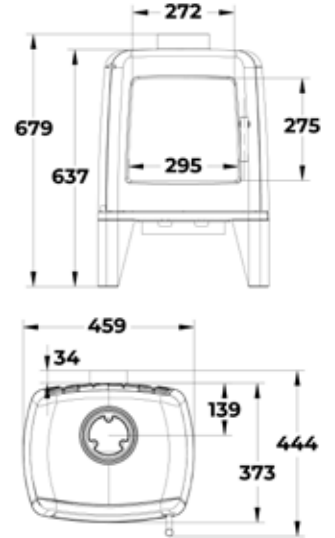
Rondo with Door & Rondo with Log Store



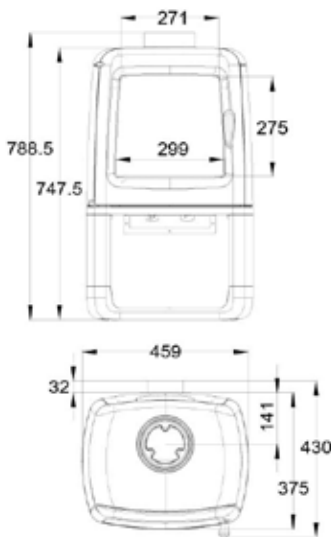
Poppy



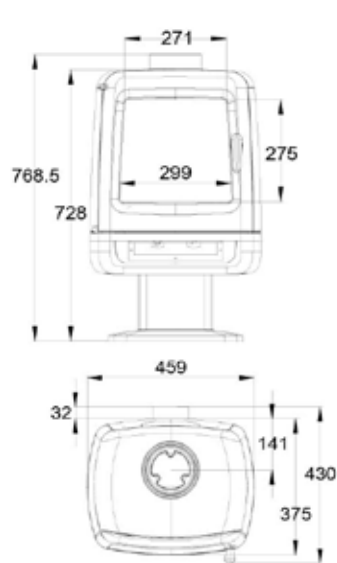
Firepod Medium



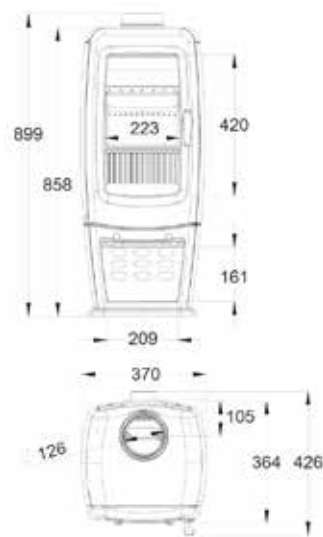
Firepod Logstore



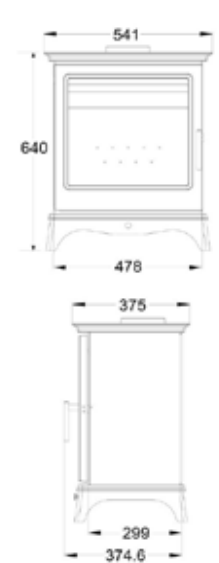
Firepod Pedestal



Firepod Pedestal



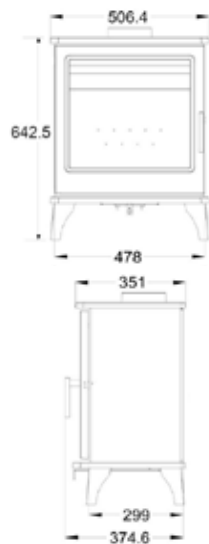
Chatsworth Large



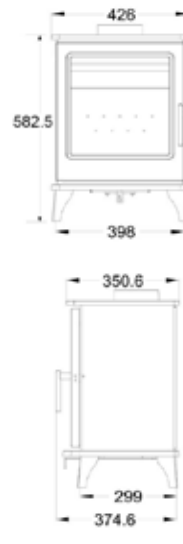
Chatsworth Medium



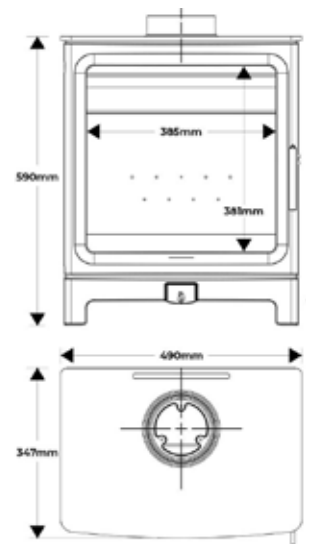
Large Washington



Medium Washington

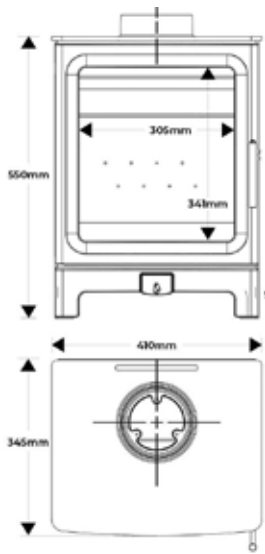


Large Firecracker

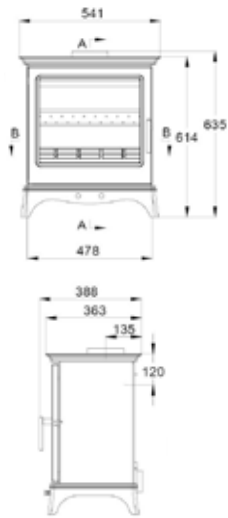


Stove Dimensions

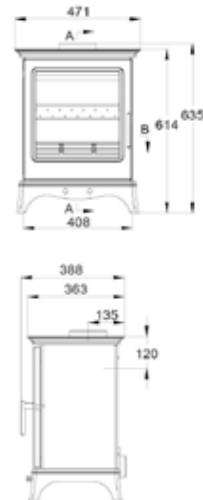
Medium Firecracker



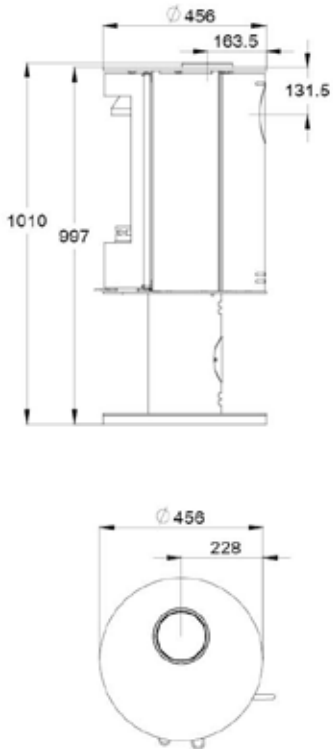
Chatsworth Multi-fuel Large



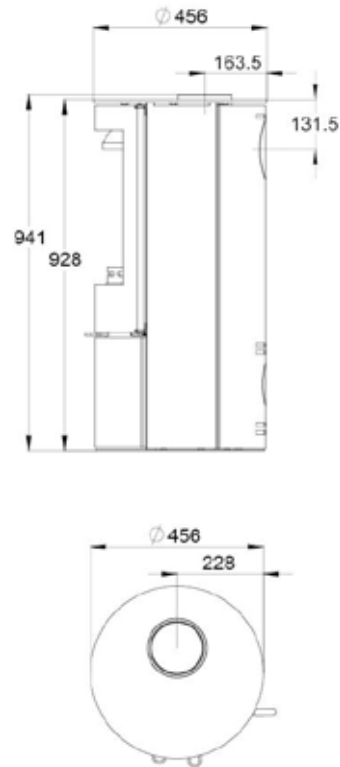
Chatsworth Multi-fuel Medium



FireBlossom Pedestal



FireBlossom





miFires

fires and fireplaces

UK DISTRIBUTOR

Mi-Flues Ltd
Taymin Business Park, Mitcham Road,
Blackpool, Lancashire
FY4 4QN

Tel: 01253 600 060

E-mail: sales@mi-flues.com

IRELAND DISTRIBUTOR

Ai-Flues Ltd
Units 1 & 2 Syngefield Industrial Estate
Birr, County Offaly
Eire

Tel: 057 912 1133

E-mail: sales@ai-flues.com