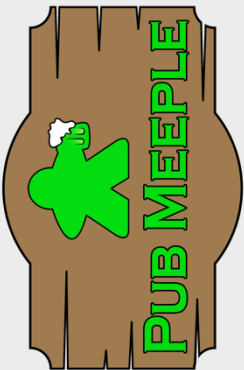


A game resource by



Game: **Lords of Vegas**

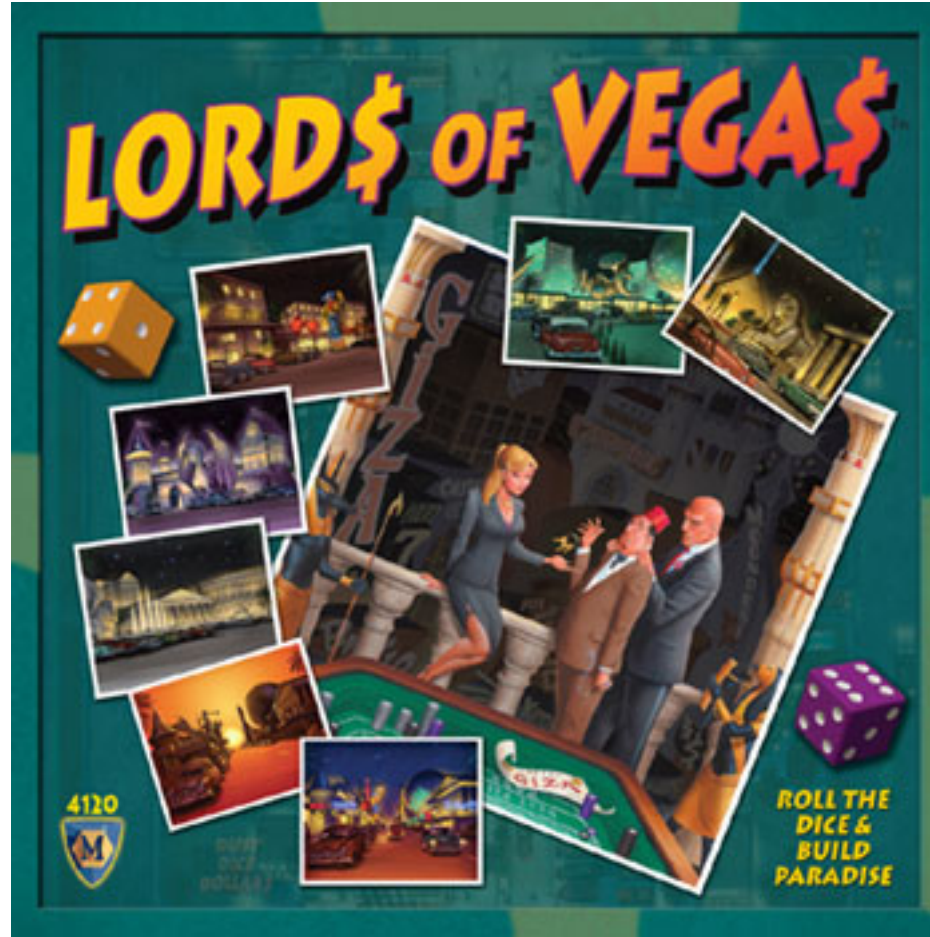
Publisher: **Mayfair Games (2010)**

File Version: **1.0**

Author: **Brian Casey**

You can find all of our other game resources, reviews, and articles at: www.pubmeeple.com

Pub Meeple resources are meant for personal use only. We do not benefit financially from these resources nor do we claim any rights to the material within. Artwork from the original game is copyrighted by the publisher and used without permission. This PDF may not be sold.



Foam Core Plans

Notes:

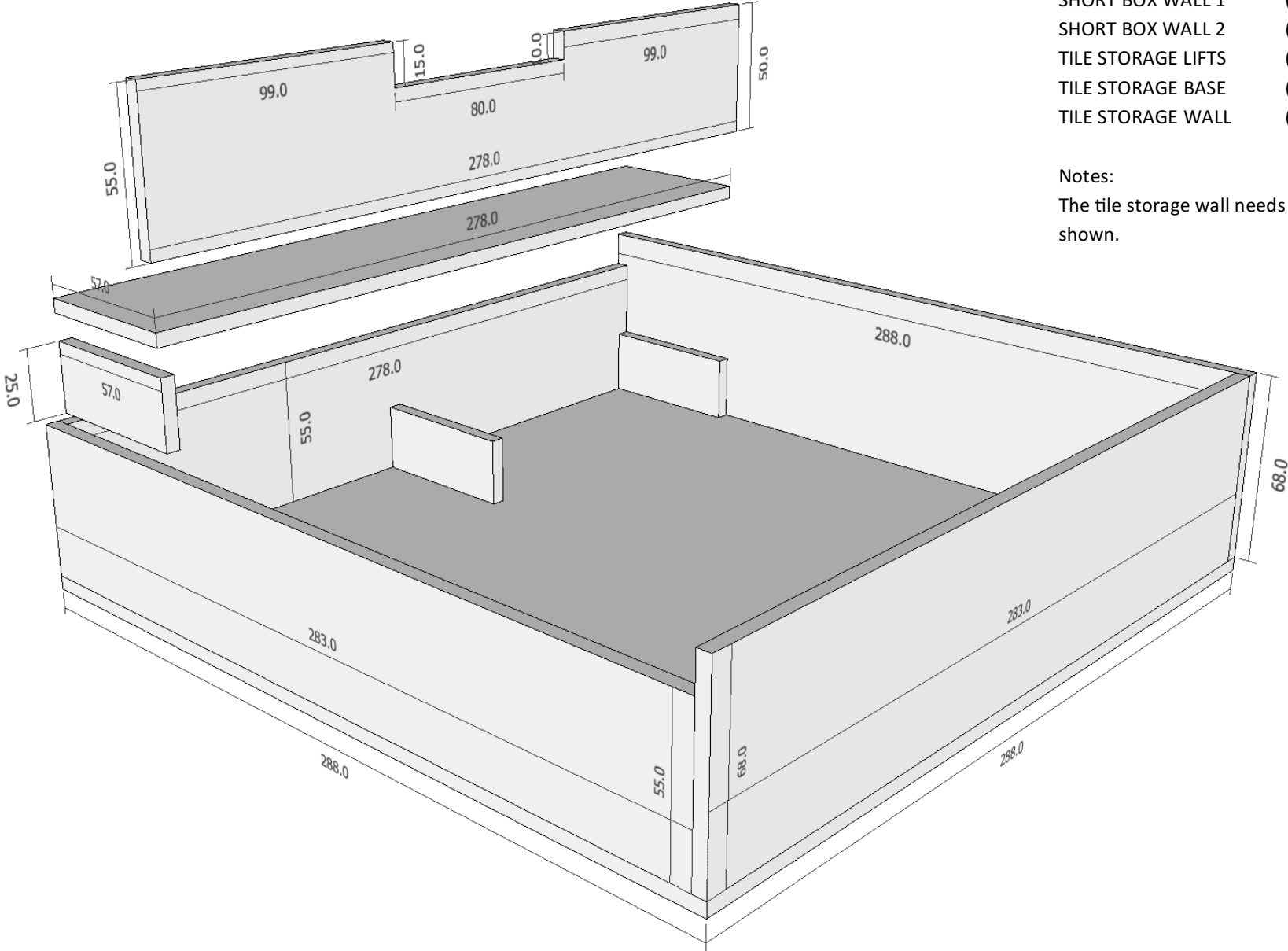
All foam core used is 5mm
All measurements are in millimeters



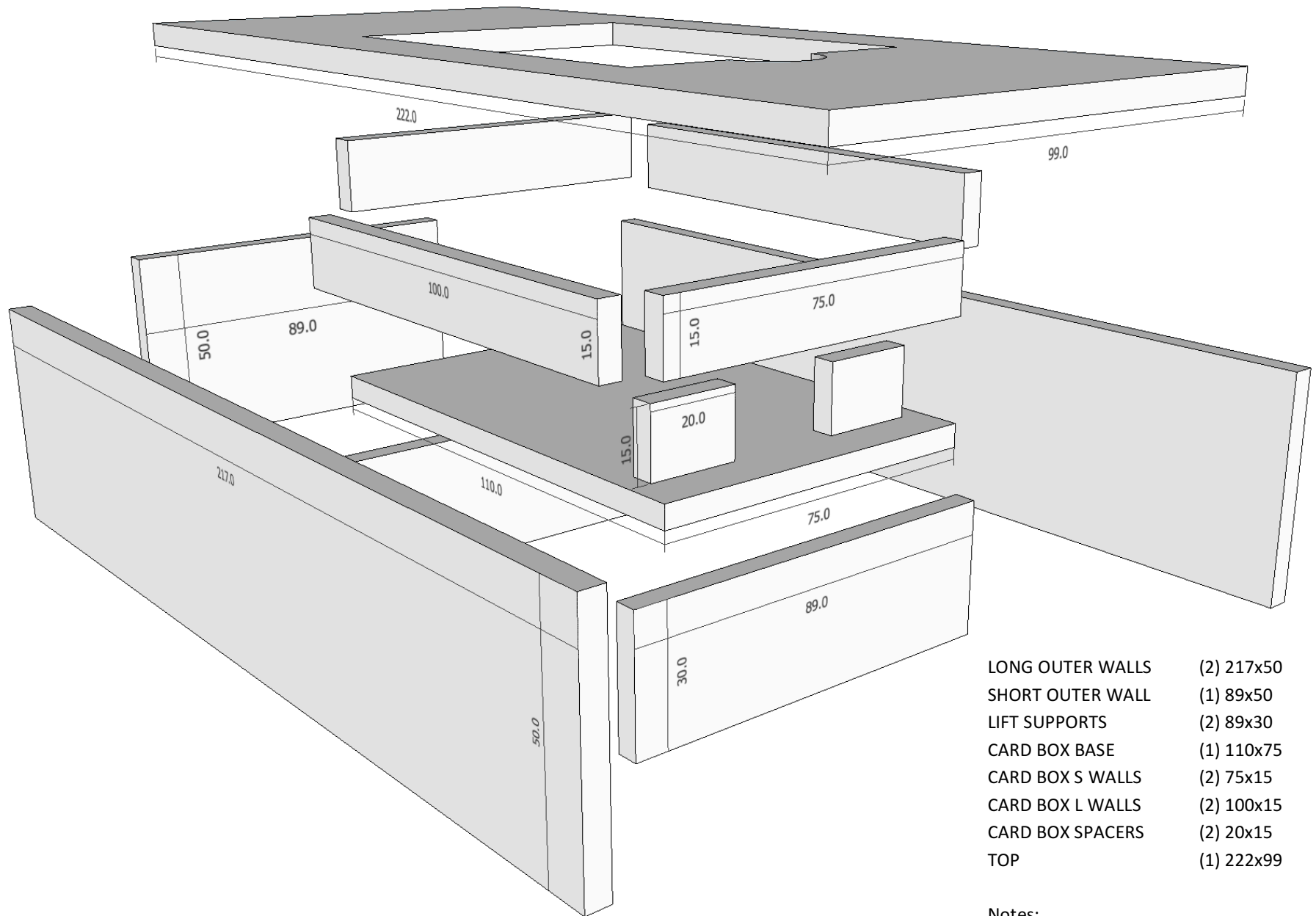
MAIN BOX & CASINO TILE STORAGE LIFT

- BOX BASE (1) 288x288
- TALL BOX WALL 1 (1) 283x68
- TALL BOX WALL 2 (1) 288x68
- SHORT BOX WALL 1 (1) 278x55
- SHORT BOX WALL 2 (1) 283x55
- TILE STORAGE LIFTS (3) 57x25
- TILE STORAGE BASE (1) 278x57
- TILE STORAGE WALL (1) 278x55

Notes:
The tile storage wall needs to be cut down as shown.



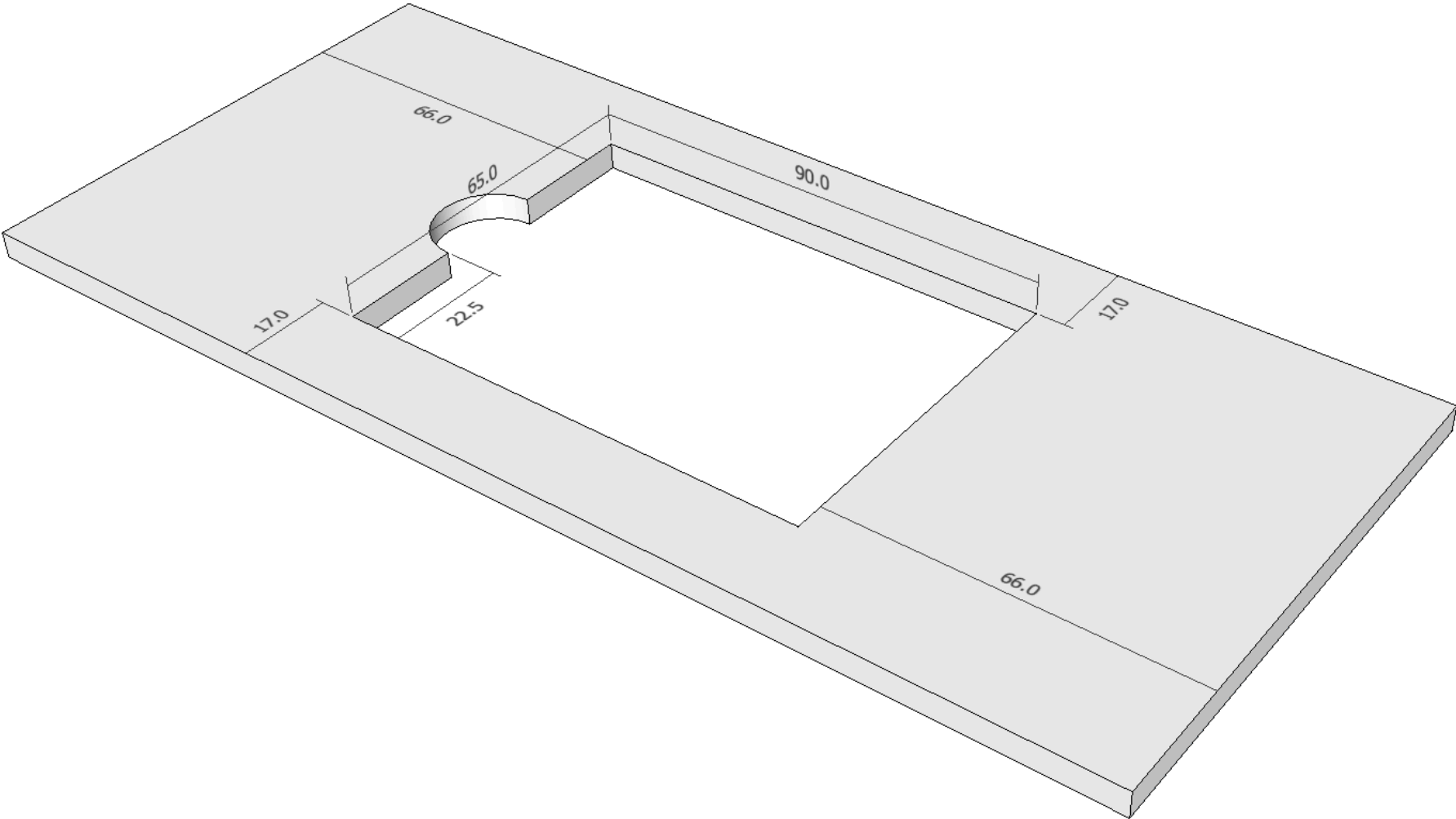
CARD LIFT & STORAGE



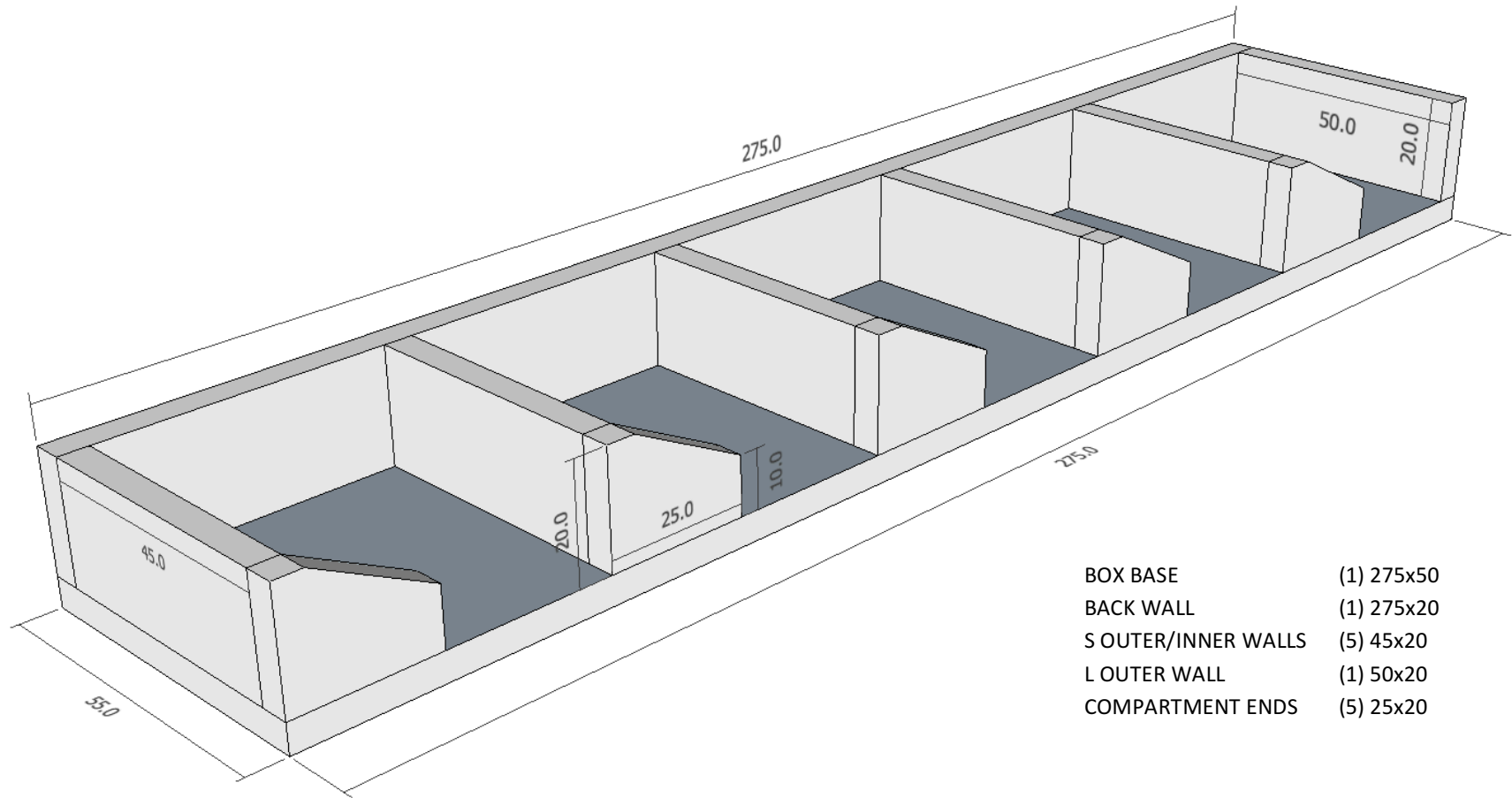
LONG OUTER WALLS	(2) 217x50
SHORT OUTER WALL	(1) 89x50
LIFT SUPPORTS	(2) 89x30
CARD BOX BASE	(1) 110x75
CARD BOX S WALLS	(2) 75x15
CARD BOX L WALLS	(2) 100x15
CARD BOX SPACERS	(2) 20x15
TOP	(1) 222x99

Notes:
See details on next page for cutout on top piece.

CARD LIFT & STORAGE - TOP



CASINO TILE STORAGE

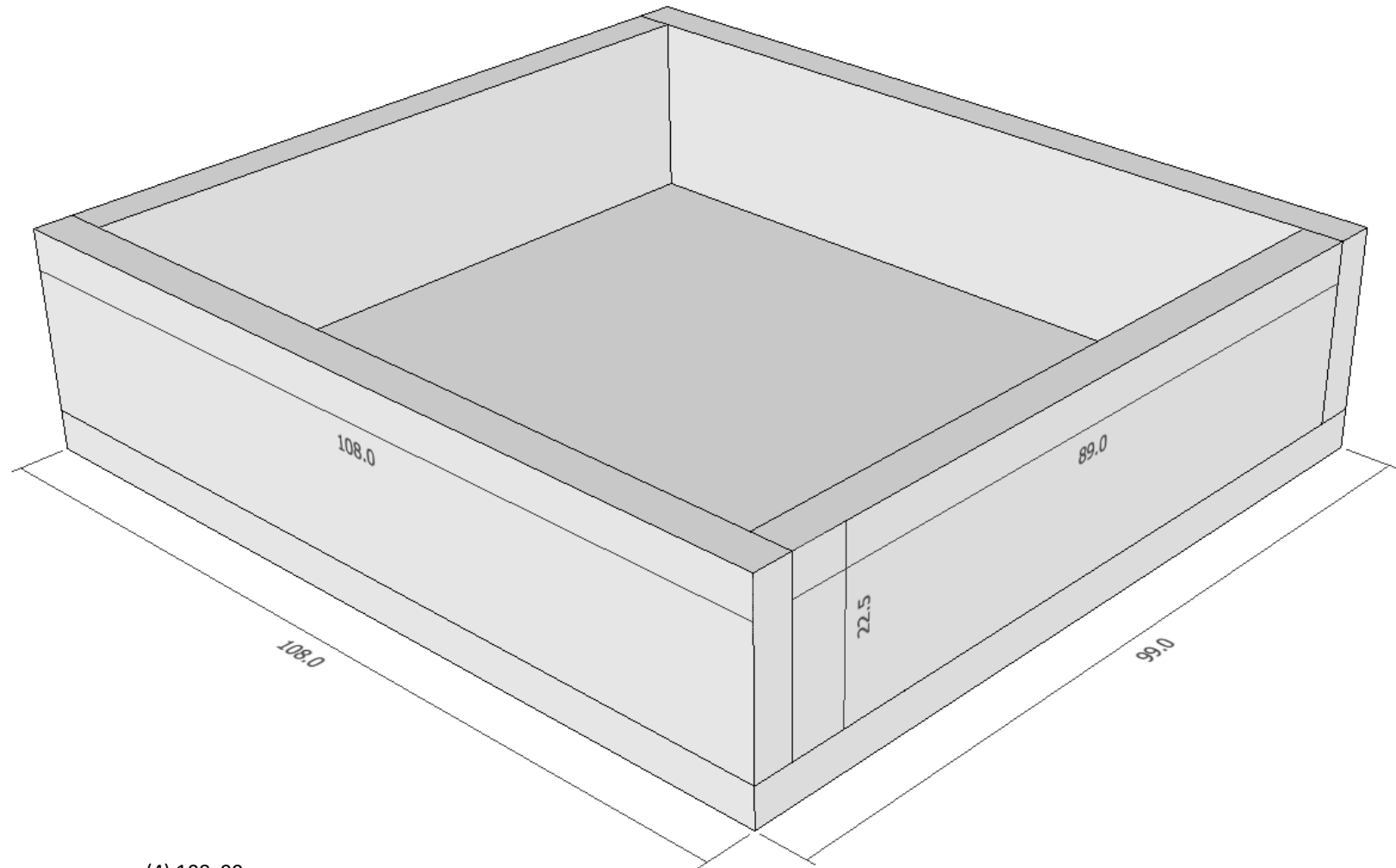


BOX BASE	(1) 275x50
BACK WALL	(1) 275x20
S OUTER/INNER WALLS	(5) 45x20
L OUTER WALL	(1) 50x20
COMPARTMENT ENDS	(5) 25x20

Notes:

Compartments are 49mm in width

PLAYER PIECES STORAGE



- BOX BASE (4) 108x99
- SHORT WALLS (8) 108x22.5
- LONG WALLS (8) 89x22.5

ASSEMBLED INSERT

