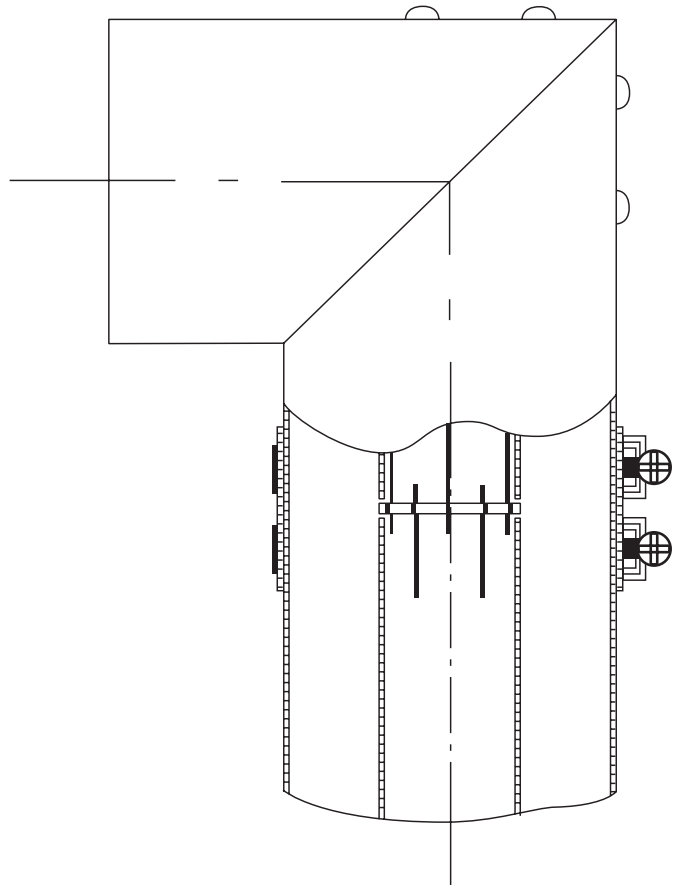


Mounting Description

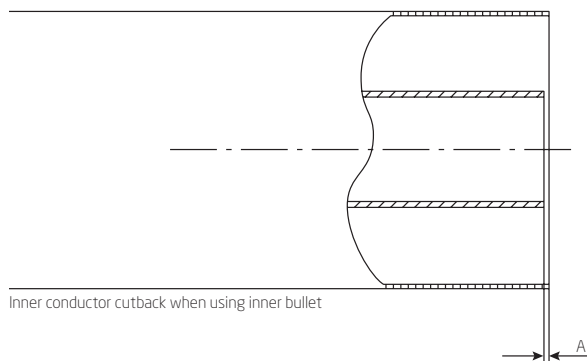
INDOOR FITTING

All indoor rigid lines are connected together using a coupling kit. The kit consists of an inner bullet, an outer sleeve and 2 or 4 tube clamps (depending on format). All rigid line components are built with the inner conductor 1.5mm shorter than the outer conductor (except RL230, 2 mm). If the rigid line exceeds a certain length, an inner support must be used. These lengths depend on the format of the rigid line. These relationships are shown in the table below.

FORMAT	MAXIMUM LENGTH WITHOUT INNER SUPPORT
7/8" unflange	1000 mm
1 5/8" unflange	1400 mm
3 1/8" unflange	2000 mm
RL98 unflange	2500 mm
4 1/2" unflange	2500 mm
NAX120 unflange	2500 mm
6 1/8" unflange	3000 mm
RL230 unflange	2515 mm

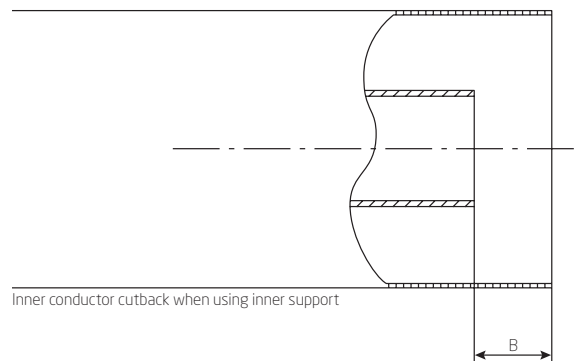


CUT-BACK DIMENSIONS FOR RIGID LINE A. WITH INNER BULLET



FORMAT	CUTBACK "A"
7/8" unflange	1.5 mm
1 5/8" unflange	1.5 mm
3 1/8" unflange	1.5 mm
RL98 unflange	1.5 mm
4 1/2" unflange	1.5 mm
NAX120 unflange	1.5 mm
6 1/8" unflange	1.5 mm
RL230 unflange	2.0 mm

B. WITH INNER SUPPORT



FORMAT	CUTBACK "B"
7/8" unflange	12.7 mm
1 5/8" unflange	15.0 mm
3 1/8" unflange	23.2 mm
RL98 unflange	17.0 mm
4 1/2" unflange	24.5 mm
NAX120 unflange	17.0 mm
6 1/8" unflange	32.0 mm
RL230 unflange	71.0 mm