

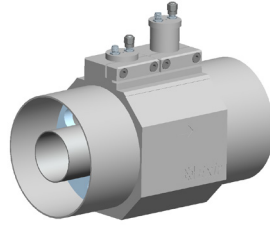
Directional Couplers



103 mm Compact Directional Coupler, SMA probe

PRODUCT FEATURES

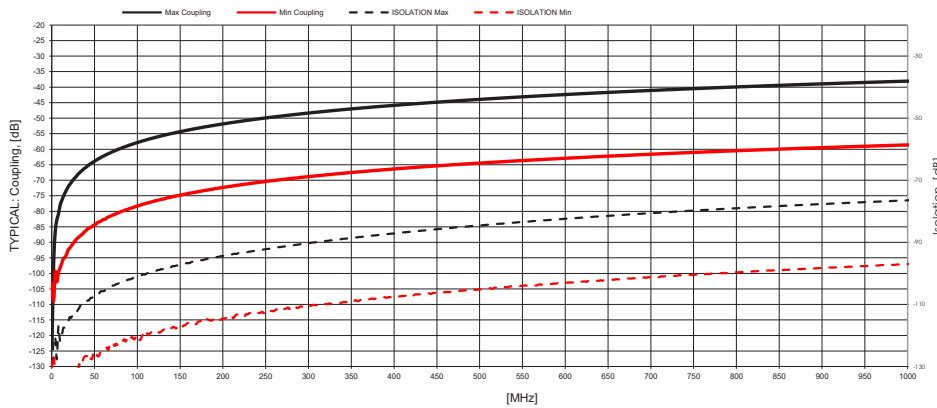
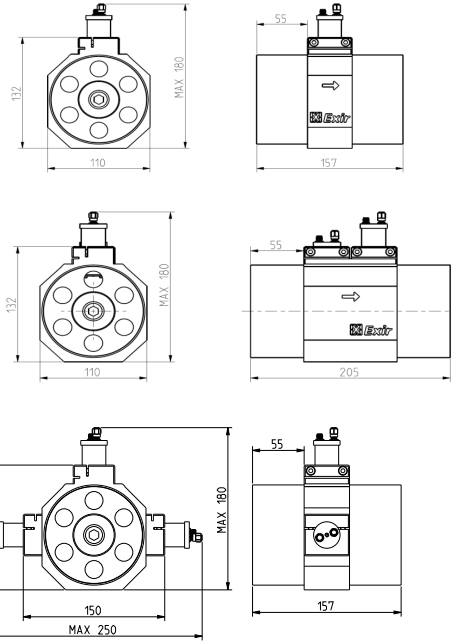
- Forward and reverse couplers
- Adjustable coupling
- Low VSWR
- Low cost



PRODUCT PROFILE

Directional couplers consist of a short loop inserted in the rigid line. Each end of the loop is then connected to a suitable contact, i.e. an SMA-type contact. Between the inner conductor and the loop there are two types of coupling - inductive and capacitive. The inductive coupling resembles a short coil with the voltage at each end 180 degrees apart. The capacitive coupling generates a phase voltage at both ends.

All our directional couplers deliver excellent directivity, stable performance and low VSWR.



| COMPACT DIRECTIONAL COUPLER | | |
|-----------------------------|----------------------|--------------------------------|
| SPECIFICATIONS | 103 mm Series | Option |
| DIRECTIVITY | 32-40 dB | - |
| COUPLING RANGE | See plot, nom ±0.1 | - |
| OUTPUT JACK | 2 x SMA female | 1 x SMA female, 3 x SMA female |
| IMPEDANCE | 50 Ohm | - |
| RETURN LOSS (VSWR) | >32 dB (<1.05) | - |
| FREQUENCY RANGE | 50 MHz - 1 GHz | 300 kHz - 1 GHz |
| MAX INPUT POWER RATING | RF connector size | - |
| MAX PRODUCT TEMPERATURE | 70 °C | - |
| ENVIRONMENTAL CONDITION | -5 to 70 °C IP40 | Other IP on request |
| CONNECTORS | 4 1/2" unflange | 4 1/2" flange |
| DIMENSIONS MAX (L x W x H) | 205 x 110 x 180 mm | - |
| (Inch) | (8.1 x 4.3 x 7.1 in) | - |
| WEIGHT | 3,5 kg (7.7 lb) | - |
| FRAME | Stand alone | - |
| COLOUR | Aluminium | - |

ARTICLE: MDIR-2103A-44-A

- MDIR** = Coupler type
2 = Number of probes
 1 = 1-probe, 2 = 2-probes, 3 = 3-probes
103 = Coaxial size
A = Version
4 = Input connector
4 = Output connection
 4 = 4 1/2" unflange female
A = Version