

Directional Couplers



120 mm Directional Coupler, SMA probe

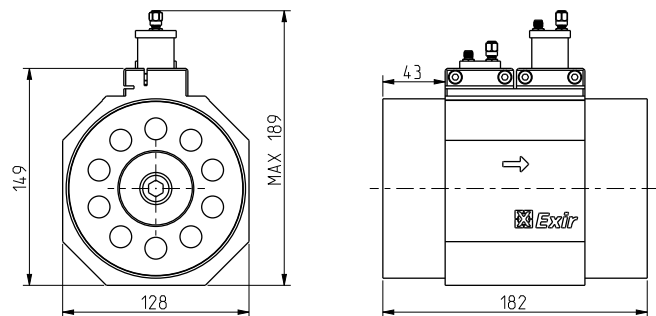
PRODUCT FEATURES

- Forward and reverse couplers
- Adjustable coupling
- Low VSWR
- Low cost

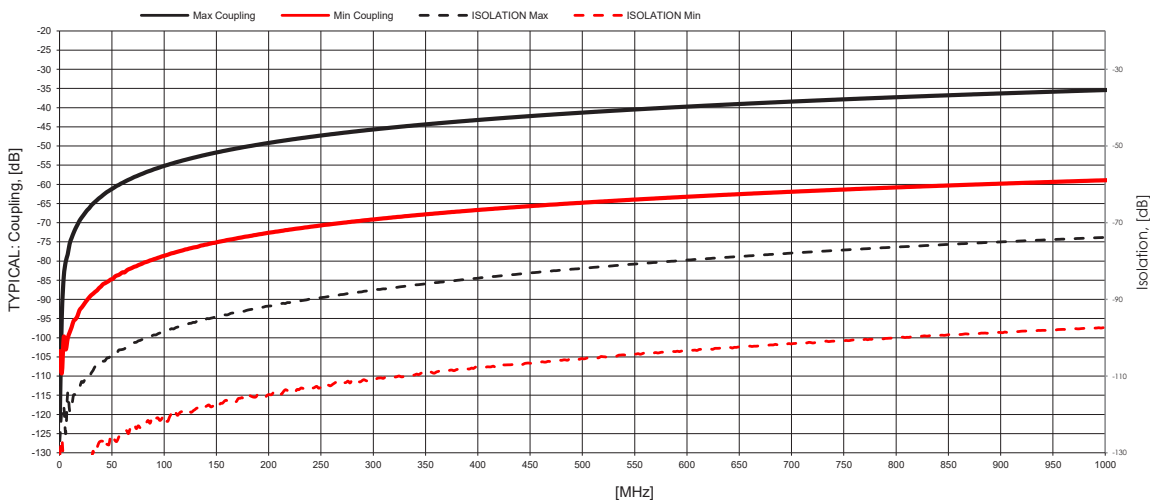


PRODUCT PROFILE

Directional couplers consist of a short loop inserted in the rigid line. Each end of the loop is then connected to a suitable contact, i.e. an SMA-type contact. Between the inner conductor and the loop there are two types of coupling - inductive and capacitive. The inductive coupling resembles a short coil with the voltage at each end 180 degrees apart. The capacitive coupling generates a phase voltage at both ends.



All our directional couplers deliver excellent directivity, stable performance and low VSWR.



COMPACT DIRECTIONAL COUPLER		
SPECIFICATIONS	120 mm Series	Option
DIRECTIVITY	32-40 dB	-
COUPLING RANGE	See plot, nom ±0.1	-
OUTPUT JACK	2 x SMA female	1 and 3 x SMA female
IMPEDANCE	50 Ohm	-
RETURN LOSS (VSWR)	>32 dB (<1.05)	-
FREQUENCY RANGE	50 MHz - 890 MHz	300 kHz - 890 MHz
MAX INPUT POWER RATING	RF connector size	-
MAX PRODUCT TEMPERATURE	70 °C	-
ENVIRONMENTAL CONDITION	-5 to 70 °C IP40	-
CONNECTORS	NAX 120 unflange	-
DIMENSIONS MAX (L x W x H)	182 x 128 x 189 mm	-
(Inch)	(7.2 x 5.0 x 7.4 in)	-
WEIGHT	3,5 kg (7.7 lb)	-
FRAME	Stand alone	-
COLOUR	Aluminium	-

ARTICLE: MDIR-2120-22-A

- MDIR** = Coupler type
2 = Number of probes
 1 = 1-probe, 2 = 2-probes, 3 = 3-probes
120 = Coaxial size
2 = Input connector
2 = Output connection
 2 = NAX 120 unflange female
A = Version