

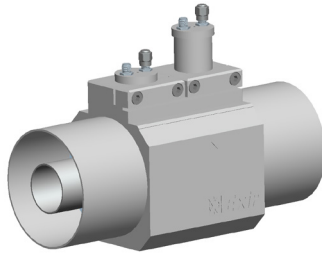
Directional Couplers



77 mm Compact Directional Coupler, SMA probe

PRODUCT FEATURES

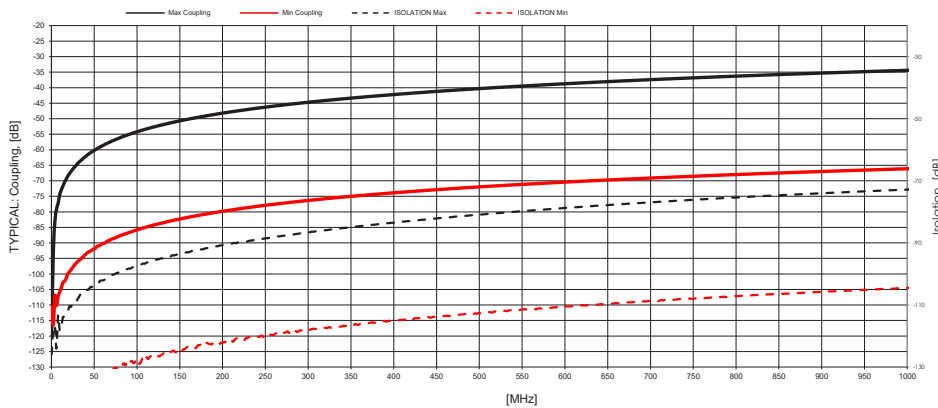
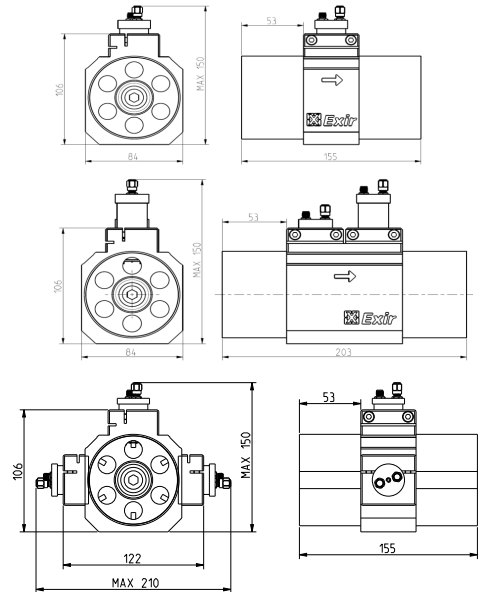
- Forward and reverse couplers
- Adjustable coupling
- Low VSWR
- Low cost



PRODUCT PROFILE

Directional couplers consist of a short loop inserted in the rigid line. Each end of the loop is then connected to a suitable contact, i.e. an SMA-type contact. Between the inner conductor and the loop there are two types of coupling - inductive and capacitive. The inductive coupling resembles a short coil with the voltage at each end 180 degrees apart. The capacitive coupling generates a phase voltage at both ends.

All our directional couplers deliver excellent directivity, stable performance and low VSWR.



COMPACT DIRECTIONAL COUPLER		
SPECIFICATIONS	77 mm Series	Option
DIRECTIVITY	32-40 dB	-
COUPLING RANGE	See plot, nom ±0.1	-
OUTPUT JACK	2 x SMA female	1 x SMA female, 3 x SMA female
IMPEDANCE	50 Ohm	-
RETURN LOSS (VSWR)	>32 dB (<1.05)	-
FREQUENCY RANGE	50 MHz - 1 GHz	300 kHz - 1.4 GHz
MAX INPUT POWER RATING	RF connector size	-
MAX PRODUCT TEMPERATURE	70 °C	-
ENVIRONMENTAL CONDITION	-5 to 70 °C IP40	Other IP on request
CONNECTORS	3 1/8" unflange	3 1/8" flange
DIMENSIONS MAX (L x W x H)	203 x 84 x 150 mm	-
(Inch)	(8.0 x 3.3 x 5.9 in)	-
WEIGHT	2,2 kg (4.8 lb)	-
FRAME	Stand alone	-
COLOUR	Aluminium	-

ARTICLE: MDIR-2077A-33-A

MDIR= Coupler type

2 = Number of probes

1 = 1-probe, 2 = 2-probes, 3 = 3-probes

077 = Coaxial size

A = Version

3 = Input connector

3 = Output connection

3 = 3 1/8" unflange female

A = Version