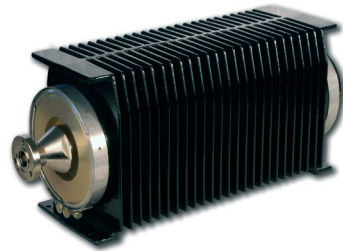


Power Load

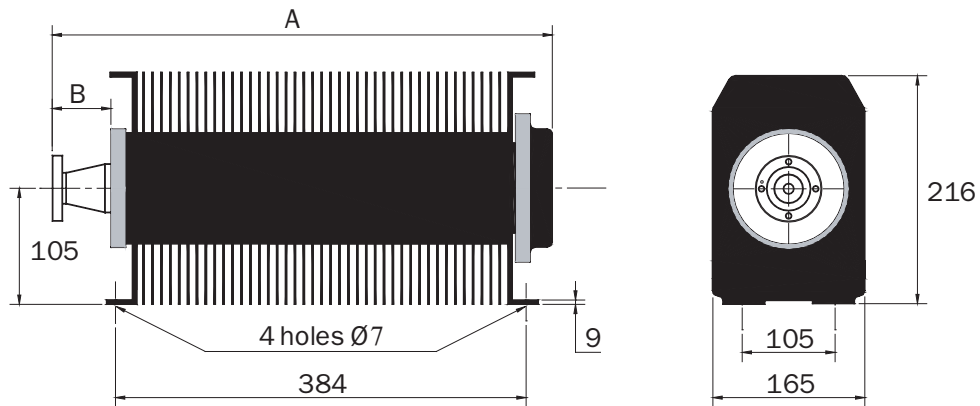
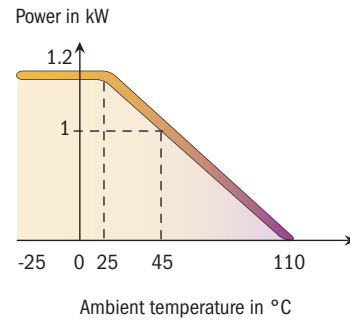
1,2 kW Oil cooled



Standards
NF C 96-315
MIL-DTL-39030



SPECIFICATIONS	1,2 kW Series
FREQUENCY	DC - 1 GHz (on request DC - 2,5 GHz)
IMPEDANCE	50 Ohm \pm 5%
Max VSWR	\leq 1.10 at 1 GHz
Average power @ 25° C	1,2 kW rms
Temperature range	-25 to +110 °C
Cooling	Oil + natural air convection
Weight	16 kg



Dimensions in mm

Versions and options					
Article	006-1215	006-1210	006-1155	Dimension A	Dimension B
Connections	7/16 female	7/8" flange	1 5/8" flange	449 mm	22 mm
				482 mm	55 mm
				504 mm	77 mm
Options					
VSWR \leq 1.05 from 470 to 860 MHz for DVB applications					
Thermoswitch					