

# Power Load

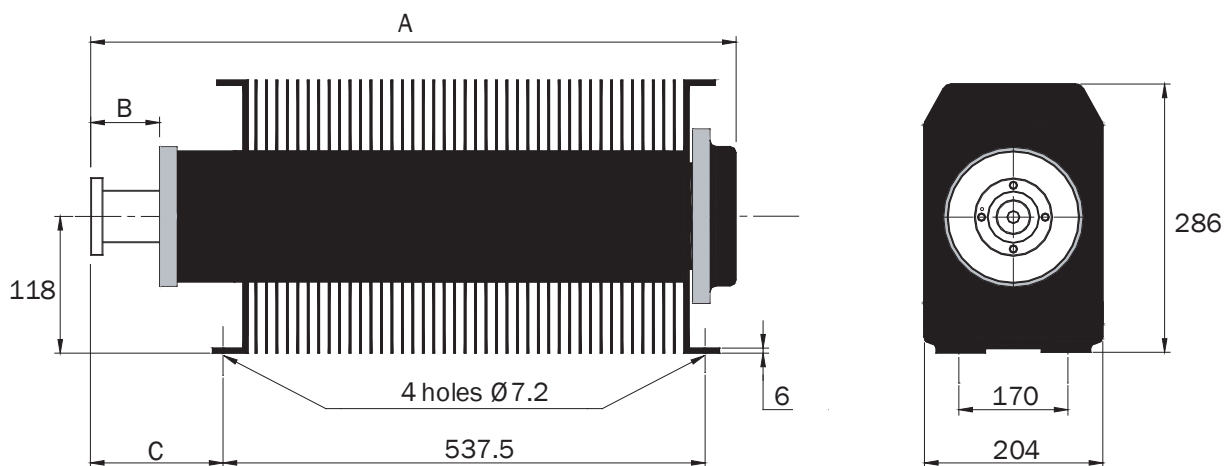
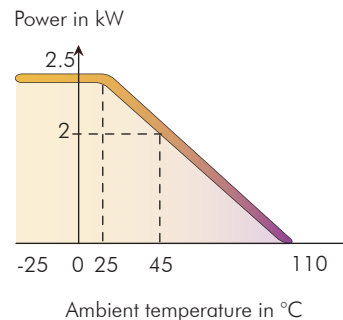
## 2,5 kW Oil cooled



Standards  
NF C 96-315  
MIL-DTL-39030



SPECIFICATIONS	2,5 kW Series
FREQUENCY	DC - 1 GHz (on request DC - 2,5 GHz)
IMPEDANCE	50 Ohm $\pm$ 5%
Max VSWR	$\leq$ 1.10 at 1 GHz
Average power @ 45° C	2,5 kW rms
Temperature range	-25 to +110 °C
Cooling	Oil + natural air convection
Weight	32 kg



Dimensions in mm

Versions and options					
Article	006-1165	006-1170	Dimension A	Dimension B	Dimension C
Connections	7/8" flange	1 5/8" flange	687,5 mm	53,5 mm	105,0 mm
			711,0 mm	77,0 mm	128,5 mm

#### Options

- VSWR  $\leq$  1.02 from 87 to 108 MHz for FM applications
- VSWR  $\leq$  1.05 from 170 to 230 MHz for BIII applications
- VSWR  $\leq$  1.05 from 470 to 860 MHz for DVB applications
- Thermoswitch