

Power Load

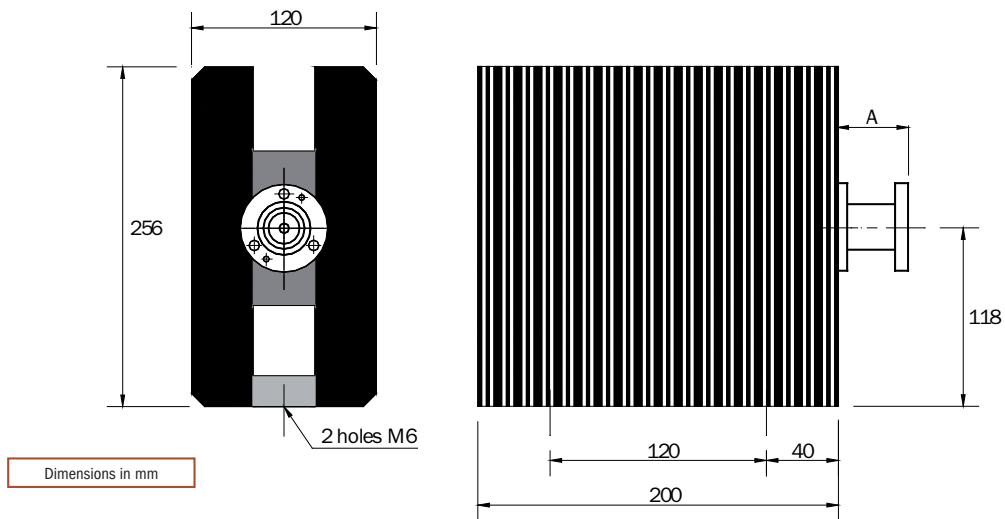
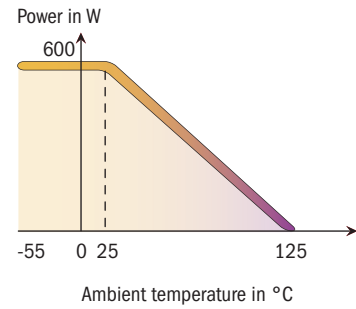
600 W



Standards
NF C 96-315
MIL-DTL-39030



SPECIFICATIONS	600 W Series
FREQUENCY	DC - 1 GHz (on request DC - 2,5 GHz)
IMPEDANCE	50 Ohm \pm 5%
Max VSWR	\leq 1.10 at 1 GHz
Average power @ 45° C	600 W rms
Peak power	40 kW
Temperature range	-55 to +125 °C
Cooling	Natural air convection
Weight	8,2 kg



Versions and options

Article	006-1140	Dimension A
Connections	7/16 female	22 mm

Options

- N or 7/8" flange connection
- VSWR \leq 1.05 from 470 to 860 MHz for DVB applications
- Thermoswitch