

Power Load

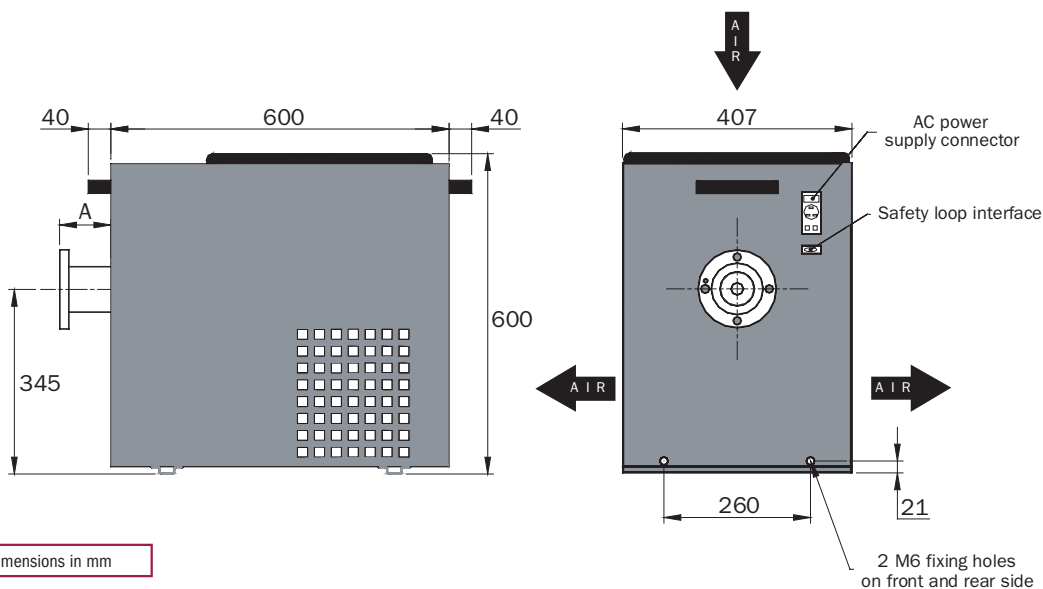
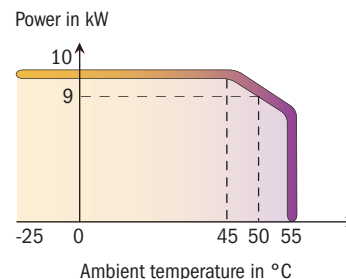
10 kW Oil & forced air cooled



Standards
NF C 96-315
MIL-DTL-39030



SPECIFICATIONS	10 kW Series
FREQUENCY	DC - 1 GHz (on request DC - 2,5 GHz)
IMPEDANCE	50 Ohm ± 5%
Max VSWR	≤ 1.10 at 1 GHz
Average power @ 45° C	10 kW rms
Temperature range	-25 to +55 °C
Cooling	Oil + forced air
Safety loop	Thermal + oil circulation
Main power safety	Lated fuses: Fan 2 A, Pump 0,8 A
Standard AC power supply	220 V - 50-60 Hz
Weight	47 kg



Dimensions in mm

Versions and options				
Article	006-1200	006-1201	006-1220	006-1221
Connections	1 5/8" flange	1 5/8" flange	3 1/8" flange	3 1/8" flange
Dimension A	70 mm	70 mm	90 mm	90 mm
Fans on/off depending on RF	- No	Included	-	Included

Options

- 115 V - 50/60 Hz AC power supply
- VSWR ≤ 1.05 from 470 to 860 MHz for DVB applications
- Swivel castors