

Power Load

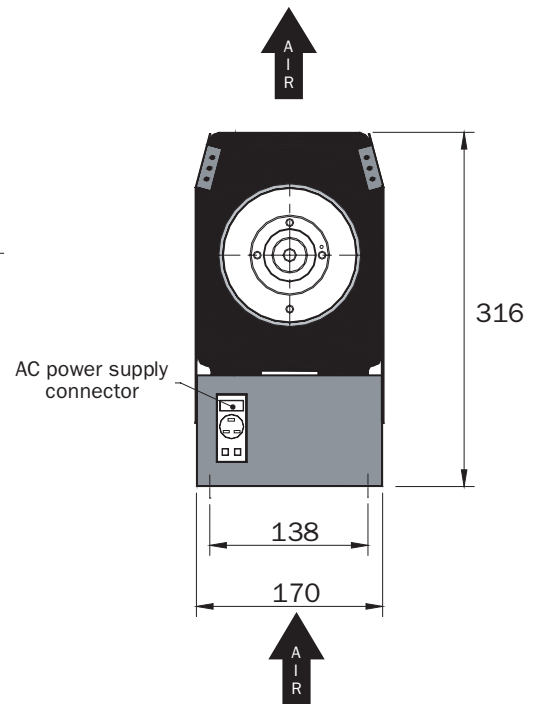
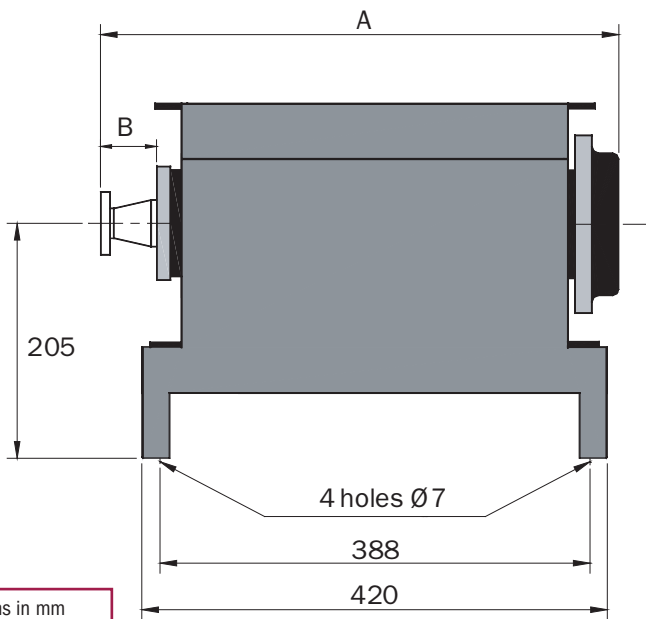
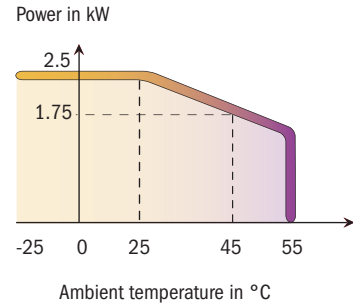
2,5 kW Oil & forced air cooled



Standards
NF C 96-315
MIL-DTL-39030



SPECIFICATIONS	2,5 kW Series
FREQUENCY	DC - 1 GHz (on request DC - 2,5 GHz)
IMPEDANCE	50 Ohm \pm 5%
Max VSWR	\leq 1.10 at 1 GHz
Average power @ 25° C	2,5 kW rms
Temperature range	-25 to +55 °C
Cooling	Oil + forced air
Safety loop	Thermal + AC power supply
Weight	21 kg



Versions and options			
Article	006-1180	Dimension A	Dimension B
Connections	1 5/8" flange	504,0 mm	80,0 mm
Options			
VSWR \leq 1.05 from 470 to 860 MHz for DVB applications			