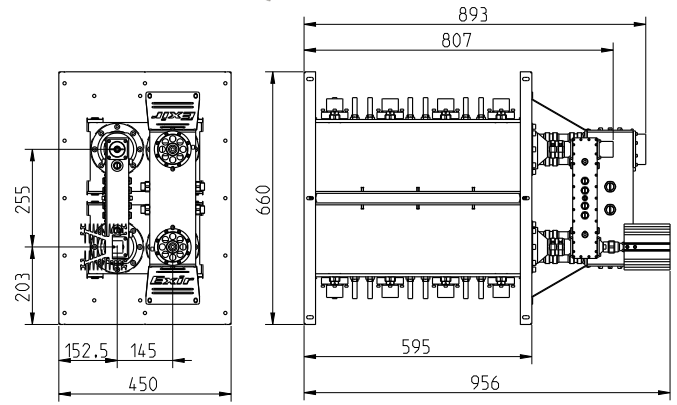


UHF Constant Impedance Combiner

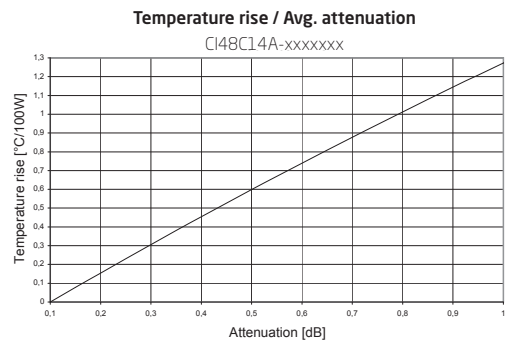
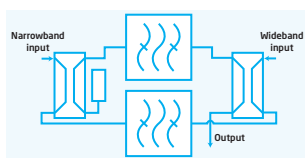
4.6 kW rms, 8 Pole, Compact



SPECIFICATIONS	140 mm Compact Series
FREQUENCY	470 - 862 MHz
BANDWIDTH	6 - 8 MHz
STANDARD ORDER	8 Poles single cross coupling
OPTIONAL ORDER	8 Poles with or without double cross coupling
APPLICATION	Adjacent Ch combining
ATV	Spurious supress
DVB	Critical mask
ATSC	Stringent mask
ISDB	Critical mask
IMPEDANCE	50 Ohm
NB RETURN LOSS (VSWR)	>26 dB (<1.11)
WB RETURN LOSS (VSWR)	>26 dB (<1.11), UHF band >30 dB (<1.07), 2 specified channels
MAX OUTPUT POWER RATING**	5 kW rms 1 5/8" (coupler type G) 15 kW rms 3 1/8" (coupler type J)
NB INPUT CONNECTOR	1 5/8" unflange
WB STANDARD INPUT CONNECTOR	3 1/8" unflange (coupler type J)
WB OPTIONAL INPUT CONNECTORS	1 5/8" unflange (coupler type G)
STANDARD OUTPUT CONNECTOR	3 1/8" unflange (coupler type J)
OPTIONAL OUTPUT CONNECTORS	1 5/8" unflange (coupler type G)
TEMPERATURE STABILITY	< 2 kHz / °C
MAX PRODUCT TEMPERATURE	70 °C
ENVIROMENTAL CONDITION	-5 to 70 °C IP40



DIMENSIONS AND WEIGHT	
DIMENSIONS	956 x 450 x 660 mm
L x W x H	(37.6 x 17.7 x 26.0 in)
WEIGHT	110 kg (242.5 lb)
STANDARD FRAME	Stand alone / 19"
COLOUR	Black and aluminium



Article structure:
ARTICLE: CI48C14A-1PGJ133
C = Combiner Type
4 = Frequency band
8 = Number of poles
C = Cavity based
14 = Cavity size
A = Version
1 = Number of cross coupling
 0 = without, 1 = single, 2 = double
P = Coating
 0 = without, P = painted, N = painted & silver plated
G = Narrowband coupler
 G = 54mm
J = Wideband coupler
 G = 54mm, J = 110mm
1 = Narrowband connection
 1 = 1 5/8" unflange, 7 = 7/8" unflange
3 = Wideband connection
 1 = 1 5/8" unflange, 3 = 3 1/8" unflange
3 = Output connection
 1 = 1 5/8" unflange, 3 = 3 1/8" unflange

TYPICAL DATA*	8 MHz DVB-T/2	6 MHz ISDB-T	6 MHz ATSC
ARTICLE NO	CI48C14A-1Pxxxx	CI48C14A-1Pxxxx	CI48C14A-1Pxxxx
NB INSERTION LOSS			
Avg. signal bandwidth	<0.70 dB	<0.86 dB	<0.69 dB
Centre frequency	<0.55 dB	<0.71 dB	<0.63 dB
Signal band edge	± 3.88 MHz <1.9 dB (3,8 MHz 1,5 dB) ± 4.2 MHz >15 dB ± 6.0 MHz >26 dB ± 12.0 MHz >51 dB	± 2.79 MHz <1.77 dB ± 3.15 MHz >15 dB ± 4.5 MHz >31 dB ± 9.0 MHz >61 dB	± 2.69 MHz <0.87 dB ± 3.5 MHz >1.60 dB ± 6.0 MHz >29 dB ± 9.0 MHz >63 dB
WB INSERTION LOSS			
	± 24 MHz <0.10 dB ± 16 MHz <0.10 dB ± 8.0 MHz <0.20 dB	± 18 MHz <0.10 dB ± 12 MHz <0.10 dB ± 6 MHz <0.20 dB	± 18 MHz <0.10 dB ± 12 MHz <0.10 dB ± 6 MHz <0.20 dB
ISOLATION			
NARROWBAND - WIDEBAND	>36 dB	>36 dB	>36 dB
WIDEBAND - NARROWBAND @	± 4.2 MHz >36 dB ± 8.0 MHz >80 dB ± 16 MHz >115 dB ± 24 MHz >135 dB	± 3.21 MHz >36 dB ± 6 MHz >80 dB ± 12 MHz >115 dB ± 18 MHz >135 dB	± 3.31 MHz >36 dB ± 6 MHz >75 dB ± 12 MHz >110 dB ± 18 MHz >130 dB
NB GROUP DELAY VARIATION	<600 ns (450 ns)	<470 ns	<105 ns
NB MAX INPUT POWER RATING**	4.6 kW / 13 dB (crest factor)	3.6 kW / 13 dB (crest factor)	4.6 kW / 11 dB (crest factor)
TEMPERATURE RISE	<0.9 °C / 100 W	<1.1 °C / 100 W	<0.9 °C / 100 W
MASK COMPLIANT	Critical mask	Critical mask	Stringent mask

* Data in table is typical data at 665 MHz. To fulfil mask transmitter shoulder level must be >36 dB. The combiner can be tuned for other specifications or bandwidth. Please contact us for a designed specification.
 ** Max power rating at <50 °C temprice at max frequency. Data are subjected to change without prior notice.