

VHF Bandpass filter

1.2 kW rms, 6 Pole

BAND III

10 year GUARANTEE

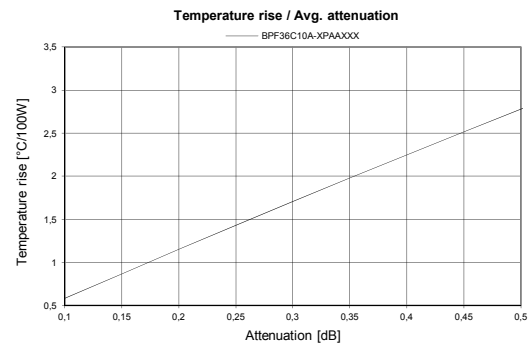
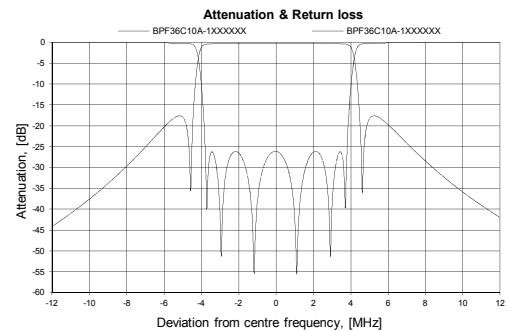
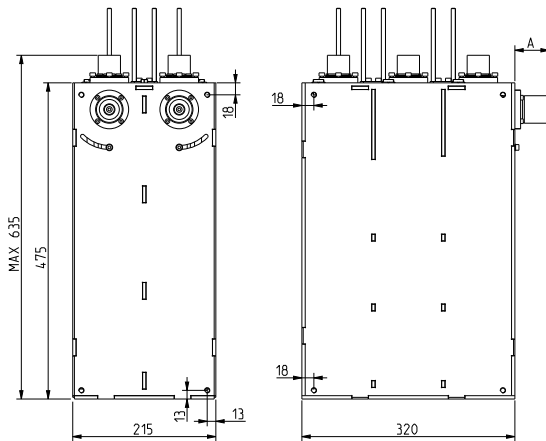
PRODUCT FEATURES

- Compact design
- Retunable
- Low insertion loss
- Temperature compensated
- 10-year comprehensive warranty

SPECIFICATIONS	100 mm Series	Option
FREQUENCY	174 - 240 MHz	-
BANDWIDTH	7 - 8 MHz	6 MHz at request
STANDARD ORDER	6 poles, Single cross coupling	Without cross coupling
DVB	Non Critical Mask	-
ATSC 6MHz	-	-
ISDB 6MHz	-	-
IMPEDANCE	50 Ohm	-
RETURN LOSS (VSWR)	>26 dB (<1.1)	-
TEMPERATURE STABILITY	< 2 kHz / °C	-
MAX PRODUCT TEMPERATURE	70 °C	-
ENVIROMENTAL CONDITION	-5 to 70 °C IP40	-
CONNECTIONS	1 5/8" unflange	N-m/f, 7/16-m/f, 7/8" flange / unflange

DIMENSIONS AND WEIGHT

DIMENSIONS	372 x 215 x max 635 mm (14.7 x 8.5 x max 25 in)
WEIGHT	20 kg (44 lb)
STANDARD FRAME	Stand alone
OPTIONAL FRAME	19" subrack
COLOUR	Frosted black



TYPICAL DATA*	8 MHz DVB-T	7 MHz DVB-T	-
ARTICLE NO	BPF36C10A-1PHH	BPF36C10A-1PHH	
INSERTION LOSS			
Avg. signal bandwidth	<0.22 dB	<0.24 dB	
Centre frequency	<0.20 dB	<0.20 dB	
Signal band edge	± 3.8 MHz <0.50 dB ± 4.2 MHz >4.00 dB ± 6.0 MHz >16.0 dB ± 12.0 MHz >41.0 dB	± 3.33 MHz <0.55 dB ± 3.70 MHz >4.00 dB ± 5.25 MHz >16.0 dB ± 10.5 MHz >41.0 dB	
GROUP DELAY	<300 ns	<300 ns	
MAX INPUT POWER RATING**	1.2 kW / 13 dB (crest factor)	1.2 kW / 13 dB (crest factor)	
TEMPERATURE RISE	<1.3 °C / 100 W	<1.4 °C / 100 W	
MASK COMPLIANT	Non Critical Mask	Non Critical Mask	

* Data in table is typical data at 205 MHz. To fulfil mask transmitter shoulder level must be >36 dB.
The filter can be tuned for other specification or bandwidth, please contact us for a designed specification.
** Max input power at <50 °C temprice at max frequency