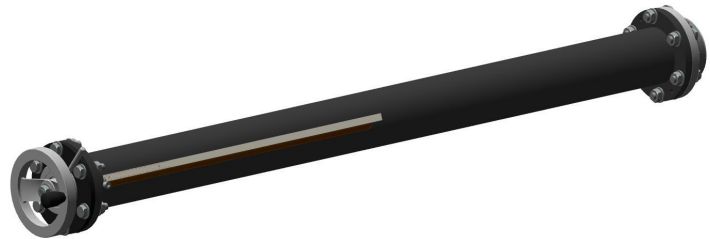


# Coaxial Tunable Short Tuner

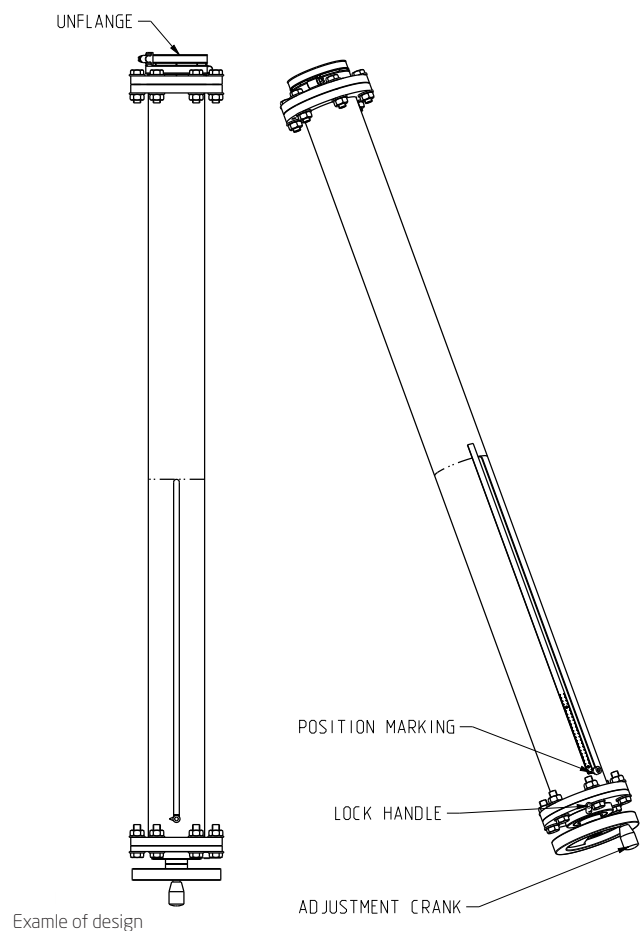


## PRODUCT FEATURES

- High resolution per revolution (mm per revolution)
- Manual adjustment, possible to adapt to step motor
- Double contact spring in all contact points
- Silver plated contact surfaces
- Stable and lockable construction
- Scale for adjustment

## PRODUCT PROFILE

Exir Broadcasting supplies standard and customized science products with the highest performance for safe operation. This tunable Short is the result of collaboration with different science facilities and their demands, Adaption to your needs is always possible. More detailed information is available on request.



## ARTICLE STRUCTURE: 412R-TSHRT-A

- 412 = Rigid Line size
- R = Type of connection  
F= flange, R= unflange
- TSHRT = Tunable short type
- A = Version

TUNABLE COAXIAL SHORT TUNERS				
ARTICLE	318x-TSHRT-A	412x-TSHRT-A	618x-TSHRT-A	OPTIONS
FREQUENCY RANGE	As per rigid line 3 1/8"	As per rigid line 4 1/2"	As per rigid line 6 1/8"	
PHASE VARIATION	0-180° >162.5MHz	0-180° >162.5MHz	0-180° >162.5MHz	Other frequency and phase difference on request
MAX INPUT POWER RATING	As per our power rating diagram 3 1/8"	As per our power rating diagram 4 1/2"	As per our power rating diagram 6 1/8"	
MAX INPUT VOLTAGE RATING	As per our voltage rating 3 1/8"	As per our voltage rating 4 1/2"	As per our voltage rating 6 1/8"	
IMPEDANCE	50 Ohm (Coaxial)	50 Ohm (Coaxial)	50 Ohm (Coaxial)	
STANDARD CONNECTION	3 1/8" male unflange	4 1/2" male unflange	6 1/8" male unflange	Other dimensions on request, All possible combinations with adaptor
OPERATING TEMPERATURE RANGE	-10° to 70°C	-10° to 70°C	-10° to 70°C	
IP Class	IP04	IP04	IP04	
DIMENSIONS MAX (L x D)	1200mm X 130Ø	1200mm X 160Ø	1200mm X 206Ø	