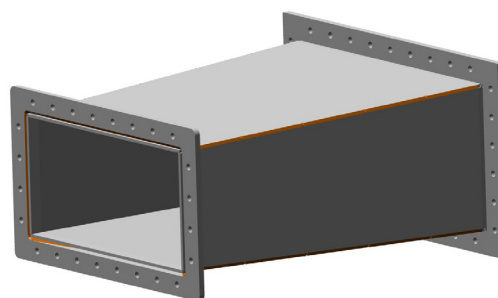


Waveguide to Waveguide Adaptor



PRODUCT FEATURES

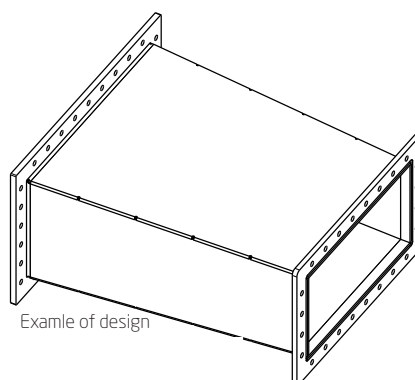
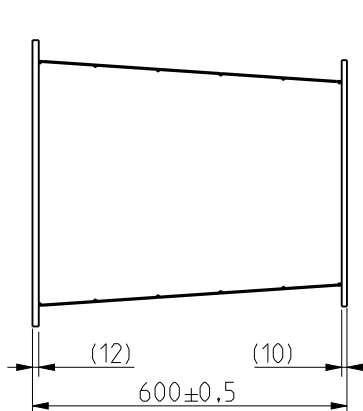
- High quality low-loss aluminium alloy
- Customised length
- Standards, RS-271-A, RS-261, IEC 60154-2, IEC 60153-1, 2, MIL-DTL-85K, MIL-DTL-3922D

PRODUCT PROFILE

Exir Broadcasting supplies Waveguide lines of different types. Low-loss aluminium alloys are used to ensure high conductivity.

Exir Broadcastings waveguides fulfill all general standards. It's welded in a four-corner welding process with no welding in direction of propagation which yield excellent performance and minimise loss.

More detailed information is available on request.



ARTICLE STRUCTURE: WR1800-WR1500-A

- WR = Rigid type
- 1800 = Size of first line
- WR = Rigid type
- 1500 = Size of second line
- A = Version

ARTICLE	WR2300-WR2100-A	WR2100-WR1800-A	WR1800-WR1500-A	WR1500-WR1150-A	
TYPE OF LINE	WR2300 - WR2100	WR2100 - WR1800	WR1800 - WR1500	WR1500 - WR1150	OPTIONS
FREQUENCY	350 - 490 MHz	410 - 530 MHz	490 - 620 MHz	640 - 750 MHz	
RETURN LOSS (VSWR)	>32 dB (<1.05)	>32 dB (<1.05)	>32 dB (<1.05)	>32 dB (<1.05)	
MAX POWER RATING	Limited by the specification of smallest WR connection				
WAVEGUIDE CONNECTION, LARGE SIDE	WR2300	WR2100	WR1800	WR1500	Other on request
WAVEGUIDE CONNECTION, SMALL SIDE	WR2100	WR1800	WR1500	WR1150	Other on request
LENGTH	900 mm	750 mm	600 mm	500 mm	Other on request
WEIGHT	18 kg	15 kg	12 kg	10 kg	
MATERIAL	6082	6082	6082	6082	Other on request
COLOUR	Frosted black	Frosted black	Frosted black	Frosted black	Other on request