

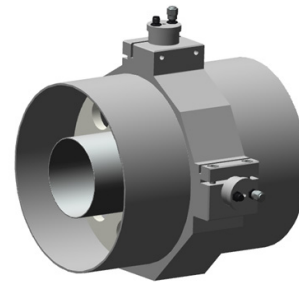
Directional Couplers



6 1/8" (152 mm) Directional Coupler, SMA probe

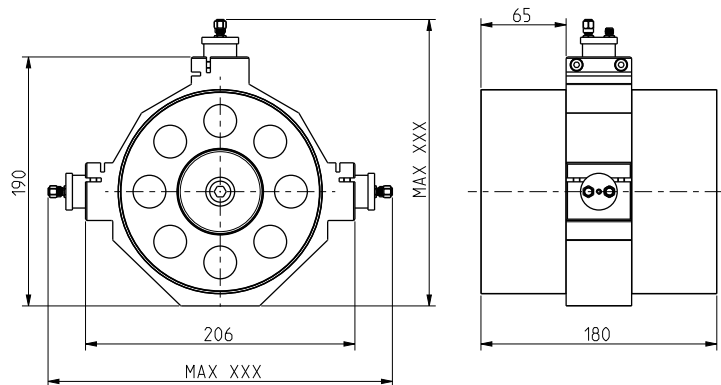
PRODUCT FEATURES

- Forward and reverse couplers
- Adjustable coupling
- Low VSWR
- Low cost

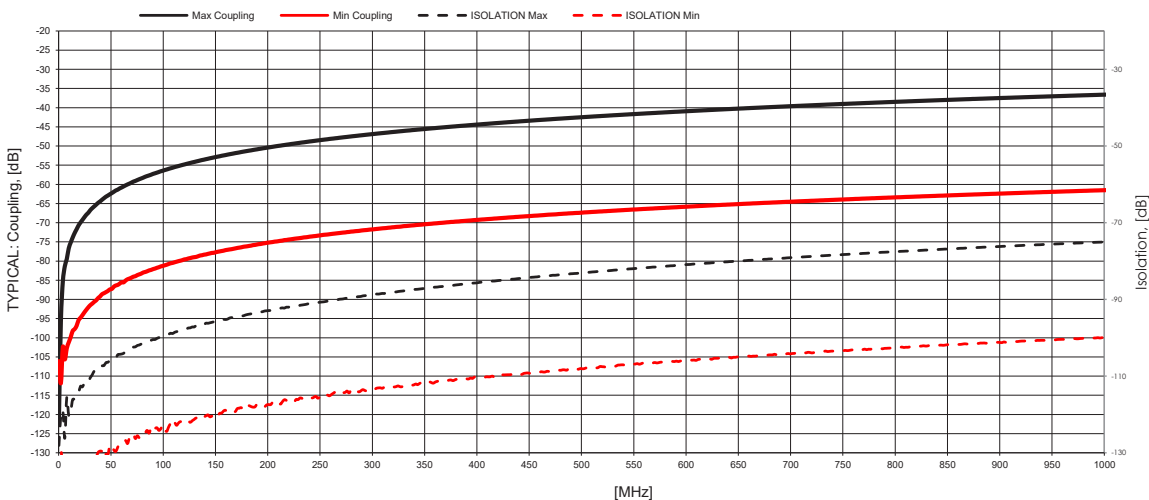


PRODUCT PROFILE

Directional couplers consist of a short loop inserted in the rigid line. Each end of the loop is then connected to a suitable contact, i.e. an SMA-type contact. Between the inner conductor and the loop there are two types of coupling - inductive and capacitive. The inductive coupling resembles a short coil with the voltage at each end 180 degrees apart. The capacitive coupling generates a phase voltage at both ends.



All our directional couplers deliver excellent directivity, stable performance and low VSWR.



COMPACT DIRECTIONAL COUPLER		
SPECIFICATIONS	6 1/8" (152 mm) Series	Option
DIRECTIVITY	32-40 dB	-
COUPLING RANGE	See plot, nom ±0.1	-
OUTPUT JACK	2 x SMA female	1 and 3 x SMA female
IMPEDANCE	50 Ohm	-
RETURN LOSS (VSWR)	>32 dB (<1.05)	-
FREQUENCY RANGE	50 MHz - 800 MHz	300 kHz - 800 MHz
MAX INPUT POWER RATING	RF connector size	-
MAX PRODUCT TEMPERATURE	70 °C	-
ENVIRONMENTAL CONDITION	-5 to 70 °C IP40	-
CONNECTORS	6 1/8" unflange	-
DIMENSIONS MAX (L x W x H)	180 x 265 x 230 mm	-
(Inch)	(7.1 x 10.4 x 9.1 in)	-
WEIGHT	5 kg (11 lb)	-
FRAME	Stand alone	-
COLOUR	Aluminium	-

ARTICLE: MDIR-2152-66-A

- MDIR** = Coupler type
2 = Number of probes
 1 = 1-probe, 2 = 2-probes, 3 = 3-probes
152 = Coaxial size
6 = Input connector
6 = Output connection
 6 = 6 1/8" unflange female
A = Version