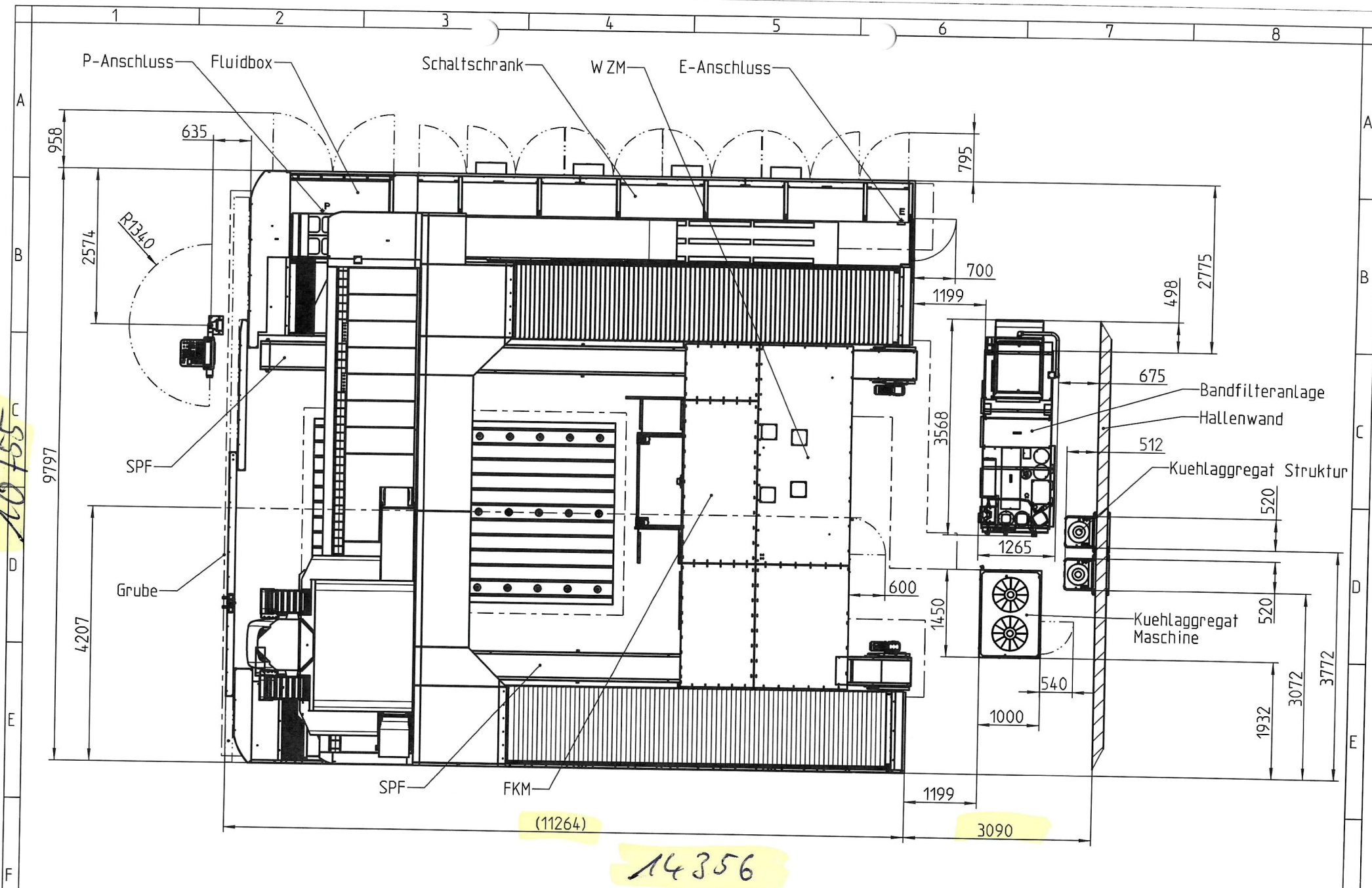


			wf.	Date(d.m.y)	Name	Title: DIM DIAGM - DMU600G*509359		The property and copyright is entitled to: DECKEL MAHO Pfronten GmbH -- Copyright according to ISD 16016 consider --			Drawing Number:		Rev.:	Type:	Sheet			
001	11.01.17	HEMMERJ	drw.	09.05.16	NEUTZMEM	Massbild		Scale: 1:50			DMG MORI		3379237		001		1/7	
Rev. Change No.	Date(d.m.y)	Changed by	rel.	16.01.17	HEMMERJ													



10755

(11264)

3090

14356

Rev. Change No.	Date(d.m.y)	Changed by	wf.	Date(d.m.y)	Name
001	11.01.17	HEMMERJ	drw.	09.05.16	NEUTZNEM
			rvw.		
			rel.	16.01.17	HEMMERJ

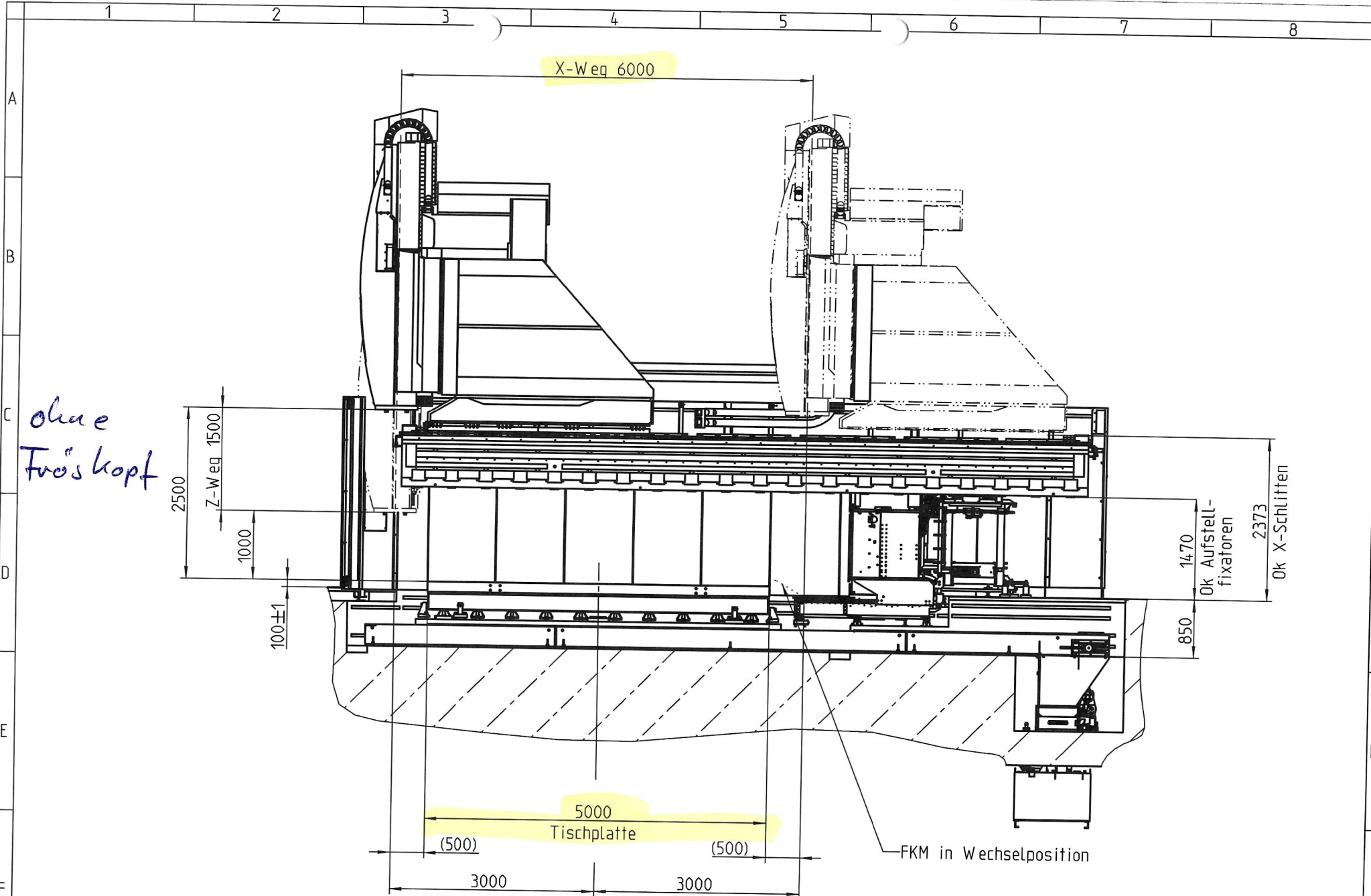
Titel: DIM DIAGM - DMU600G*509359
 Massbild
 Scale: 9:500

The property and copyright is entitled to:
 DECKEL MAHO Pfronten GmbH
 -- Copyright according to ISO 16016 consider --

DMG MORI
 Prev.: 2988071

Drawing Number:
 3379237

Rev.:	Type:	Sheet
001		2/7



ohne
Frös Kopf

FKM in Wechselposition

Rev. Change No.	Date(d.m.y)	Changed by	rel.	wf. Date(d.m.y)	Name
001	11.01.17	HEMMERJ	rel.	09.05.16	NEUTZNEM
			rel.	16.01.17	HEMMERJ

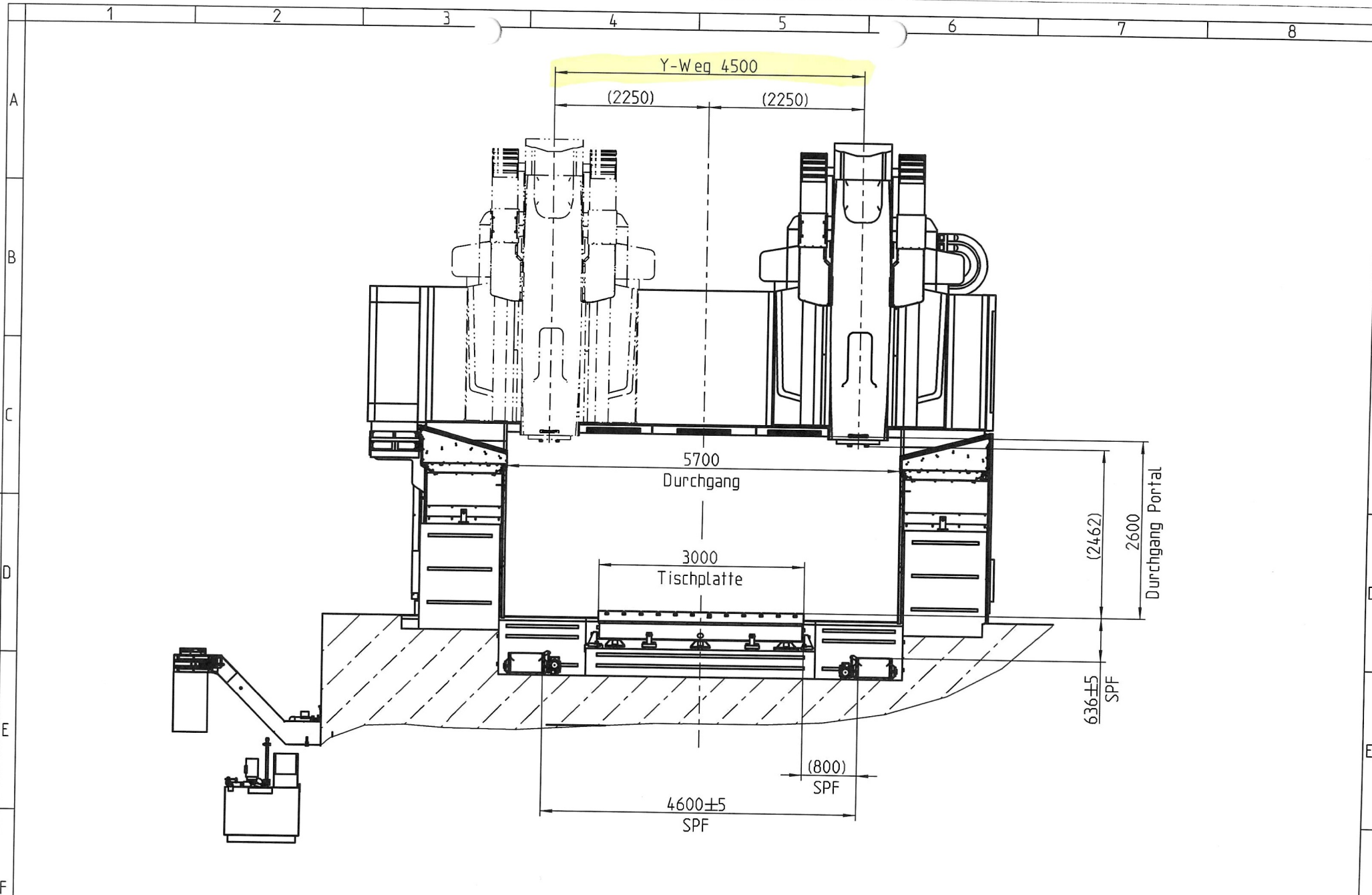
Title: DIM DIAGM - DMU600G*509359
 Massbild
 Scale: 1:50

The property and copyright is entitled to:
 DECKEL MAHO Pfronten GmbH
 -- Copyright according to ISO 16016 consider --

DMG MORI
 Prev.: 2988071

Drawing Number:
 3379237

Rev.:	Type:	Sheet
001		3/7



Rev. Change No.	Date(d.m.y)	Changed by	wf. Date(d.m.y)	Name
001	11.01.17	HEMMERJ	drw. 09.05.16	NEUTZNM
			rel. 16.01.17	HEMMERJ

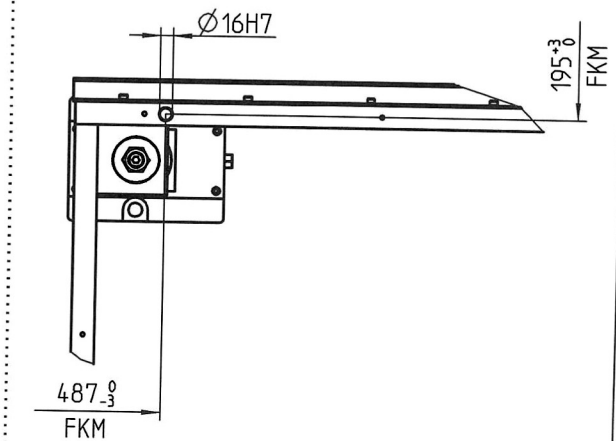
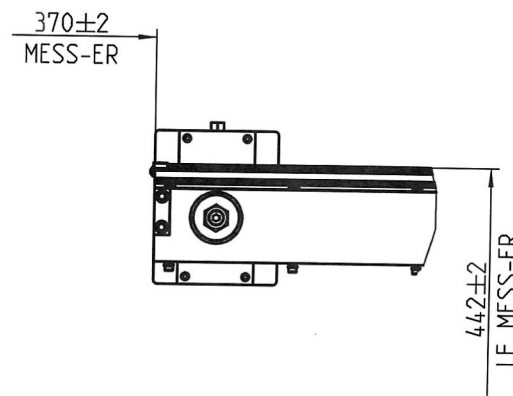
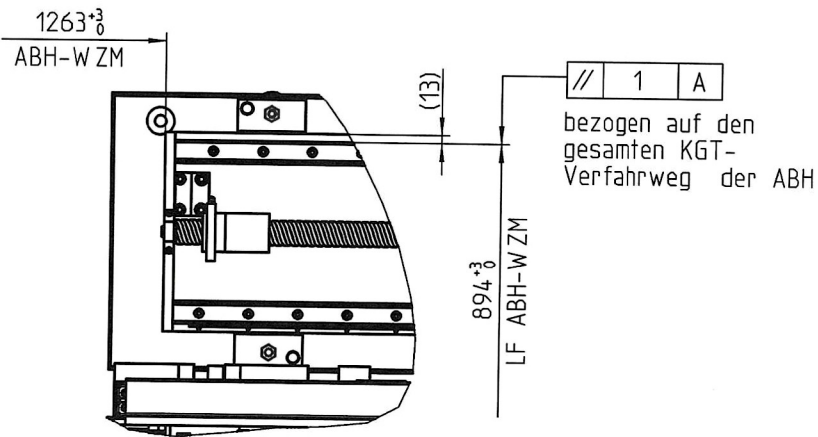
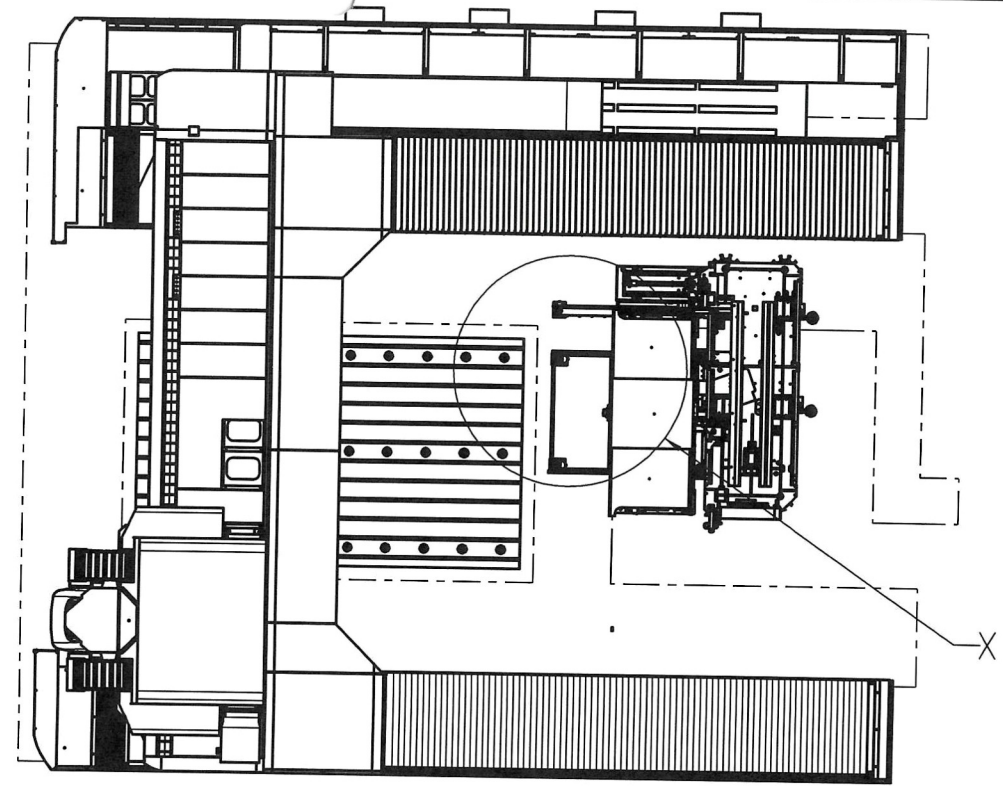
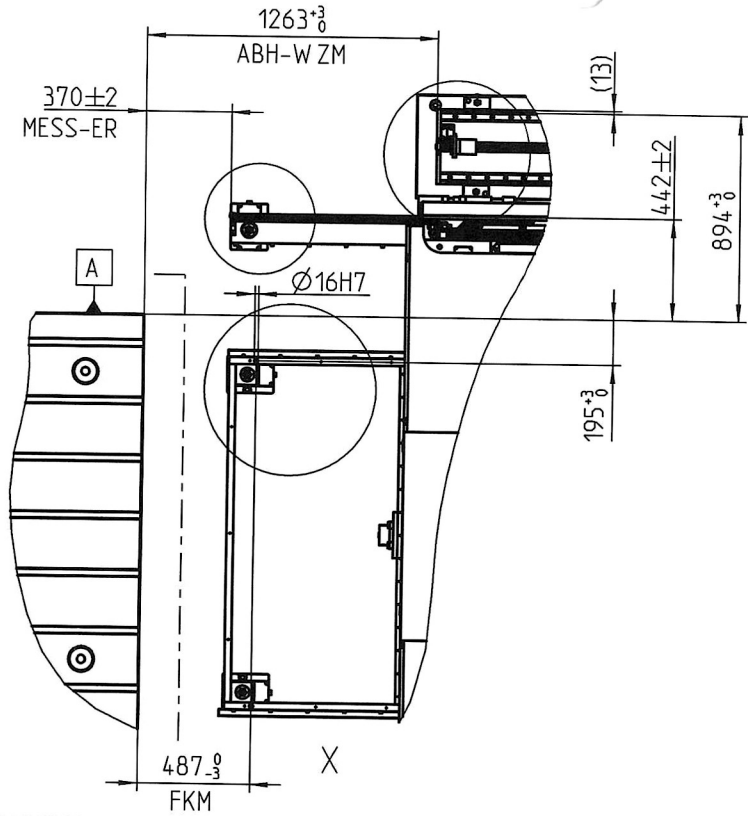
Title: DIM DIAGRM - DMU600G*509359
 Massbild
 Scale: 1:50

The property and copyright is entitl'd to:
 DECKEL MAHO Pfronten GmbH
 -- Copyright according to ISO 16016 consider --

DMG MORI
 Prev.: 2988071

Drawing Number:
 3379237

Rev.:	Type:	Sheef
001		4/7



Rev.	Change No.	Date(d.m.y)	Changed by	wf.	Date(d.m.y)	Name
001		11.01.17	HEMMERJ	drw.	09.05.16	NEUTZNEM
				rvw.		
				rel.	16.01.17	HEMMERJ

Titel: DIM DIAGM - DMU600G*509359

Massbild

Scale: 1:50

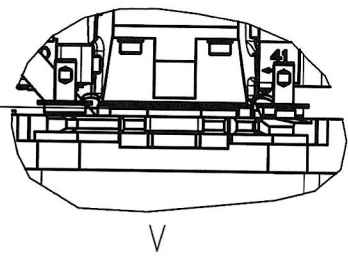
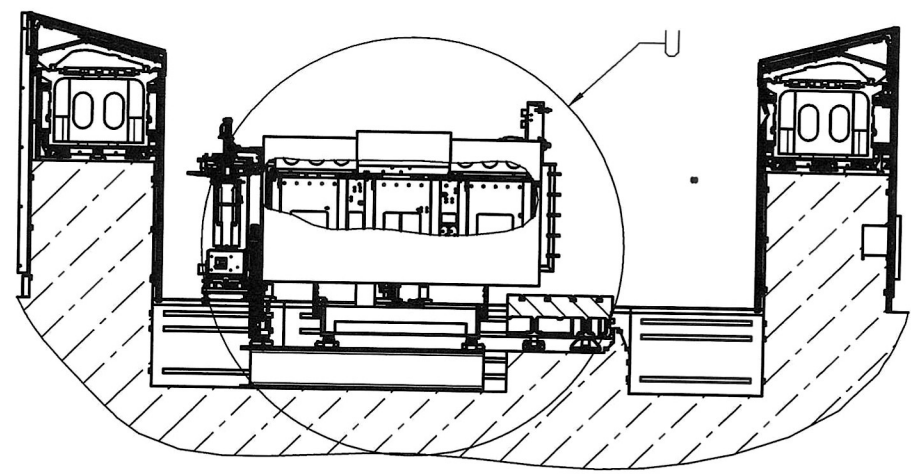
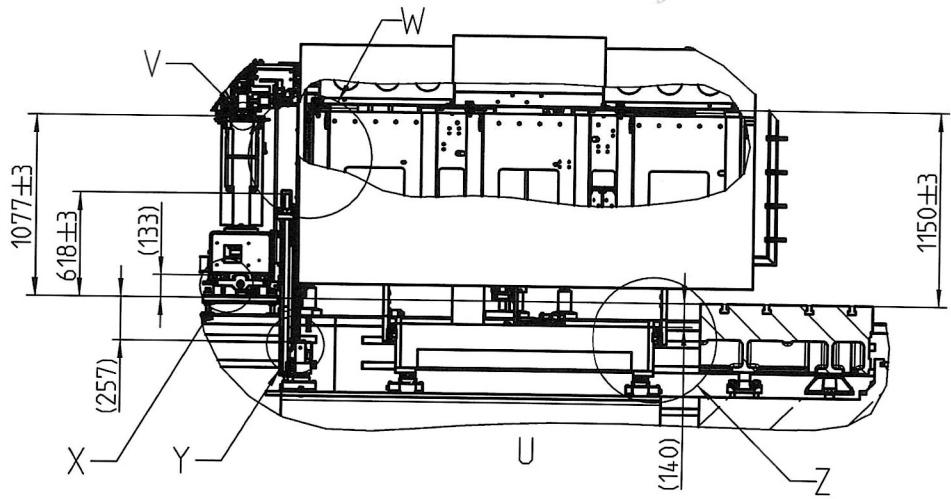
The property and copyright
is entitled to:
DECKEL MAHO Pfronten GmbH
-- Copyright according to
ISO 16016 consider --

DMG MORI

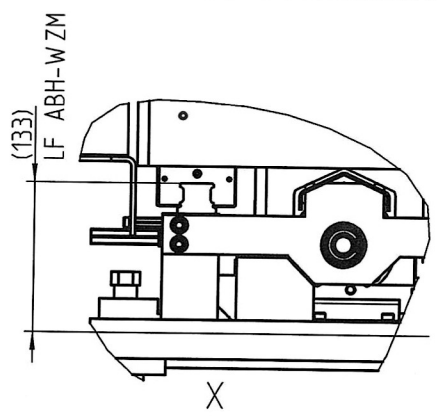
Prev.: 2968071

Drawing Number:
3379237

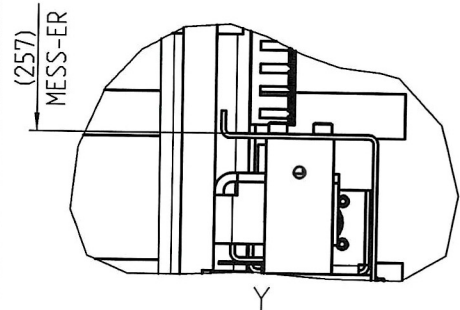
Rev.:	Type:	Sheet
001		5/7



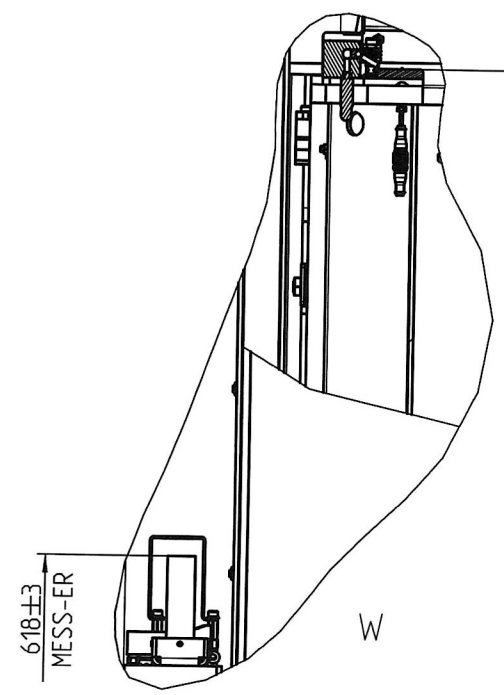
1077±3
ABH-WZM
Planflaeche WZ-
Schnittstelle



(133)
LF ABH-WZM

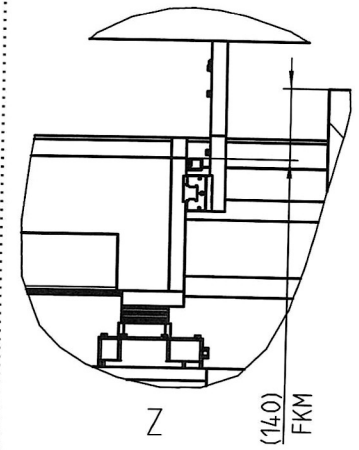


(257)
MESS-ER



618±3
MESS-ER

1150±3
FKM FK-Auflage



(140)
FKM

Rev. Change No.	Date(d.m.y)	Changed by	wf. drw.	Date(d.m.y)	Name
001	11.01.17	HEMMERJ	drw.	09.05.16	NEUTZNEM
			rev.		
			rel.	16.01.17	HEMMERJ

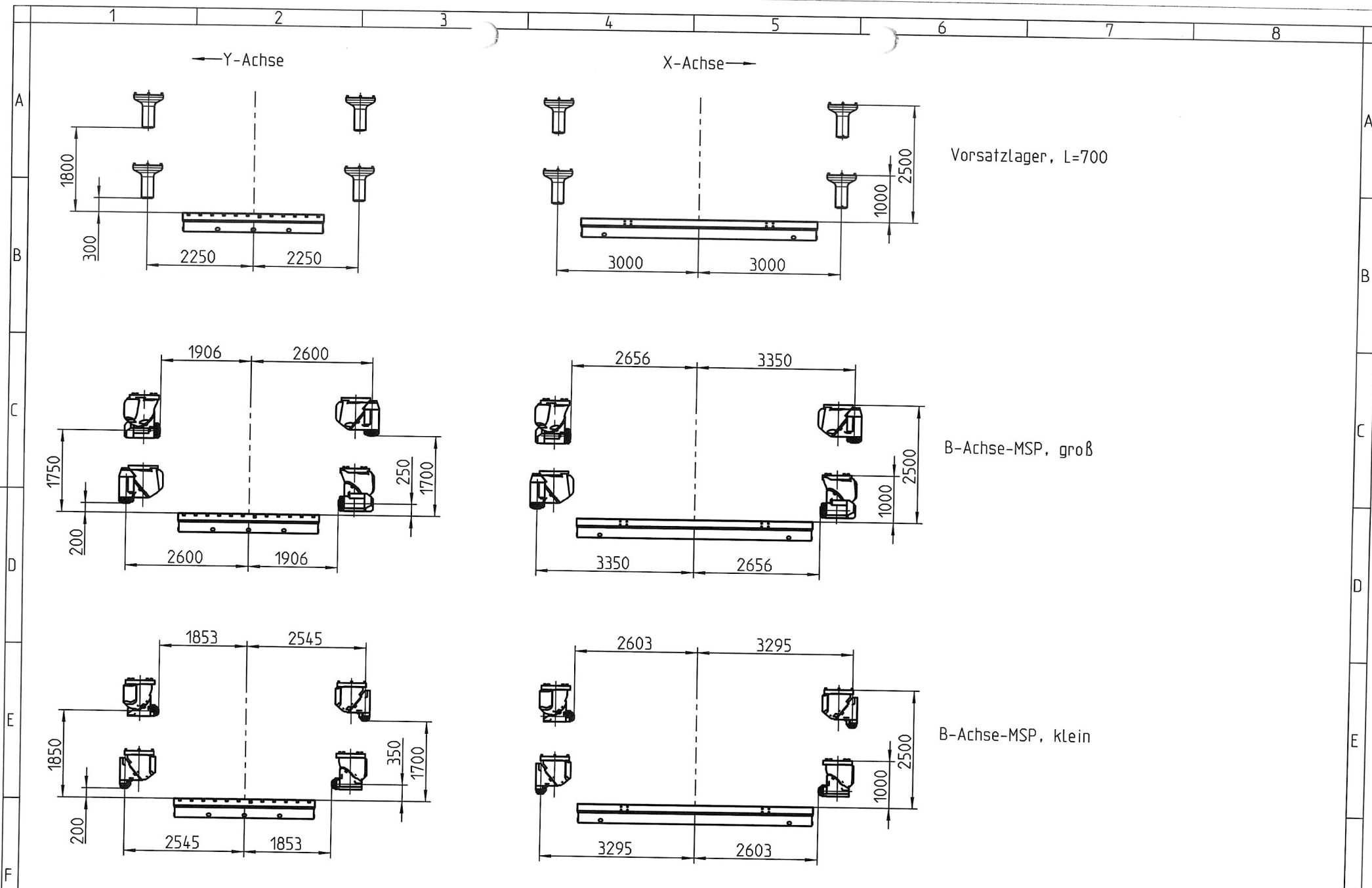
Title: DIM DIAGRM - DMU600G*509359
Massbild
Scale: 1:50

The property and copyright is entitled to:
DECKEL MAHO Pfronten GmbH
-- Copyright according to ISO 16016 consider --

DMG MORI
Prev.: 2988071

Drawing Number:
3379237

Rev.:	Type:	Sheef
001		6/7



Rev.	Change No.	Date(d.m.y)	Changed by	wf.	Date(d.m.y)	Name
001		11.01.17	HEMMERJ	drw.	09.05.16	NEUTZNMEN
				rvw.		
				rel.	16.01.17	HEMMERJ

Title: BIM DIAGRM - DMU600G*509359
 Massbild
 Scale: 1:500

The property and copyright is entitled to:
 DECKEL MAHO Pfronten GmbH
 -- Copyright according to ISO 16016 consider --

DMG MORI
 Prev.: 2988071

Drawing Number:
 3379237

Rev.:	Type:	Sheet
001		1/1