



# VOLVO S60



## S60 MOMENTUM

The Momentum variant offers a range of smart features including an automatic rain sensor, power adjustable driver's seat with memory function, electric lumbar support, an active 8" TFT crystal driver's display, rear park assist and bright décor trim around the side windows.

<b>Variants:</b>	<b>Diesel</b>	<b>Petrol</b>
	D4 Geartronic	T4 Geartronic
		T5 Geartronic

## S60 INSCRIPTION

The Inscription variant is the ultimate upgrade. The combination of a power adjustable passenger seat, 3-spoke leather steering wheel with decor inlay, bright décor on the front spoiler and active bending Bi-Xenon headlights with headlight cleaning system enhances the level of luxury on this variant. A High Performance multimedia audio system with a 7" colour display screen, internet connectivity and Bluetooth® also come as standard.

<b>Variants:</b>	<b>Diesel</b>	<b>Petrol</b>
	D4 Geartronic	T4 Geartronic
	D5 Geartronic	T5 Geartronic
		T6 Geartronic AWD

## S60 *R-DESIGN*

New 18" Ixion diamond cut alloy wheels together with the R-DESIGN chassis enhance the handling of this model. Visual presence is complemented by silver matt door mirrors, R-DESIGN unique rear exhaust pipes, sports seats with side support, R-DESIGN aluminium interior trim, unique R-DESIGN tread plates and a R-DESIGN sport leather steering wheel. A High Performance multimedia audio system with a 7" colour display screen, internet connectivity and Bluetooth® also come as standard.

<b>Variants:</b>	<b>Diesel</b>	<b>Petrol</b>
	D4 Geartronic	T4 Geartronic
	D5 Geartronic	T5 Geartronic
		T6 Geartronic AWD





**THE RIGHT EQUIPMENT.** It is essential that your Volvo comes equipped with everything you need. Below you will find standard equipment for each model variant, plus optional equipment to personalise your Volvo S60. And as you would expect, there is an array of industry-leading, cutting edge safety innovations.

STANDARD EQUIPMENT - SAFETY AND SECURITY	Momentum	Inscription	RDESIGN
City Safety	•	•	•
Stop / Start technology	•	•	•
Alarm with immobiliser and level sensor	•	•	•
IMS (Interior Movement Sensor)	•	•	•
Key integrated remote control, central locking	•	•	•
Home safe approaching lights	•	•	•
Power child locks, rear doors	•	•	•
Two step opening	•	•	•
Inner lock button and diode, all doors	•	•	•
Laminated windows (includes WRG on front door windows)	•	•	•
Trip computer	•	•	•
Cruise control	•	•	•
Hill Start Assist	•	•	•
Height / length adjustable steering wheel	•	•	•
Two step airbags, driver / passenger side	•	•	•
Passenger airbag	•	•	•
SIPS airbags	•	•	•
Inflatable curtains	•	•	•
Whiplash protection, front seats	•	•	•
Seat belt reminder, front seats	•	•	•
Pyrotechnical pre-tensioners, front / rear positions	•	•	•
Passenger airbag cut-off switch	•	•	•
ISOFIX - outer positions, rear seat	•	•	•
EBA (Emergency Brake Assist)	•	•	•
Emergency brake light, flashing	•	•	•
High positioned rear brake light	•	•	•
IDIS (Intelligent Driver Information System)	•	•	•
ESC (Electronic Stability Control)	•	•	•
ASC (Advanced Stability Control)	•	•	•
ABS (Antilock Brake System)	•	•	•

STANDARD EQUIPMENT - EXTERIOR	Momentum	Inscription	RDESIGN
Bright décor side windows, upper + lower, high gloss mirror foot	•	•	n/a
Standard Grille	•	•	n/a
Bright work décor, front spoiler, LH and RH side	o	•	n/a
Heated and electrically adjustable outer mirrors	•	•	•
Retractable rearview mirrors	•	•	•
Puddle lights in side mirrors	•	•	•

Continued overleaf

<b>STANDARD EQUIPMENT – EXTERIOR Continued</b>	<b>Momentum</b>	<b>Inscription</b>	<b>RDESIGN</b>
Colour matched side mirrors	●	●	n/a
Halogen headlights with level adjuster	●	n/a	n/a
Active Bi-Xenon headlights	○	●	●
Headlight washers, low flow	○	●	●
Dedicated LED - DRL (Daytime Running Lights)	●	●	●
Side positioning lights	●	●	●
Tread plates, standard	●	●	n/a
Insert rear bumper, black	●	●	●
Colour coded bumpers	●	●	●
Rear spoiler (optional on T4)	●	●	●
Rear fog light, auto-off	●	●	●
Park assist rear	●	●	●
Rain sensor	●	●	●
Indirect TPMS (Tyre Pressure Monitoring System)	●	●	●
Dual exhaust tail pipes (T4)	●	●	n/a
Dual exhaust tail pipes, Integrated (optional on T4)	●	●	n/a
Dynamic chassis	●	●	n/a
Sport chassis	○	○	●
Front brake discs 16 inch (n/a for D5 & T6)	●	●	●
Front brake discs 16,5 inch (only D5 & T6)	●	●	●
Rear brake discs, non-ventilated	●	●	●
EPB (Electrical Parking Brake)	●	●	●
Drive away release, parking brake	●	●	●
16" Hera Silver wheels (T4)	●	●	n/a
17" Pallene Silver wheels (D4 & T5)	●	●	n/a
18" Titania diamond cut wheels (D5 & T6)	n/a	●	n/a
<b>RDESIGN</b> Bright décor side windows, upper + lower			●
<b>RDESIGN</b> Grille			●
<b>RDESIGN</b> Silver side mirrors			●
<b>RDESIGN</b> Tread plates			●
<b>RDESIGN</b> Dual exhaust tail pipes			●
<b>RDESIGN</b> 18" Ixion III matt black diamond cut wheels			●

<b>STANDARD EQUIPMENT – INTERIOR</b>	<b>Momentum</b>	<b>Inscription</b>	<b>RDESIGN</b>
AQS (Air Quality System)	●	●	●
CZIP (CleanZone Interior Package)	●	●	●
ECC (Electronic Climate Control)	●	●	●
Laminated windscreen	●	●	●
Electrically heated rear window	●	●	●
Power windows, all doors	●	●	●





**STANDARD EQUIPMENT – INTERIOR Continued**

	Momentum	Inscription	REDESIGN
Digital combined instrument cluster with TFT crystal display	●	●	●
Standard leather seats	●	●	n/a
Power driver seat with memory for seat and exterior mirrors	●	●	●
Power passenger seat	○	●	○
Mechanically adjustable passenger seat, 6-way	●	n/a	●
Electric lumbar support	●	●	●
Fixed rear headrests	●	●	●
Milled brushed aluminium décor inlay	●	●	n/a
Audio controls in steering wheel	●	●	●
Leather steering wheel, 3-spoke	●	n/a	n/a
Leather steering wheel with décor inlay, 3-spoke	○	●	n/a
Leather gear knob	●	●	n/a
Gear lever illumination	●	●	●
Uni décor, Mannekin, air vents, CCM knobs	●	●	●
Automatically dimmed inner mirror	●	●	●
Illuminated vanity mirror, driver and passenger side	●	●	●
Interior lighting - mid version	●	●	●
Ashtray, front / rear and front cigarette lighter	●	●	●
Rear armrest with cup holders and storage	●	●	●
Textile floor mats (4 piece)	●	●	n/a
Front cup holders in tunnel console	●	●	●
Storage in front doors	●	●	●
Storage in front of the centre console	●	●	●
Front armrest	●	●	●
Parking ticket holder	●	●	●
Standard armrest, tunnel console	●	●	●
Standard sill, plastic	●	●	●
12V power outlet, cargo area	●	●	●
Warning triangle	●	●	●
Tyre sealant kit	●	●	●
Jack kit	●	●	●
Performance Sound / AUX / 6 x loud speakers	●	n/a	n/a
High Performance Sound / AUX / USB / Bluetooth® / 8 x loud speakers	○	●	●
Connected Service Booking	○	●	●
5" colour display screen	●	n/a	n/a
Single CD player with MP3 decoder	●	n/a	n/a
Single DVD, 7" colour display screen	○	●	●
Auxiliary audio input (AUX connector)	●	●	●
USB and IPOD function	○	●	●

<b>STANDARD EQUIPMENT – INTERIOR Continued</b>	<b>Momentum</b>	<b>Inscription</b>	<b>RDESIGN</b>
Voice control, advanced	o	●	●
Bluetooth® handsfree with audio streaming	o	●	●
<b>RDESIGN</b> Sport perforated leather seats			●
<b>RDESIGN</b> Décor inlay			●
<b>RDESIGN</b> Sport steering wheel			●
<b>RDESIGN</b> Gear lever knob			●
<b>RDESIGN</b> Textile floor mats (4 piece)			●
<b>RDESIGN</b> Sport pedals			●

<b>* OPTIONAL EQUIPMENT – SAFETY AND SECURITY</b>	<b>Price incl. 14% VAT</b>	<b>Momentum</b>	<b>Inscription</b>	<b>RDESIGN</b>
Active Bi-Xenon lights and headlight washers	R8,500.00	o	●	●
PCC (Personal Car Communicator) with Keyless Drive	R5,650.00	o	o	o
Pedestrian and cyclist detection with ACC (Adaptive Cruise Control) and distance alert, queue assist (Geartronic) and collision warning with full auto brake (i) (iv)	R19,000.00	o	o	o
LKA (Lane Keeping Aid), DAC (Driver Alert Control), RSI (Road Sign Information) with active high beam (i)	R9,750.00	o	o	o
BLIS (Blind Spot Information System) with CTA (Cross Traffic Alert)	R8,250.00	o	o	o
Park assist camera (rear parking camera) (iii)	R9,300.00	o	o	o
Park assist - front and rear	R2,850.00	o	o	o
Park assist pilot + park assist, front and rear	R7,000.00	o	o	o
Electric power steering, personalization	R2,750.00	o	o	o
Navigation system with RTTI and TMC (iii)	R10,500.00	o	o	o

<b>* OPTIONAL EQUIPMENT – INTERIOR</b>	<b>Price incl. 14% VAT</b>	<b>Momentum</b>	<b>Inscription</b>	<b>RDESIGN</b>
Humidity sensor	R1,275.00	o	o	o
Sport leather seats with side support	R6,000.00	o	o	n/a
Power passenger seat	R4,500.00	o	●	o
<b>RDESIGN</b> Nubuck / Textile sport seats	no cost	n/a	n/a	o
Quick foldable backrest, passenger seat	R375.00	o	o	n/a
Heated front seats	R1,850.00	o	o	o
Heated rear seat (ii)	R1,850.00	o	o	o
Electric folding rear headrests	R900.00	o	o	o
Aluminium décor inlay	no cost	o	o	n/a
Urbane wood décor inlay	R4,350.00	o	o	n/a
Piano black décor inlay	R2,250.00	o	o	n/a
Gearshift paddles	R1,850.00	o	o	o





**\* OPTIONAL EQUIPMENT - INTERIOR Continued**

	Price incl. 14% VAT	Momentum	Inscription	R-DESIGN
Leather steering wheel with décor inlays, 3-spoke	R850.00	o	●	n/a
Automatically dimmed inner mirror + compass	R1,275.00	o	o	o
Automatic dimming inner and outer mirrors	R1,750.00	o	o	o
Interior lighting - high version	R850.00	o	o	o
Sun curtain, rear window	R1,300.00	o	o	o
Textile floor mats black (4 piece) in beige interior	no cost	o	o	n/a
Sunglass holder	R315.00	o	o	o
High Performance Sound / AUX / USB / Bluetooth® / 8 x loud speakers	R10,600.00	o	●	●
Premium Sound by Harman Kardon / AUX / USB / Bluetooth® / 12 x speakers	R15,600.00	o	o	o
Remote control for multimedia (iii)	R1,200.00	o	o	o
First-aid kit	R315.00	o	o	o
Grocery bag holder	R800.00	●	●	o

**\* OPTIONAL EQUIPMENT - EXTERIOR**

	Price incl. 14% VAT	Momentum	Inscription	R-DESIGN
Metallic paint	R2,500.00	o	o	o
Dual integrated exhaust pipes (T4)	R2,200.00	o	o	n/a
Rear spoiler (T4)	R1,750.00	o	o	●
Infrared reflective windscreen	R4,950.00	o	o	o
Heated windscreen washer nozzles	R800.00	o	o	o
Sunroof	R8,500.00	o	o	o
Touring (Comfort) chassis	no cost	o	o	n/a
Sport chassis	R5,100.00	o	o	●
Bright work décor, front spoiler, LH and RH side	R1,200.00	o	●	n/a
17" Pallene silver wheels (std on D4, T5 and no cost on D5, T6)	R7,500.00	o	o	n/a
17" Rodinia glossy black diamond cut accessory wheels (not on D5 and T6)	R12,000.00	o	o	n/a
18" Skadi silver bright wheels (no cost on D5, T6)	R7,500.00	o	o	n/a
18" Titania diamond cut wheels (std on D5, T6)	R7,500.00	o	o	n/a
18" Modin iron stone diamond cut accessory wheels (no cost on D5 and T6)	R12,000.00	o	o	n/a
18" Freja dark grey diamond cut accessory wheels (no cost on D5 and T6)	R12,000.00	o	o	n/a
19" Ixion IV matt black diamond cut wheels (R-Design)	R7,500.00	n/a	n/a	o
19" Artio tech matt grey diamond cut accessory wheels (v)	R12,000.00	o	o	n/a
19" Portia silver wheels (v)	R7,500.00	o	o	n/a
19" Portia black diamond cut wheels (v)	R7,500.00	o	o	n/a
Lockable wheel nuts	R800.00	o	o	o

● = standard; o = option; n/a = not available; \* Fitted at factory.


(i) Not in conjunction with IR (Infrared) reflective windscreen.

(ii) Must be ordered in conjunction with heated front seats.

(iii) Must be ordered in conjunction with High Performance multimedia audio or Premium Sound multimedia audio systems (7" colour display screen).

(iv) Only in combination with LDW (Lane Departure Warning) system.

(v) Only in combination with sport chassis.

Prices are inclusive of 14% VAT	Momentum	Inscription	
<b>S60 SPORT PACK - T4</b>	<b>R 29,250.00</b>	<b>n/a</b>	<b>n/a</b>
Rear spoiler	o		
Headlamp cleaners	o		
Lockable wheel nuts	o		
Dynamic bending lights (Bi-Xenon)	o		
Park assist - front and rear	o		
18" Titania diamond cut wheels (Swop for Freja, Modin, Pallene, Skadi, Rodinia)	o		
Leather steering wheel with décor inlay, 3-spoke	o		
Bright work décor, front spoiler, LH and RH side	o		
Electric power steering, personalization	o		
High Performance Sound Multimedia DVD and Connectivity, Bluetooth®, AUX, USB and 8 loud speakers	o		
<b>S60 SPORT PACK - D4, T5</b>	<b>R 28,500.00</b>	<b>n/a</b>	<b>n/a</b>
Headlamp cleaners	o		
Lockable wheel nuts	o		
Dynamic bending lights (Bi-Xenon)	o		
Park assist - front and rear	o		
18" Titania diamond cut wheels (Swop for Freja, Modin, Pallene, Skadi, Rodinia)	o		
Leather steering wheel with décor inlay, 3-spoke	o		
Bright work décor, front spoiler, LH and RH side	o		
Electric power steering, personalization	o		
High Performance Sound Multimedia DVD and Connectivity, Bluetooth®, AUX, USB and 8 loud speakers	o		
<b>S60 SPORT PACK - T4</b>	<b>n/a</b>	<b>R 18,500.00</b>	<b>n/a</b>
Rear spoiler		o	
Lockable wheel nuts		o	
PCC with Keyless Drive		o	
Park assist - front and rear		o	
18" Titania diamond cut wheels (Swop for Freja, Modin, Pallene, Skadi, Rodinia)		o	
Electric power steering, personalization		o	
<b>S60 SPORT PACK - D4, T5</b>	<b>n/a</b>	<b>R 17,500.00</b>	<b>n/a</b>
Lockable wheel nuts		o	
PCC with Keyless Drive		o	
Park assist - front and rear		o	
18" Titania diamond cut wheels (Swop for Freja, Modin, Pallene, Skadi, Rodinia)		o	
Electric power steering, personalization		o	
<b>S60 SPORT PACK - D5, T6</b>	<b>n/a</b>	<b>R 22,500.00</b>	<b>n/a</b>
Sport chassis		o	
Lockable wheel nuts		o	
PCC with Keyless Drive		o	
Park assist - front and rear		o	
Gearshift paddles		o	
Electric power steering, personalization		o	
19" Artio black diamond cut wheels (Swop for Portia Black, Portia Silver)		o	

Prices are inclusive of 14% VAT	Momentum	Inscription	
<b>S60 TECHNO PACK - T4, D4, T5</b>	<b>R 43,500.00</b>	<b>n/a</b>	<b>n/a</b>
Power passenger seat	o		
Heated front seats	o		
Headlamp cleaners	o		
Navigation system with RTTI and TMC	o		
PCC with Keyless Drive	o		
Dynamic Bending Lights (Bi-Xenon)	o		
Park assist - front and rear	o		
18" Titania diamond cut wheels (Swop for Freja, Modin, Pallene, Skadi, Rodinia)	o		
Electric power steering, personalization	o		
High Performance Sound Multimedia DVD and Connectivity, Bluetooth®, AUX, USB and 8 loud speakers	o		
<b>S60 TECHNO PACK - T4, D4, T5</b>	<b>n/a</b>	<b>R 27,250.00</b>	<b>n/a</b>
Heated front seats		o	
Navigation system with RTTI and TMC		o	
PCC with Keyless Drive		o	
Park assist - front and rear		o	
18" Titania diamond cut wheels (Swop for Freja, Modin, Pallene, Skadi, Rodinia)		o	
Electric power steering, personalization		o	
<b>S60 TECHNO PACK - D5, T6</b>	<b>n/a</b>	<b>R 22,250.00</b>	<b>n/a</b>
Heated front seats		o	
Navigation system with RTTI and TMC		o	
PCC with Keyless Drive		o	
Park assist - front and rear		o	
Electric power steering, personalization		o	
<b>S60 PREMIUM PACK - T4, D4, T5</b>	<b>R 46,000.00</b>	<b>n/a</b>	<b>n/a</b>
Power passenger seat	o		
Heated front seats	o		
Headlamp cleaners	o		
Navigation system with RTTI and TMC	o		
PCC with Keyless Drive	o		
Dynamic bending lights (Bi-Xenon)	o		
Park assist - front and rear	o		
18" Titania diamond cut wheels (Swop for Freja, Modin, Pallene, Skadi, Rodinia)	o		
Electric power steering, personalization	o		
Premium Sound by Harman Kardon / AUX / USB / Bluetooth® / 12 x speakers	o		

o = option; n/a = not available



Prices are inclusive of 14% VAT	Momentum	Inscription	R-DESIGN
<b>S60 PREMIUM PACK - T4, D4, T5</b>	n/a	R 30,250.00	n/a
Heated front seats		o	
Navigation system with RTTI and TMC		o	
PCC with Keyless Drive		o	
Park assist - front and rear		o	
18" Titania diamond cut wheels (Swop for Freja, Modin, Pallene, Skadi, Rodinia)		o	
Electric power steering, personalization		o	
Premium Sound by Harman Kardon / AUX / USB / Bluetooth® / 12 x speakers		o	
<b>S60 PREMIUM PACK - D5, T6</b>	n/a	R 25,750.00	n/a
Heated front seats		o	
Navigation system with RTTI and TMC		o	
PCC with Keyless Drive		o	
Park assist - front and rear		o	
Electric power steering, personalization		o	
Premium Sound by Harman Kardon / AUX / USB / Bluetooth® / 12 x speakers		o	
<b>S60 R-DESIGN PLUS</b>	n/a	n/a	R 18,500.00
Power passenger seat			o
Heated front seats			o
Lockable wheel nuts			o
Grocery bag holder, trunk			o
PCC with Keyless Drive			o
Park assist - front and rear			o
Gearshift paddles			o
Electric power steering, personalization			o
Interior theatre lighting - high version			o
19" Ixion IV black diamond cut wheels (Swop for 18" Ixion III matt black diamond cut)			o
<b>S60 R-DESIGN PREMIUM PLUS</b>	n/a	n/a	R 31,000.00
Power passenger seat			o
Heated front seats			o
Navigation system with RTTI and TMC			o
Lockable wheel nuts			o
Grocery bag holder, trunk			o
PCC with Keyless Drive			o
Park assist - front and rear			o
Gearshift paddles			o
Electric power steering, personalization			o
Interior theatre lighting - high version			o
19" Ixion IV black diamond cut wheels (Swop for 18" Ixion III matt black diamond cut)			o
Premium Sound by Harman Kardon / AUX / USB / Bluetooth® / 12 x speakers			o
<b>S60 DRIVER SUPPORT PACK</b>	R 28,500.00	R 28,500.00	R 28,500.00
Auto dimming inner and outer mirrors	o	o	o
Blind Spot Information System	o	o	o
Driver Alert System and Lane Keeping Aid	o	o	o
ACC + Collision Warning with Auto Braking	o	o	o

o = option; n/a = not available







V O L V O

S60

S60  
Inscription

T5



*“Sensus is our way of enabling you to communicate instinctively with your car, and keep you connected with your digital world.”*

## YOU'RE IN CONTROL, NATURALLY.

### *SENSUS*

---

We have designed a gorgeous space around the driver. All of our instruments and controls are intuitive and easy to use. We call this approach of connecting you and your car with the world around you, “Sensus”.

You can also choose between three unique instrument cluster modes to customize your driving experience even further.

The Sensus screen is a multimedia hub, giving you immediate connectivity to information and entertainment at your fingertips.



City Safety functions at speeds up to 50 km/h. This system can help prevent a collision if the difference in speed between your vehicle and the vehicle ahead is less than 15 km/h.

We've further improved our optional Blind Spot Information System (BLIS). It now uses radar technology to alert you to vehicles closing up in your blind spot. There's also Cross Traffic Alert, which watches out for vehicles you can't see when you're reversing out of tight parking spaces.

Because we care about other road-users just as much as you, Pedestrian and Cyclist Detection with Full Auto-Brake watches out for pedestrians and cyclist in your path and applies the brakes if you're unable to react in time.

*“Relax and let your Volvo do the hard work for you.”*

*“Our Drive-E powertrains give you an exhilarating driving experience with smooth, instant response and a reduced environmental impact.”*

## COMMITTED TO SAFETY.

## SUSTAINABLE DRIVING IS EXCITING.

### INTELLISAFE

Since the birth of Volvo Cars in 1927, keeping you safe has been part of our DNA. We have pioneered safety advances and invented life-saving technologies, such as the three-point safety belt. We have also equipped all of our cars with safety cages and laminated windscreens since 1944. In 1976, we developed the catalytic converter and the lambda sond, a sensor that monitors exhaust gas, reducing emissions and boosting performance as well as economy.

Today, we are building cars that actively scan the area around you, looking out for the unexpected. Volvo pioneered City Safety, a low-speed collision avoidance technology that helps prevent collisions at speeds up to 50 km/h. We were the world's first car manufacturer to include this feature as standard equipment in all new models.

We also developed Pedestrian Detection, a system that detects pedestrians and brakes

the car when necessary, and we will not stop there.

Tracker Connect provides access to roadside assistance and emergency support at the touch of a button. Also included is automatic collision alert, which notifies a trained operator to contact the vehicle and send emergency service as soon as a collision is detected. In the future, our aim is to design cars that will prevent collisions with other road users altogether.

### DRIVE-E

At the heart of every Volvo car we make is our approach to sustainable driving and innovative thinking. We offer a range of technologies that give you greater efficiency and lower running costs.

Our Drive-E powertrains combine the low fuel consumption and emissions of a four cylinder engine with the performance of a six or eight cylinder engine. The result is a smooth, powerful drive, with fewer stops at the pumps. We also offer an interior Air Quality System that checks incoming air for pollutants and closes the vents when necessary – we call this CleanZone. An active carbon filter helps

protect you from harmful gases and unpleasant odors, so you can breathe happy and healthy.

At Volvo Cars, we always strive to make our manufacturing process sustainable. All of the electricity for our factories in Sweden and Belgium comes from clean hydro-electric or wind power. Environmentally-aware mobility is central to our philosophy of intelligent, thoughtful luxury.





## CHOICES THAT MAKE YOUR VOLVO AS INDIVIDUAL AS YOU ARE

Proud sponsor of the unfair advantage. Choose the Volvo S60 R-DESIGN variant and the S60 receives a first class attitude adjustment - inside and out. Boldly provocative yet tastefully reserved, the exclusive R-DESIGN styling elements and special chassis, express a definitive passion for sport. From its aggressive prow with larger intakes to the rear diffuser with dual tailpipes, the Volvo S60 R-DESIGN exudes confidence at every turn.



#### **R-DESIGN upholstery**

Settle back in unique off black full leather sports seats.

#### **R-DESIGN décor inlay**

The centre stack and door handle inlays convey a sporty, contemporary feel.

#### **Sports gear knob**

The illuminated gear knob with perforated leather, adds excitement to the drive.

#### **Sports pedals**

Enhance the driving experience with these tough, ridged sports pedals.

#### **Sports steering wheel**

Every R-DESIGN model features an exclusive sports steering wheel with embossed logo.

#### **R-DESIGN digital instrument cluster**

The R-DESIGN variants get an intuitive digital driver information display with a unique R-DESIGN sporty blue start-up theme.

#### **Sports floor mats**

Look down and you will see exclusive sports floor mats that set the stage, front and back.







**INTERIOR DETAILS.** A selection of premium materials to complement your interior upholstery.



Leather steering wheel, Off black



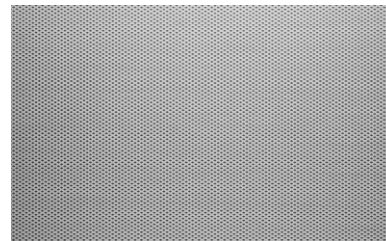
Leather steering wheel, Off black with silk metal inlay



Paddle shift steering wheel



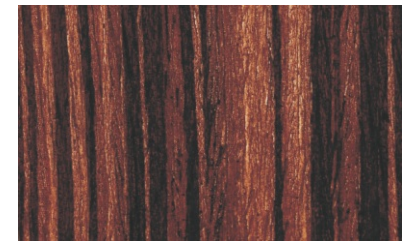
Leather gear knob with illumination



Milled brushed aluminium inlay



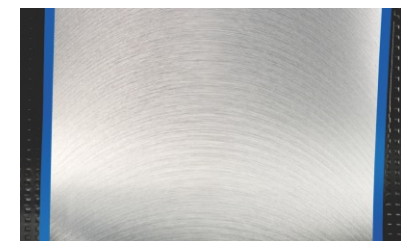
Aluminium inlay



Urbane wood inlay



Piano black inlay



REDESIGN inlay

**COLOUR YOUR VOLVO.** When it comes to the appearance of your Volvo, the choice of exterior colour and wheels are probably your most important design decisions. For more exterior styling options and to build your new Volvo online, please visit [www.volvocars.com/za](http://www.volvocars.com/za)



019 Black Stone  
solid



467 Magic Blue  
metallic



477 Electric Silver  
metallic (i)



492 Savile Grey  
metallic (i)



612 Passion Red  
solid (i)



614 Ice White  
solid (i)



707 Crystal White  
pearl metallic (i)



711 Bright Silver  
metallic



714 Osmium Grey  
metallic (i)



717 Onyx Black  
metallic (i)



719 Luminous Sand  
metallic



720 Bursting Blue  
metallic (ii)



721 Mussel Blue  
metallic

(i) Also available on **REGEN** (ii) **REGEN** only

**Please note:** It is not possible to reproduce exact original shades in printed matter. Please ask your dealer to show you samples.

**CLEAN COLOURS.** To reduce usage of environmentally hazardous solvents all Volvo exterior colours are water-based. What is more, our painting facilities are among the cleanest in the world.





**EXTERIOR DESIGN. S60 Alloy wheels.**

DC: Diamond Cut



16" Hera, silver



17" Pallene, silver



17" Rodinia, black, DC



18" Titania, black, DC



18" Skadi, silver bright



18" Modin, iron stone, DC  
(accessory wheel)



18" Freja, dark grey, DC  
(accessory wheel)



18" Ixion III, matt black, DC  
(REDESIGN only)



19" Artio, tech matt grey, DC  
(accessory wheel)



19" Portia, silver



19" Portia, black, DC



19" Ixion IV, matt black, DC  
(REDESIGN only)

**IN FINE DETAIL.** The nuts and bolts of your Volvo S60. Whatever you need to know about your new car – be it fuel consumption, CO<sub>2</sub> emissions, top speed or boot space – you will find it here.

ENGINE		T4 Geartronic	T5 Geartronic	D4 Geartronic	D5 Geartronic	T6 Geartronic AWD
Configuration		Transverse – 16 valve	Transverse – 16 valve	Transverse – 16 valve	Transverse – 16 valve	Transverse – 16 valve
Cylinders		4	4	4	4	4
Engine capacity, cc		1969	1969	1969	1969	1969
Bore x stroke, mm		82 x 93.2	82 x 93.2	82 x 93.2	82 x 93.2	82 x 93.2
Max. output ECE,	PS kW rpm	190 140 4700	245 180 5500	190 140 4250	225 165 4250	306 225 5700
Max. torque ECE,	Nm rpm	300 1300-4000	350 1500-4800	400 1750-2500	470 1750-2500	400 2100-4800
Octane rating		95 RON unleaded	95 RON unleaded	50ppm Diesel	50ppm Diesel	95 RON unleaded
Fuel system		Direct fuel injection	Direct fuel injection	Common rail direct injection	Common rail direct injection	Direct fuel injection
Compression ratio		11,3:1	10,8:1	15,8:1	15,8:1	10,3:1

PERFORMANCE		T4 Geartronic	T5 Geartronic	D4 Geartronic	D5 Geartronic	T6 Geartronic AWD
Top speed km/h		230	230	230	230	250
Acceleration 0-100 km/h sec		7.2	6.3	7.6	6.4	5.9
Drag coefficient		0.28	0.28	0.28	0.28	0.28

FUEL CONSUMPTION*		T4 Geartronic	T5 Geartronic	D4 Geartronic	D5 Geartronic	T6 Geartronic AWD
Urban	l/100 km*	7.4	8.6	5.3	5.4	9.2
Extra Urban	l/100 km*	4.8	4.9	3.7	4.0	5.6
Combined	l/100 km*	5.8	6.2	4.3	4.5	6.9
CO <sub>2</sub> g/km*		134	145	113	119	161
Fuel tank capacity	(litres)	68	68	68	68	68

**The results do not express or imply any guarantee of the fuel consumption of a particular car as there are inevitable differences between individual cars of the same model. Additionally, driving style, traffic conditions, as well as the age and mileage and standard of maintenance will affect a car's fuel consumption.**

- \* All fuel consumption figures and CO<sub>2</sub> emissions are based on the New European Driving Cycle (NEDC) test procedure. This test procedure is designed to assess the emission levels of car engines and fuel economy in passenger cars.
- \* The results do not express or imply any guarantee of the fuel consumption of a particular car as there are inevitable differences between individual cars of the same model. Additionally, driving style, traffic conditions, as well as the age and mileage and standard of maintenance will affect a car's fuel consumption.
- \* The weight of the vehicle will influence the level of CO<sub>2</sub> emitted. As a result, vehicles with higher levels of specification and factory fit options may emit higher levels of CO<sub>2</sub>.

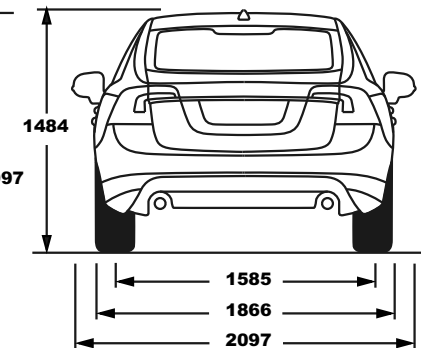
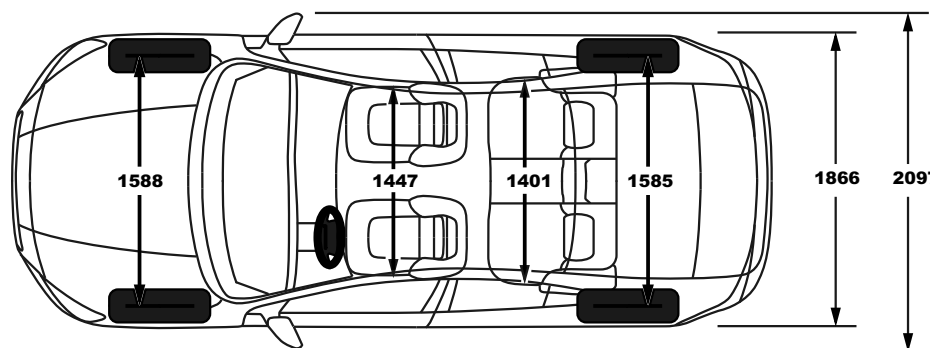
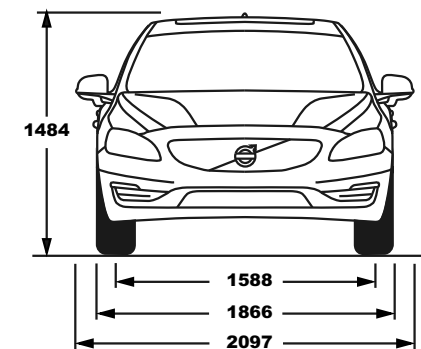
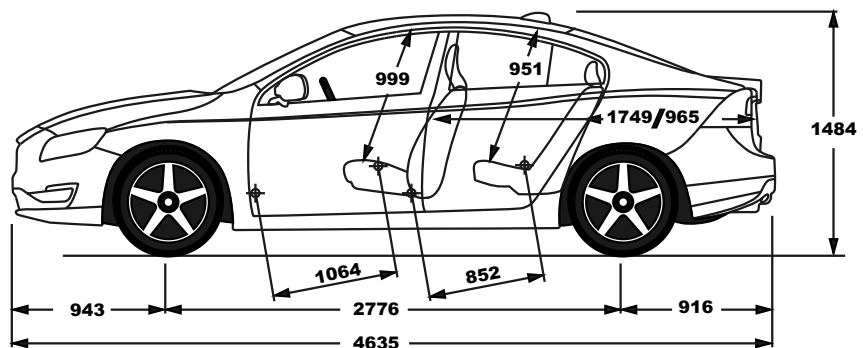
POWER STEERING SYSTEM Turning circle, m (rack and pinion)	ALL MODELS
T4, T5, D4	11.3
D5, T6	11.9

LUGGAGE COMPARTMENT Volume measured in litres	ALL MODELS
Volume with tyre repair kit	380
Volume with Tempa spare wheel	302

TRANSMISSION	ALL MODELS
Geartronic (T4)	6 speed
Geartronic FWD (D4, D5, T5)	8 speed
Geartronic AWD (T6)	8 speed

BRAKES	ALL MODELS
Front disc diameter, mm	336 Ventilated
Rear disc diameter, mm	302

GROUND CLEARANCE	ALL MODELS
Kerb (mm)	136



WEIGHT	T4 Geartronic	T5 Geartronic	D4 Geartronic	D5 Geartronic	T6 Geartronic AWD
Min. kerb weight, kg (actual kerb weight dependent on spec.)	1532	1548	1571	1570	1645
Max. possible towing weight braked, kg	1600	1800	1800	1800	1800
Max. towing weight unbraked, kg**	750	750	750	750	750
Max. total weight, kg	2110	2110	2110	2110	2180
Max. roof load, kg	75	75	75	75	75

All measurements in mm.

\*\* Unbraked towing weight must not exceed 50% of kerb weight up to a maximum of approximately 750 kg.

**NB** Some of the information in this brochure may not be correct due to product changes which may have occurred since it was printed. Some of the equipment described or shown may now be available only at extra cost. Before ordering, please ask your Volvo dealer for the latest information. The manufacturer reserves the right to make changes at any time, without notice, to colour, materials, specifications and models.

Volvo Car South Africa.





Volvo Car  
Financial Services  
A product of WesBank



Volvo Car  
Financial Services  
A product of WesBank

## Volvo Car Road Side Assistance

On 1 January 2014, Tracker Connect became Volvo's new roadside assistance partner.

### Services include:

- Medical emergency assistance
- Fuel assistance
- Recovery towing
- Emergency transportation
- "Stand by you" roadside security
- Free mobile app
- Web access to conveniently position your vehicle or draw reports which can be used to log and submit business or private usage to SARS.
- Volvo Car South Africa branded smartphone app
- Flat tyre assistance
- Battery service
- Overnight accommodation
- Accident towing
- Repatriation
- In-car Volvo Assist button
- Impact detection
- Mileage monitoring

Furthermore, the option to include Proactive Stolen Vehicle Recovery for as little as R199\* per month is also available.

\* Reviewed and adjusted annually.

**The number to call is 0800 MYVOLVO (698 6586)**

## Volvo Car Financial Services

Volvo Car Financial Services has flexible financing options that enable you to structure your deal according to your specific requirements.

We want your experience of buying and owning a Volvo to be enjoyable and hassle-free. That is why we have developed the following online service tools:

- Online finance application – apply for finance any time of day or night and get an instant answer.
- Calculators – calculate your monthly repayments or calculate the value of a vehicle that you could buy based on a specified monthly repayment.
- Account services – manage your account in a secure and user-friendly online environment in real time.

So, remember to insist on Volvo Car Financial Services at your dealer or simply visit [www.volvocars.com/za](http://www.volvocars.com/za) for more information.

## Volvo Versatility Finance

**For a tailor-made deal and guaranteed future value.**

With best-in-class guaranteed future value across the entire Volvo range, it is a forward-thinking way to finance and future-proof your dream Volvo. When you reach the end of your finance period, you can renew, return or retain your Volvo. It is all up to you.

**Flexibility today. Certainty tomorrow.**

\* Terms and conditions apply. As at time of print.



Volvo Car  
Insurance

## Volvo Car Insurance

**Peace of mind. Our idea of luxury.**

A Volvo-personalised insurance scheme. Highly competitive comprehensive insurance premiums available on all Volvo models.

**Ask your Volvo dealer for more information.**

Underwritten by Guardrisk Insurance Company (PTY) LTD, FSP NO:75. Administered by Insurance Underwriting Managers (PTY) LTD, FSP NO:21820.

\* Terms and conditions apply.

**V O L V O**

**All models standard with a 5 year / 100 000km Volvo Plan.**

**NB** Some of the information in this brochure may not be correct due to product changes which may have occurred since it was printed. Before ordering, please ask your Volvo dealer for the latest information. The manufacturer reserves the right to make changes at any time, without notice, to colour, materials, specifications and models. Issued June 2017.

[VOLVOCARS.COM/ZA](http://VOLVOCARS.COM/ZA)