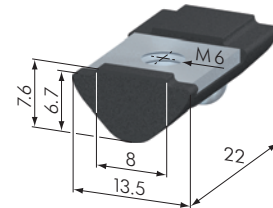


T-Nuts steel / plastic

Thread	M 3	M 4	M 5	M 6
Part N ^o	SV2145S	SV2146S	SV2147S	SV2148S
Weight	4 g	4 g	4 g	4 g

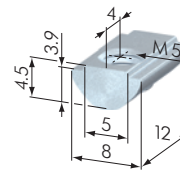
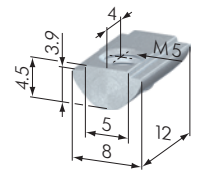
40
30

SV2148S

Application: T-nut for swiveling into the t-slot. Fits into the t-slot at any point. Held in position by a spring-loaded ball. Raised area fits into groove to stop twisting.

Material: plastic t-nut with steel insert

T-Nuts mini

Thread	M 4	M 4 VA	M 5	M 5 VA
Part N ^o	SV2192V	SV2194V	SV2193V	SV2195V
Weight	2 g	2 g	2 g	2 g

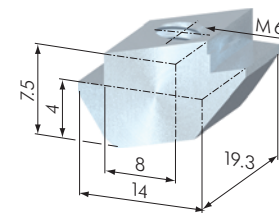
20

SV2193V

SV2195V

Application: T-nut for swiveling into the t-slot. Fits into the t-slot at any point. Held in position by a spring-loaded ball. Raised area fits into groove to stop twisting.

Material: steel, zinc-plated

Square T-Nuts

Thread	M 4	M 5	M 6
Part N ^o	SV2178N	SV2179N	SV2180N

40
30

SV2180N

Application: T-nut for swiveling into the t-slot. Fits into the t-slot at any point.

Material: GDZn (zinc diecasting)

Double T-Nuts 40 / 20

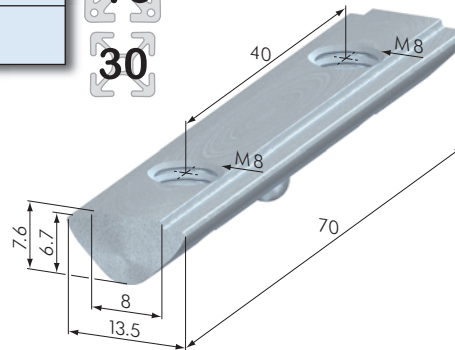
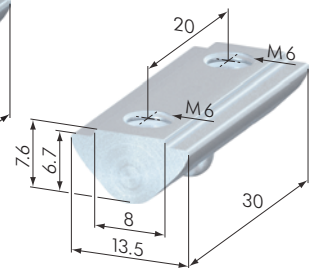
Thread	40 M 8	20 M 6
Part N ^o	SV2202V	SV2210V

40
30

Application: T-nut for swiveling into the groove. Fits into the t-slot at any point. For fixing of foot plates and any other accessories that require a fixing pitch of 40 mm x M 8 (20 mm x M 6 respectively) thread. Raised area fits into t-slot to stop twisting.

SV2202V: bore hole distance: 40 mm
thread: M 8

SV2210V: bore hole distance: 20 mm
thread: M 6


SV2202V

SV2210V

Material: steel, zinc-plated