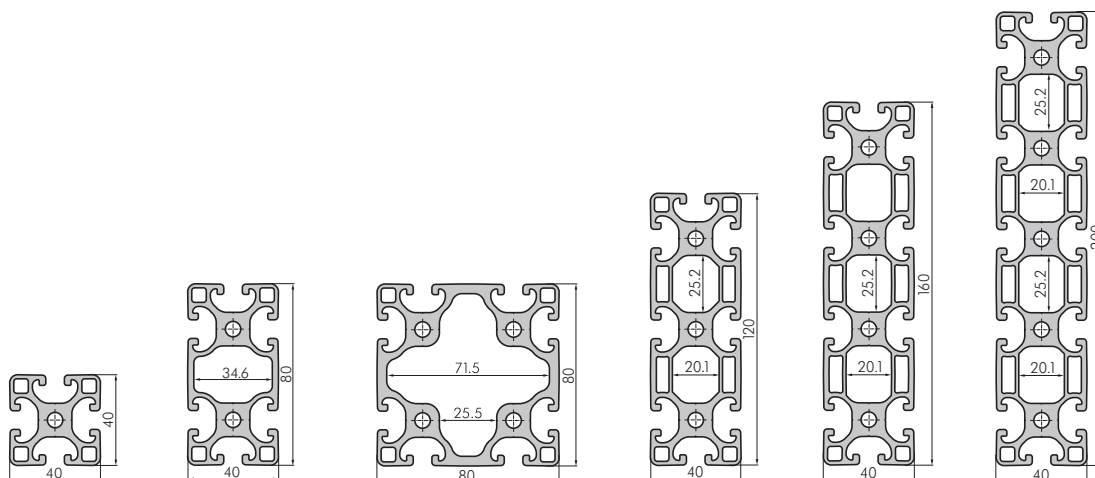
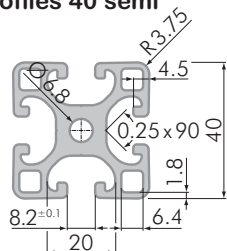
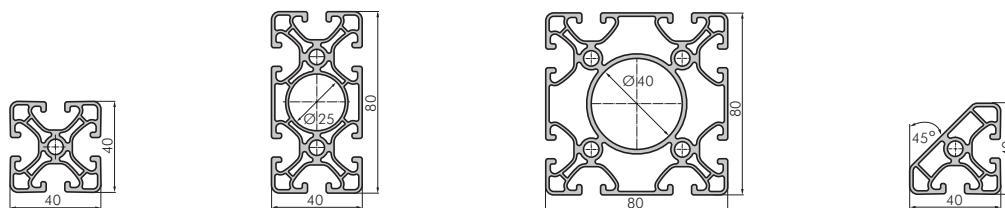
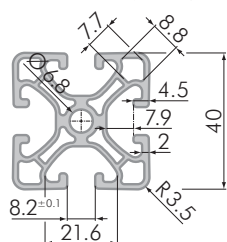


Profiles 40 semi



Technical Data	40 x 40 semi	40 x 80 semi	80 x 80 semi	40 x 120 semi	40 x 160 semi	40 x 200 semi
I_x [cm ⁴]	9.17	69.49	134.28	222.70	520.54	970.93
I_y [cm ⁴]	9.17	17.43	134.28	26.14	35.67	43.03
W_x [cm ³]	4.59	17.37	33.57	37.12	65.07	97.09
W_y [cm ³]	4.59	8.72	33.57	13.07	17.84	21.52
A [cm ²]	6.44	11.18	19.37	16.74	22.82	26.98
G [kg/m]	1.75	3.03	5.25	4.52	6.16	7.31
part number (natural)	SP5050N	SP5250N	SP5450N	SP4450N	SP4650N	SP5350N
per m charge (natural)	SP5051N	SP5251N	SP5451N	SP4451N	SP4651N	SP5351N
part number (black)	SP5050S	SP5250S				
per m charge (black)	SP5051S	SP5251S				
cutting charge	SB1001	SB1001	SB1002	SB1002	SB1003	SB1003

Profiles 40 superlight



Technical Data	40 x 40 superlight	40 x 80 superlight	80 x 80 superlight	40 x 40 egde superlight
I_x [cm ⁴]	7.96	56.96	95.10	5.22
I_y [cm ⁴]	7.96	15.02	95.10	5.22
W_x [cm ³]	3.98	14.24	23.78	2.24
W_y [cm ³]	3.98	7.51	23.78	2.24
A [cm ²]	5.14	9.16	13.93	3.88
G [kg/m]	1.39	2.48	3.78	1.05
part number	SP5600N	SP5700N	SP5800N	SP5670N
per m charge	SP5601N	SP5701N	SP5801N	SP5671N
cutting charge	SB1001	SB1001	SB1002	SB1001