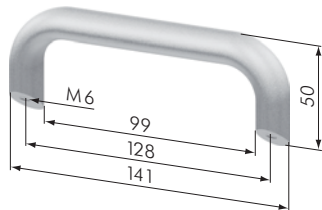
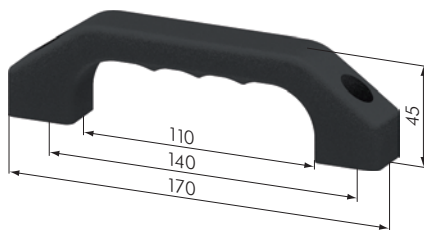


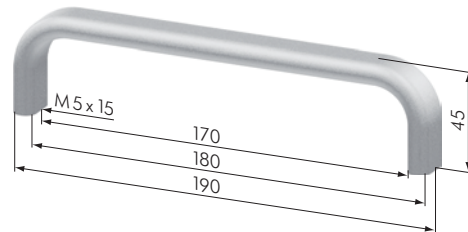
**SZ0840N**



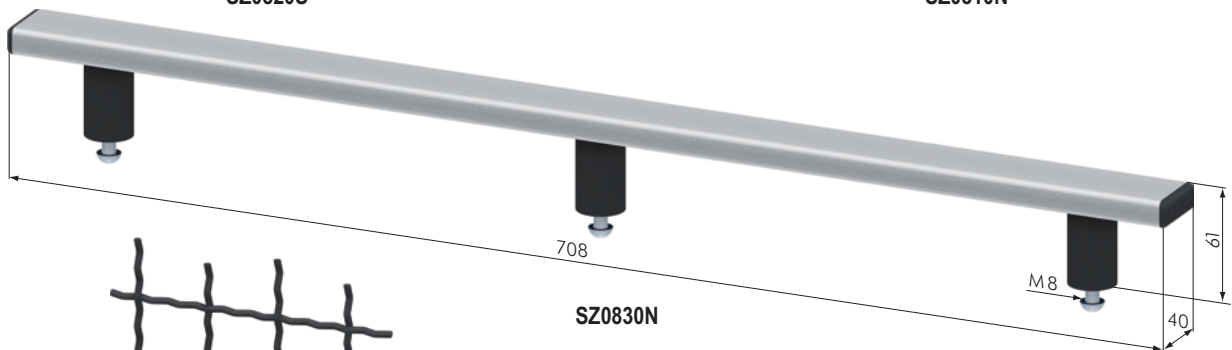
**SZ0850N**



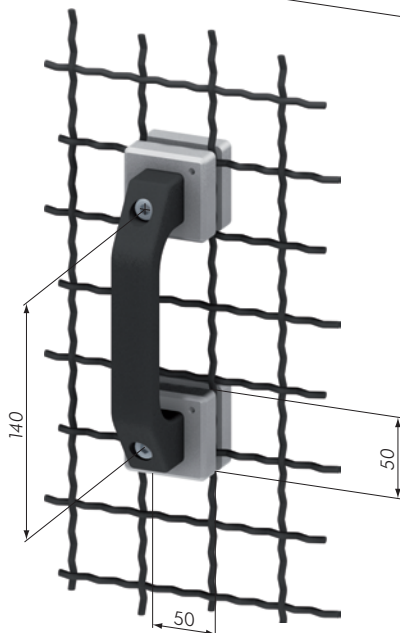
**SZ0820S**



**SZ0810N**



**SZ0830N**



**SZ8015N**

40  
30  
20

Handles		
Part No	Description	Weight
SZ0840N	Handle Al/L 147, natural	166 g
SZ0840S	Handle Al/L 147, black	166 g
SZ0850N	Handle Al 55°, natural	115 g
SZ0850S	Handle Al 55°, black	115 g
SZ0860S	Handle Al 145 mm, black	
SZ0830N	Handle Al/L 700	1,100 g
SZ0820S	Handle PA	122 g
SZ0810N	Handle light	100 g

**Application:** Multi-purpose, e.g. for doors and drawers.

**Material:** (see description)  
 Handle Al: aluminum, natural or black anodized  
 Handle light: aluminum, natural anodized  
 Handle PA: ABS

40

Protection Wall Handle		
Part No	Description	Weight
SZ8015N	Protection Wall Handle	532 g

**Application:** Handle for fixing to wire mesh panels.

**Material:** Handle: PA, black  
 fixing plates: aluminum, natural anodized

**Supply:** 1x SZ0820S handle PA  
 2x fixing plate I, handle  
 2x fixing plate II, handle  
 2x cap head screw M 8 x 30  
 4x cap head screw M 5 x 30