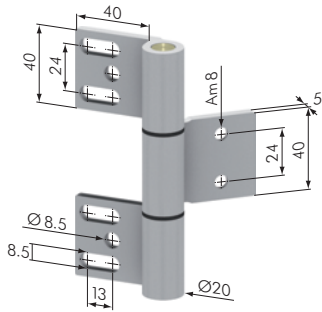
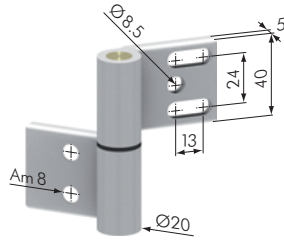


40



SZ8013N



SZ8012N

Hinges Al		
Part N°	Description	Weight
SZ8012N	Hinge Al, with 12 mm bolt, 2-parts	36 g
SZ8013N	Hinge Al, with 12 mm bolt, 3-parts	54 g

**Application:** A medium to heavy load hinge for machines and protective guardings. Gap adjustment: 5 - 13 mm

**Material:** aluminum, natural anodized

