

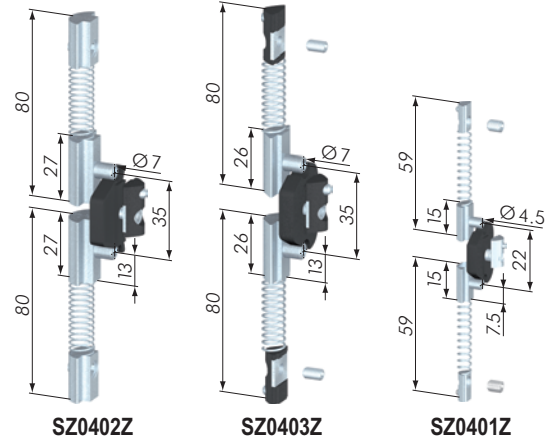
**Spring Door Catches**

Part No	Description	Width	Weight
SZ0402Z	Spring Door Catch 40	9 mm	73 g
SZ0403Z	Spring Door Catch 30	9 mm	50 g
SZ0401Z	Spring Door Catch 20	6.5 mm	16.1 g

**Application:** Catch for swing doors.



40  
30  
20


**Safety Interlocks**

Part No	Description	Weight
SZ0510S	Safety Interlock, with one contact	260 g
SZ0512S	Safety Interlock, with two contacts	260 g

**Application:** For electronic monitoring of doors. Can be mounted on the left or right side. The closing force amounts to 15 N, the holding force 5 N.

**Supply:** Complete with fixing set.

40

