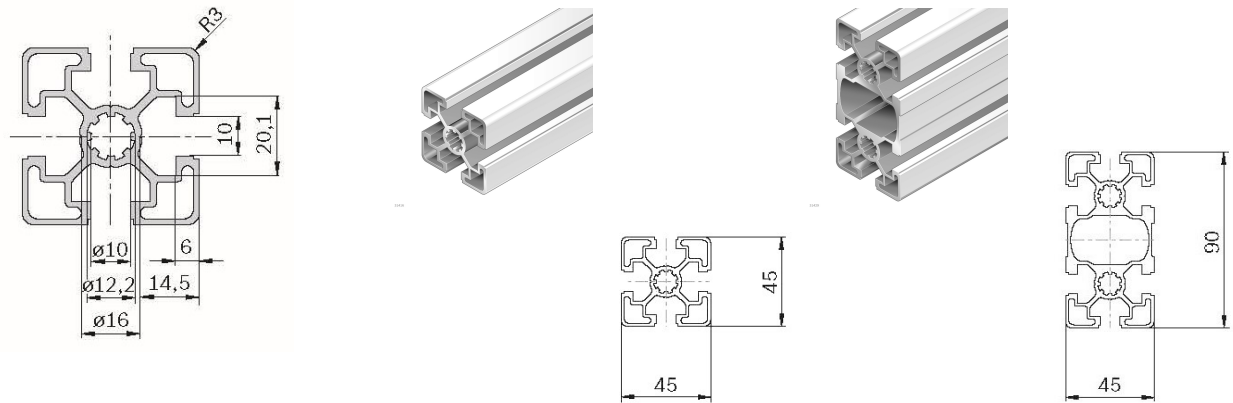


Aluminum T-Slot Framing Profile - 45mm



Description	Part #	Inertia Moment		Resistive Moment		X-sectional Area A	Weight per Meter G
		I _x (cm ⁴)	I _y (cm ⁴)	W _x (cm ⁴)	W _y (cm ⁴)		
45 x 45 Semi-Lite	SP9830N	11.70	11.70	5.20	5.20	6.00	1.60
45 x 90 Semi-Lite	SP9840N	82.00	23.60	18.20	10.50	11.30	3.00

The Paletti 45mm aluminum frame profiles are designed with a 10mm T-Slot and are compatible with industry 45mm design standards, un-blemished, straight, and particularly torsion-resistant. Paletti's aluminum profile framing systems were developed as a modular profile system to meet common mechanical and automation engineering requirements. All installed framing elements are reusable, protected with an anodized layer against environmental influences such as moisture, air and light, and thus sustainable in their use. This profile offering is unique to the Paletti USA division.

Our engineering team routinely analyzes designs for stress and vibrations, and so will complete the design with the best combination of framings sizes and weights to achieve the best value combination of design performance and price. As a result Paletti is able to offer "best-in-class" aluminum framing solutions which are truly un-rivaled.

Consider these product advantages:

- ◆ First class product quality – along with the industry's largest selection of framing profiles
- ◆ Superior customer service and engineering support
- ◆ Competitive pricing

Also, ask about these common accessories:

- ◆ 45 x 45 Cap Cover – black, 4mm thick – Part# US4503011
- ◆ 45 x 90 Cap Cover – black, 4mm thick – Part# US4503012
- ◆ T-Nut 10mm with M8 thread – Part# US4502088

We believe in being accessible, so contact us today to learn more!