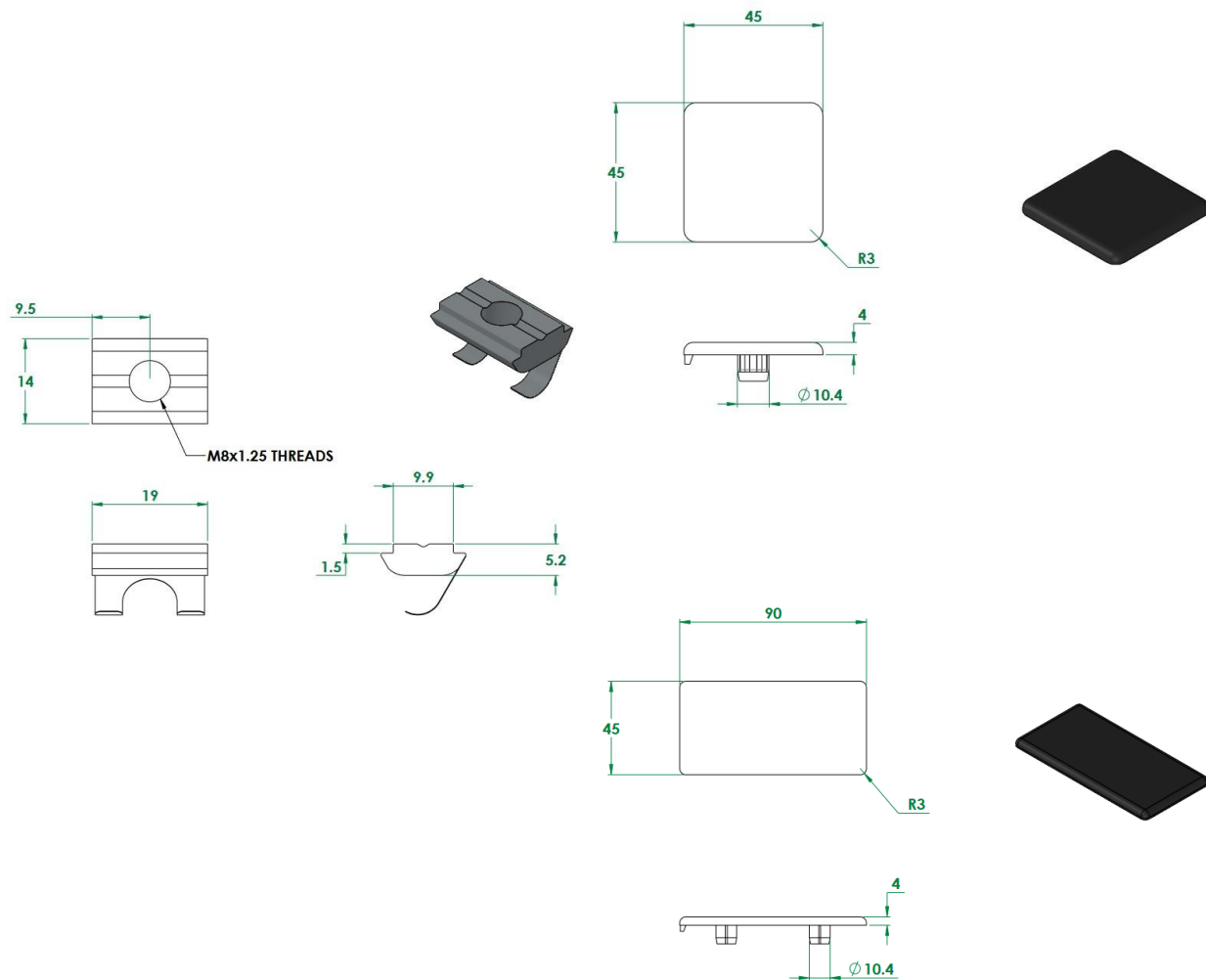


Aluminum T-Slot Framing Profile – Accessories / Hardware – 45mm

Paletti 45mm aluminum frame profiles are designed to work with these common accessory / hardware components. As always, our engineering team will analyze each design for stress and vibrations, and so will complete each design with the best combination of frame sizes and accessories to achieve the best value combination of design performance and price.

When inquiring, please reference the below part numbers:

- ◆ 45 x 45 Cap Cover – black, 4mm thick – Part# US4503011
- ◆ 45 x 90 Cap Cover – black, 4mm thick – Part# US4503012
- ◆ T-Nut 10mm with M8 thread – Part# US4502088



We believe in being accessible, so contact us today to learn more!