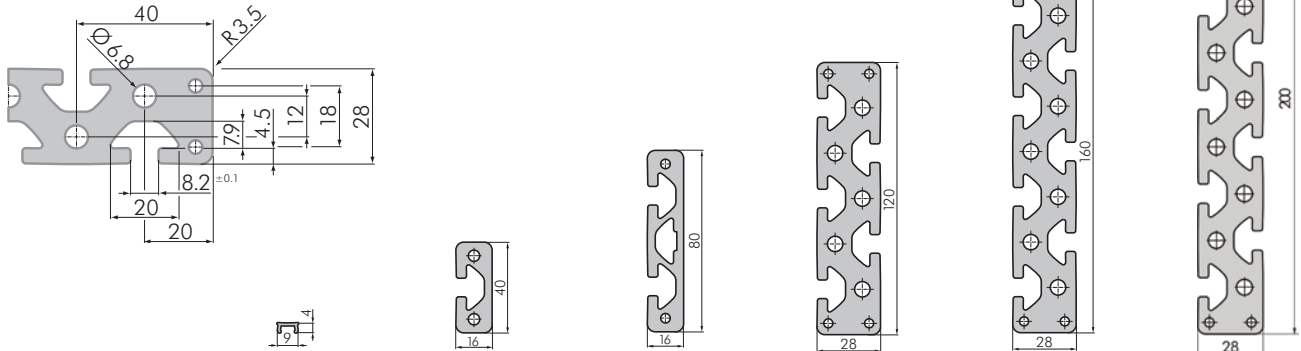
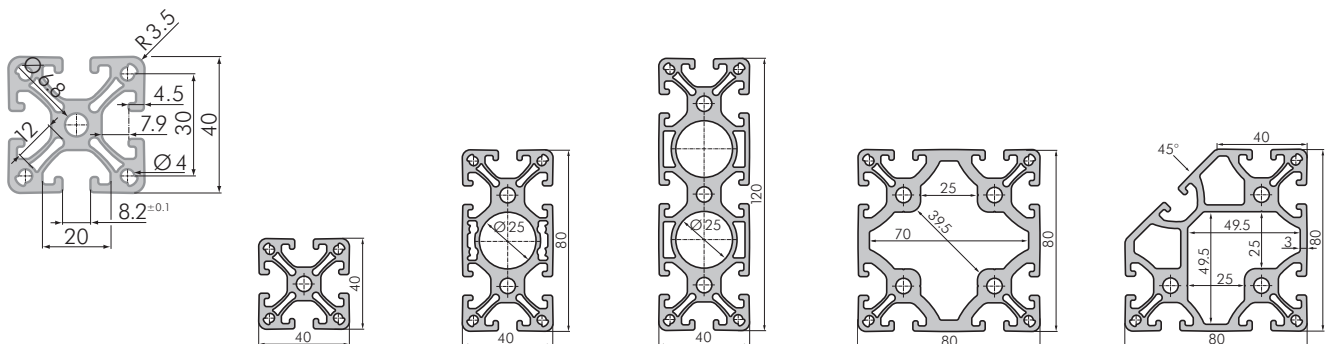


Profiles 40


Technical Data	Cover Profile 40	16 x 40	16 x 80	28 x 120	28 x 160	28 x 200
I_x [cm ⁴]	0.00	6.95	48.99	302.71	695.74	1327.48
I_y [cm ⁴]	0.01	1.08	2.17	15.31	20.25	25.01
W_x [cm ³]	0.01	3.48	12.25	50.45	86.97	93.05
W_y [cm ³]	0.02	1.27	2.55	10.63	14.16	2.5
A [cm ²]	0.11	4.26	7.82	23.10	30.36	37.37
G [kg/m]	0.03	1.15	2.12	6.26	8.23	9.94
part number (natural)	SP7900N	SP3000N	SP3100N	SP3300N	SP3400N	SP3450N
per m charge (natural)	SP7901N	SP3001N	SP3101N	SP3301N	SP3401N	SP3451N
part number (black)	SP7900S	SP3000S				
per m charge (black)	SP7901S	SP3001S				
cutting charge	SB1001	SB1001	SB1001	SB1002	SB1002	SB1003

Profiles 40 double bridge


Technical Data	40 x 40 double bridge	40 x 80 double bridge	40 x 120 double bridge	80 x 80 double bridge	80 x 80 7N double bridge
I_x [cm ⁴]	10.16	73.74	234.92	146.92	108.12
I_y [cm ⁴]	10.16	19.88	28.94	146.92	108.12
W_x [cm ³]	5.08	18.44	39.15	36.73	24.74
W_y [cm ³]	5.08	9.94	14.47	36.73	24.74
A [cm ²]	6.54	12.64	18.03	21.56	17.88
G [kg/m]	1.77	3.43	4.89	5.84	4.85
part number	SP5100N	SP5300N	SP5220N	SP5500N	SP5470N
per m charge	SP5101N	SP5301N	SP5221N	SP5501N	SP5471N
cutting charge	SB1001	SB1001	SB1002	SB1002	SB1002