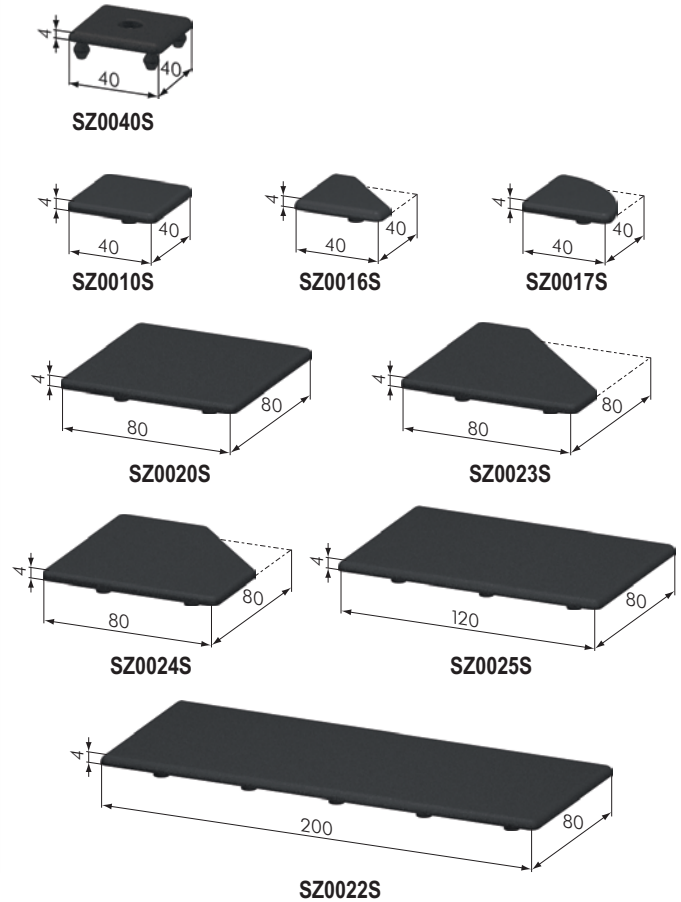


Profile Caps 40

Part №	Part №	Description	Weight
black:	grey:		
SZ0030S	SZ0030G	Profile Cap 16 x 40	2 g
SZ0031S	-	Profile Cap 16 x 80	5 g
SZ0018S	-	Profile Cap 20 x 120	9 g
SZ0019S	-	Profile Cap 20 x 240	18 g
SZ0042S	-	Profile Cap 28 x 120	12 g
SZ0043S	-	Profile Cap 28 x 160	17 g
SZ0010S	SZ0010G	Profile Cap 40 x 40	5 g
SZ0016S	-	Profile Cap 40 x 40 45°	4 g
SZ0017S	-	Profile Cap 40 x 40 R 90	3 g
SZ0011S	SZ0011G	Profile Cap 40 x 80	8 g
SZ0012S	-	Profile Cap 40 x 120	13 g
SZ0013S	-	Profile Cap 40 x 160	21 g
SZ0014S	-	Profile Cap 40 x 200	33 g
SZ0020S	SZ0020G	Profile Cap 80 x 80	17 g
SZ0023S	-	Profile Cap 80 x 80 45°	15 g
SZ0025S	-	Profile Cap 80 x 120	21 g
SZ0021S	-	Profile Cap 80 x 160	34 g
SZ0022S	-	Profile Cap 80 x 200	44 g
SZ0024S	-	Profile Cap 80 x 80 7N 45°	13 g
SZ0100S	-	Profile Cap 120 x 120	29 g
SZ0026S	SZ0026G	Profile Cap R 40 / 80 30°	4 g
SZ0027S	SZ0027G	Profile Cap R 40 / 80 45°	6 g
SZ0028S	SZ0028G	Profile Cap R 40 / 80 60°	7 g
SZ0029S	SZ0029G	Profile Cap R 40 / 80 90°	11 g
SZ0060S	-	Handrail Profile Cap	6 g
SZ0040S	SZ0040G	Profile Cap 40 x 40 D10	5 g

40

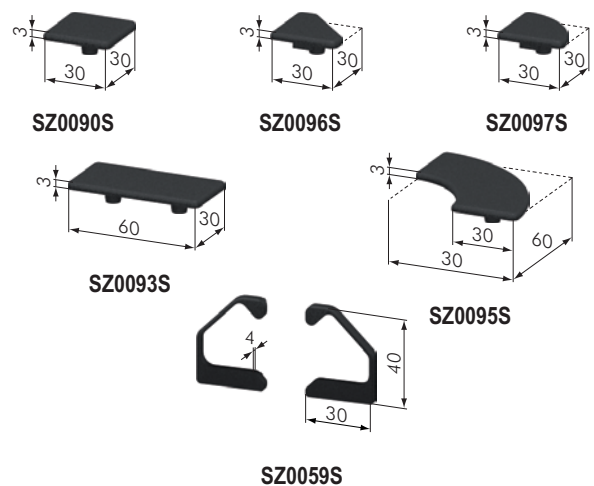


Application: Profile Caps for the profile ranges 40 standard, semi, double bridge, light and superlight.

Profile Caps 30

Part №	Description	Weight
SZ0090S	Profile Cap 30 x 30 midi	2.3 g
SZ0096S	Profile Cap 30 x 30 45° midi	1.8 g
SZ0097S	Profile Cap 30 x 30 R 90 midi	2.0 g
SZ0093S	Profile Cap 30 x 60 midi	5.5 g
SZ0091S	Profile Cap R 30 / 60 30° midi	2.3 g
SZ0092S	Profile Cap R 30 / 60 45° midi	2.5 g
SZ0094S	Profile Cap R 30 / 60 60° midi	2.8 g
SZ0095S	Profile Cap R 30 / 60 90° midi	3.4 g
SZ0059S	Profile Cap Set for handle strip profile 30 x 40	5 g
SZ0089S	Profile Cap 13 x 30 midi	16 g

30



Application: Profile Caps for the profile range 30.