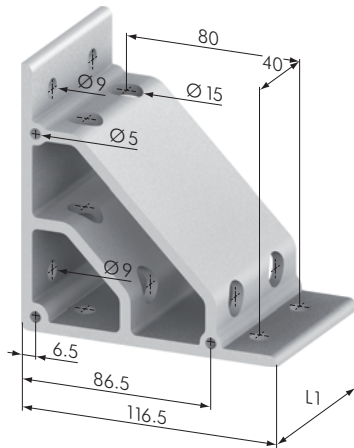


40



SZ6501N

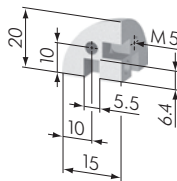
| Angles 120 x 120 |                       |                |    |        |
|------------------|-----------------------|----------------|----|--------|
| Part №           | Description           | L <sub>1</sub> | n  | Weight |
| SZ6500N          | Angle 120 x 120 x 40  |                | 4  | 210 g  |
| SZ6501N          | Angle 120 x 120 x 80  |                | 8  | 424 g  |
| SZ6502N          | Angle 120 x 120 x 120 |                | 12 | 636 g  |
| SZ6503N          | Angle 120 x 120 x 160 |                | 16 | 850 g  |
| SZ6504N          | Angle 120 x 120 x 200 |                | 20 | 1053 g |

**Application:** For right-angled fixing of profiles.

n = number of fixing holes

**Material:** aluminum, natural anodized

40  
30  
20

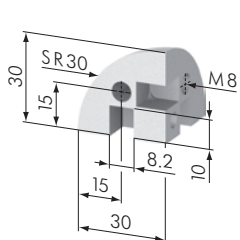


SZ5060N

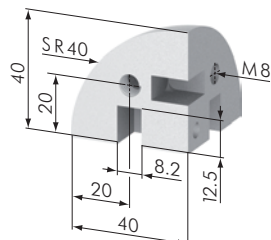
| Round Corners |                 |        |
|---------------|-----------------|--------|
| Part №        | Description     | Weight |
| SZ5045N       | Round Corner 80 | 584 g  |
| SZ5050N       | Round Corner 40 | 74 g   |
| SZ5055N       | Round Corner 30 | 26 g   |
| SZ5060N       | Round Corner 20 | 8 g    |

**Application:** For right-angled fixing of round profiles.

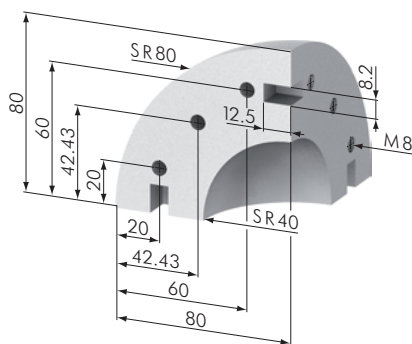
**Material:** aluminum, natural anodized



SZ5055N



SZ5050N



SZ5045N

