



Laser Enclosures

- for 4 kW Nd-YAG lasers
 - 4 kW disc lasers
 - 6 kW disc lasers
 - up to the focal distance (operating point)
 - according to: DIN EN 60825 "Laser Equipment"
 - DIN EN ISO 11553-1:2005
 - "Laser Machining"
- free standing laser enclosures
(no additional structural members required)
- self-supporting lengths up to 12 m
- laser enclosure height up to 7,5 m
- enclosure length and width unlimited
- engineered, multi-layer labyrinth system
- innovative design
- double wall structure
- four-wall construction for applications in focal range
- multiple beam systems can be combined within a wall
- corner angles can be infinitely positioned
- standard t-nuts facilitate simple installation of additional components
- fast-moving roll-up, horizontal / vertical rolling and sliding process doors
- automatic part insertion options without disengaging laser
- laser safe exhaust vents
- specially designed hose, pipe and cable entry systems
- patent-protected worldwide

We supply Laser Enclosures for:

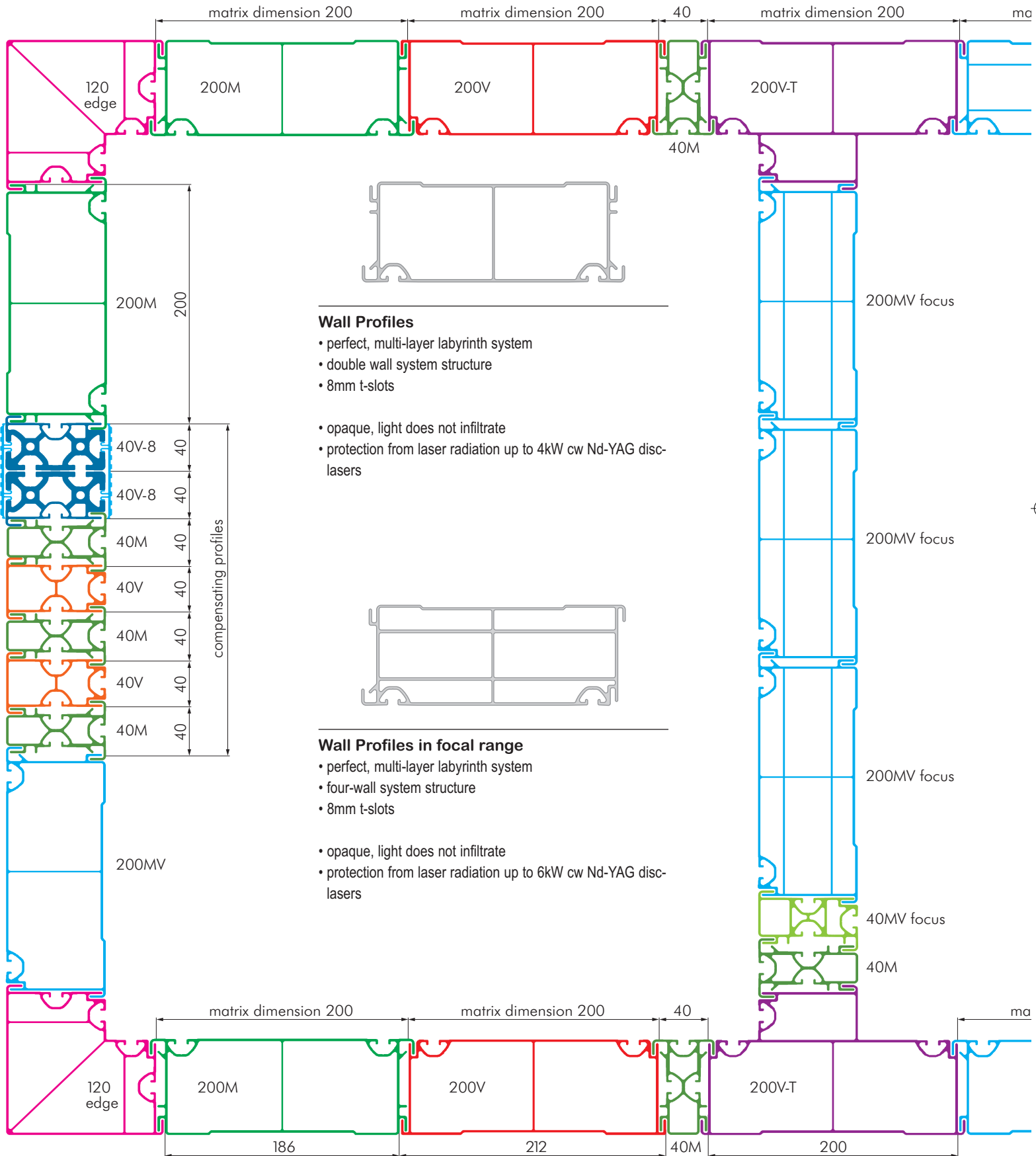
- Daimler AG
- Volkswagen AG
- General Motors Corporation
- Ford Motor Company
- Benteler AG
- and others

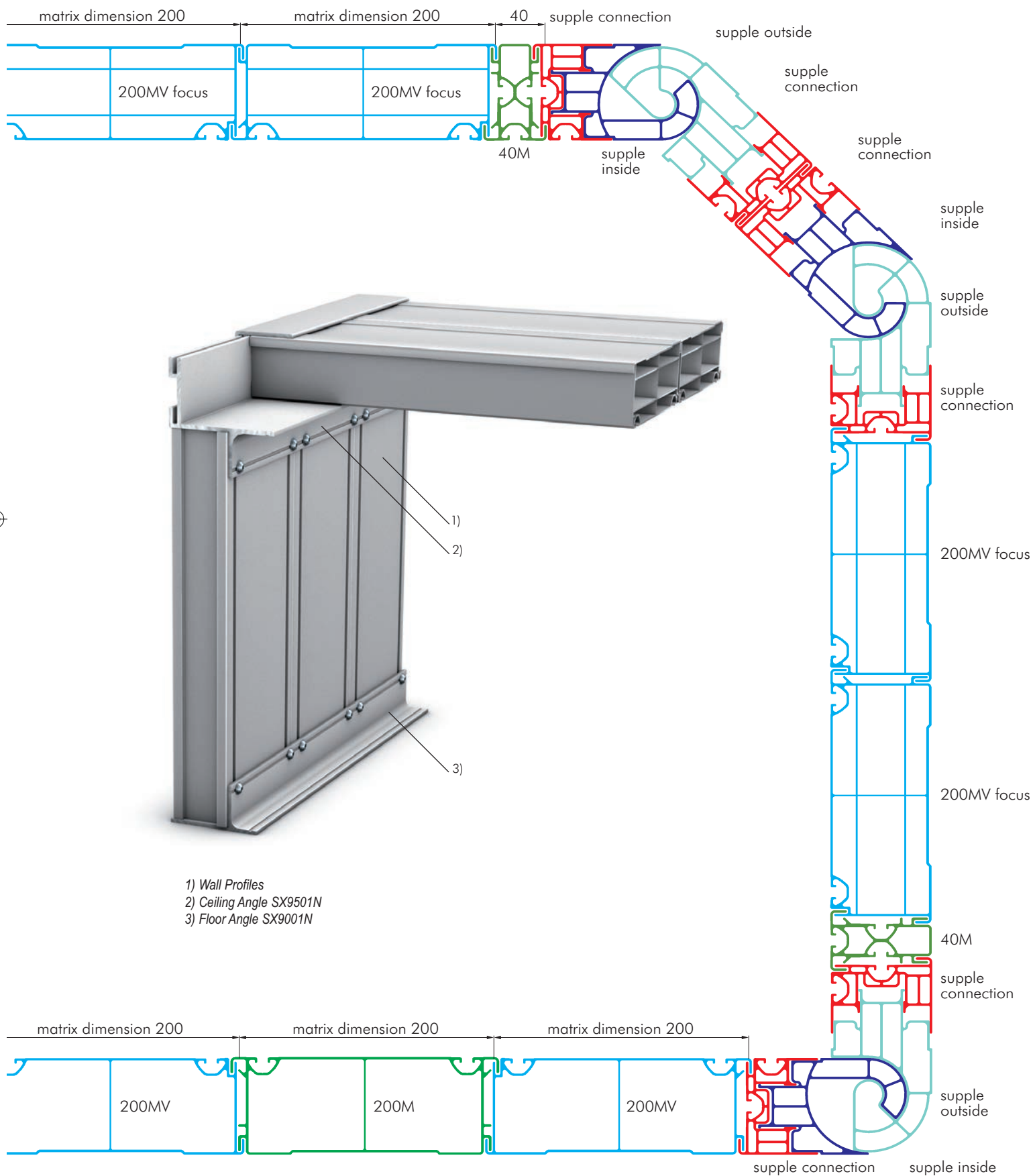
worldwide:

- Germany
- Spain
- Portugal
- Slovakia
- Czech Republic
- Poland
- Mexico
- USA
- Argentina
- Brazil
- South Africa
- China



1 Laser Technology
2 System Structure



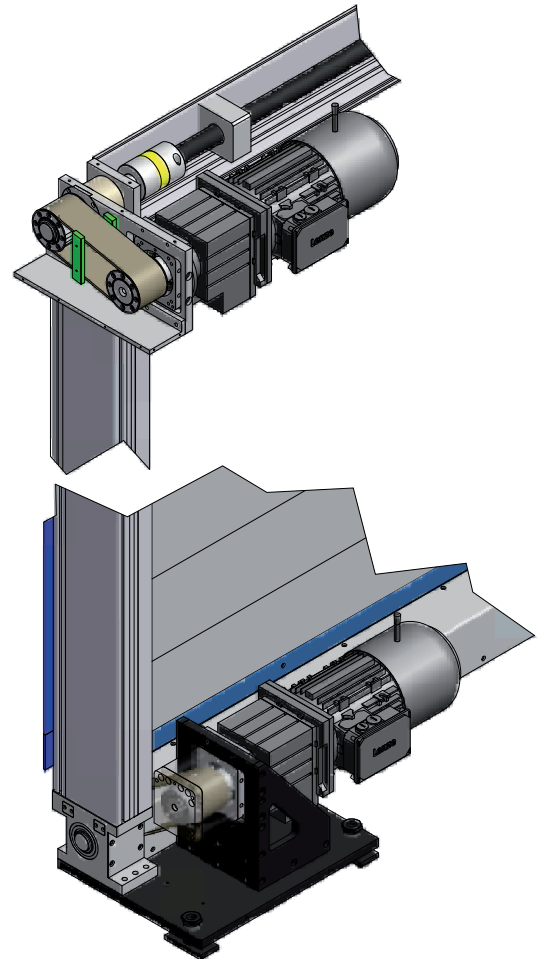




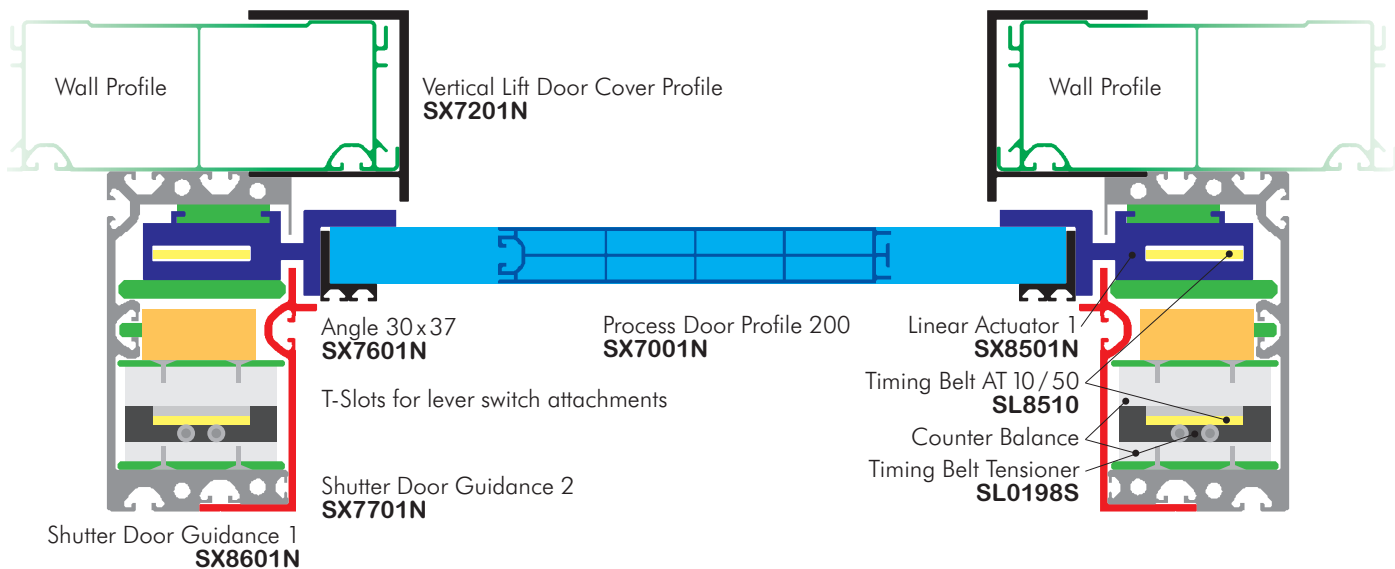
I Laser Technology
4 Fast-Moving Vertical Lift Door



SH2000N



Motor attachment on top or bottom as desired.



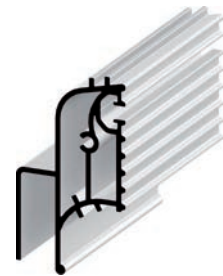




1 Laser Technology
6 Segment Door



Segment Door Profile 120 x 42.5



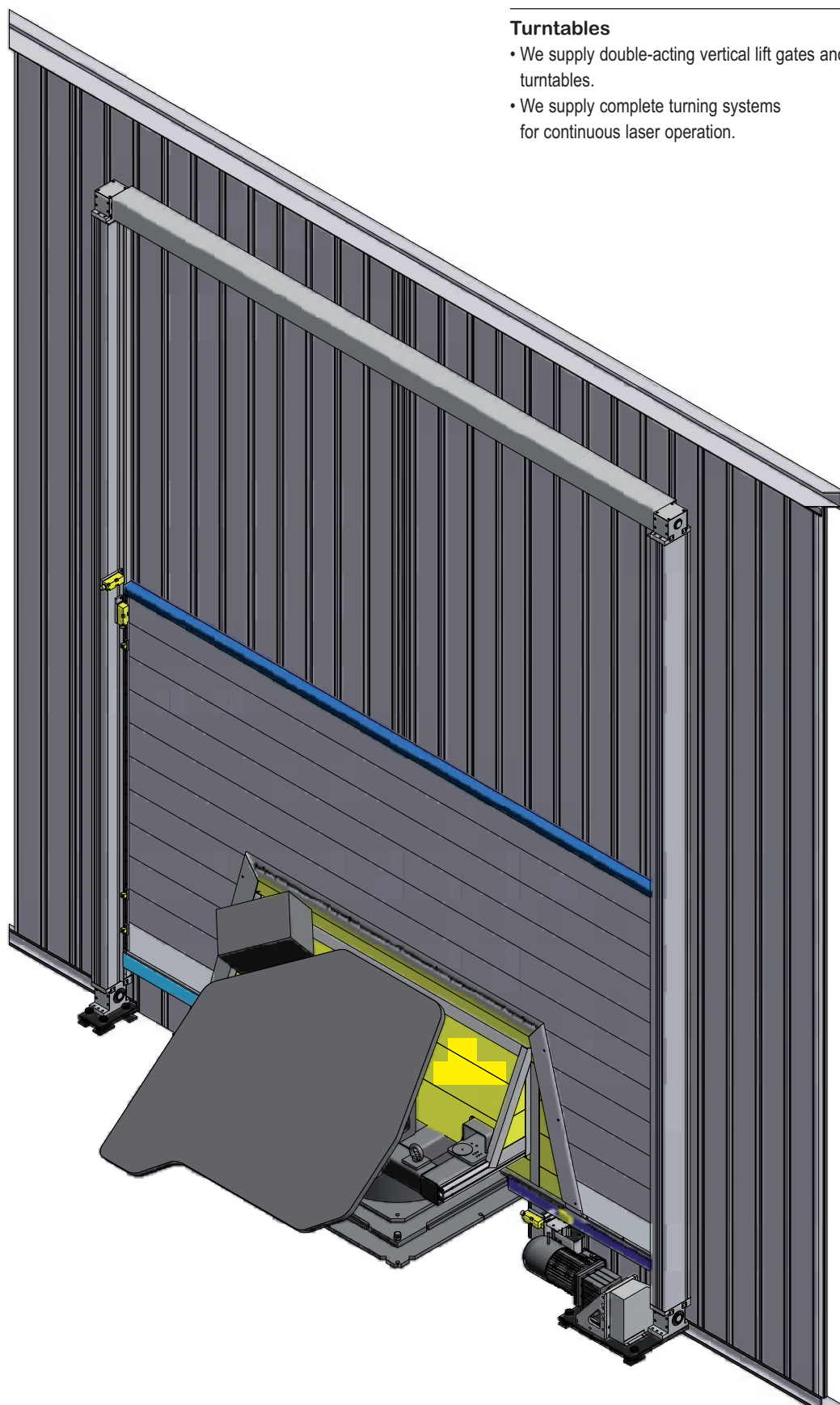
Segment Door Profile 120 x 66.5



Segment Door Profile 80 x 42.5



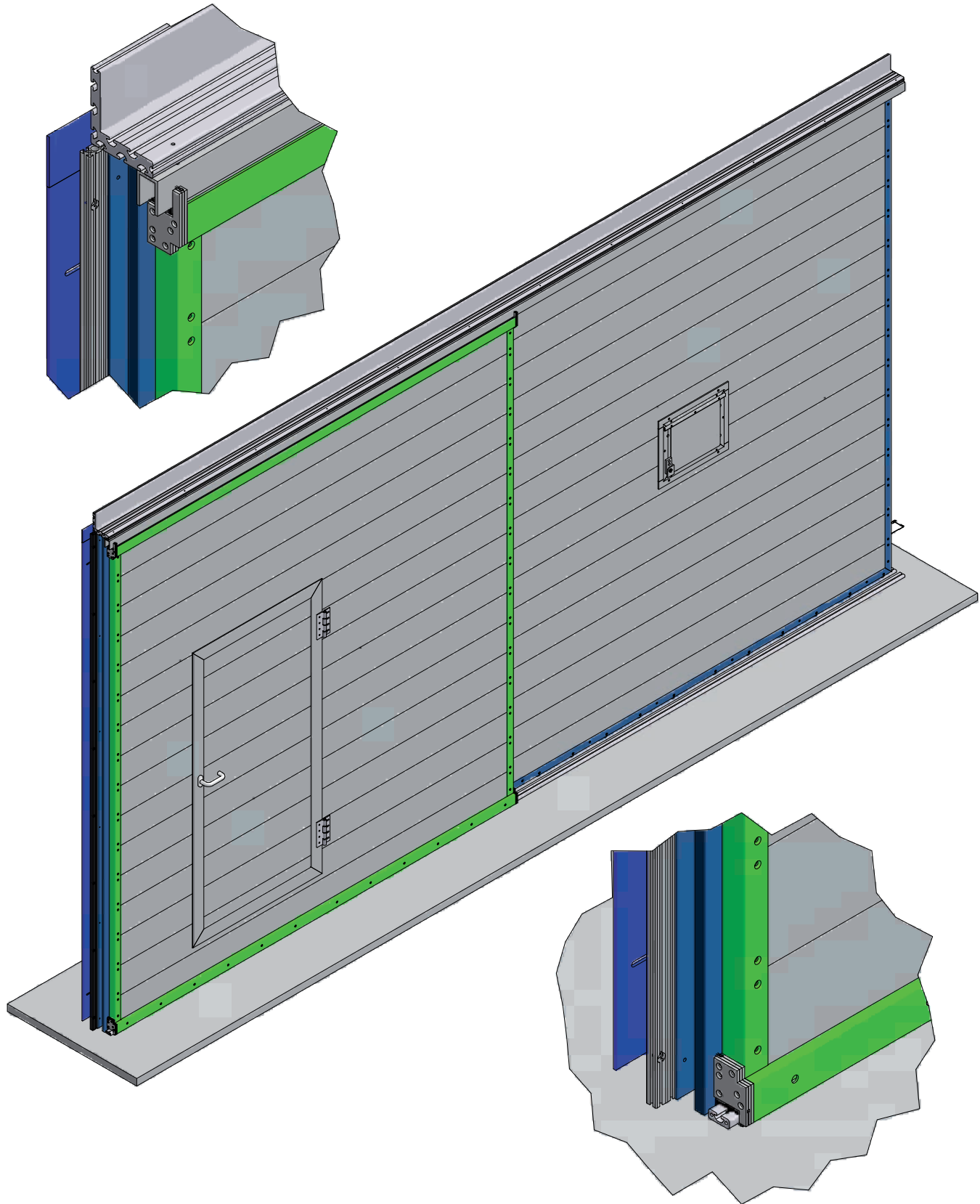
Timing Belt Clamp Profile

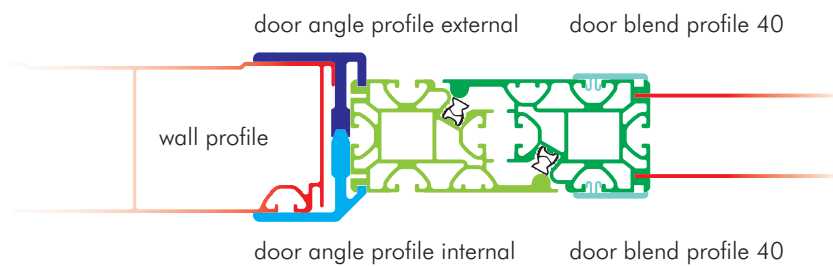
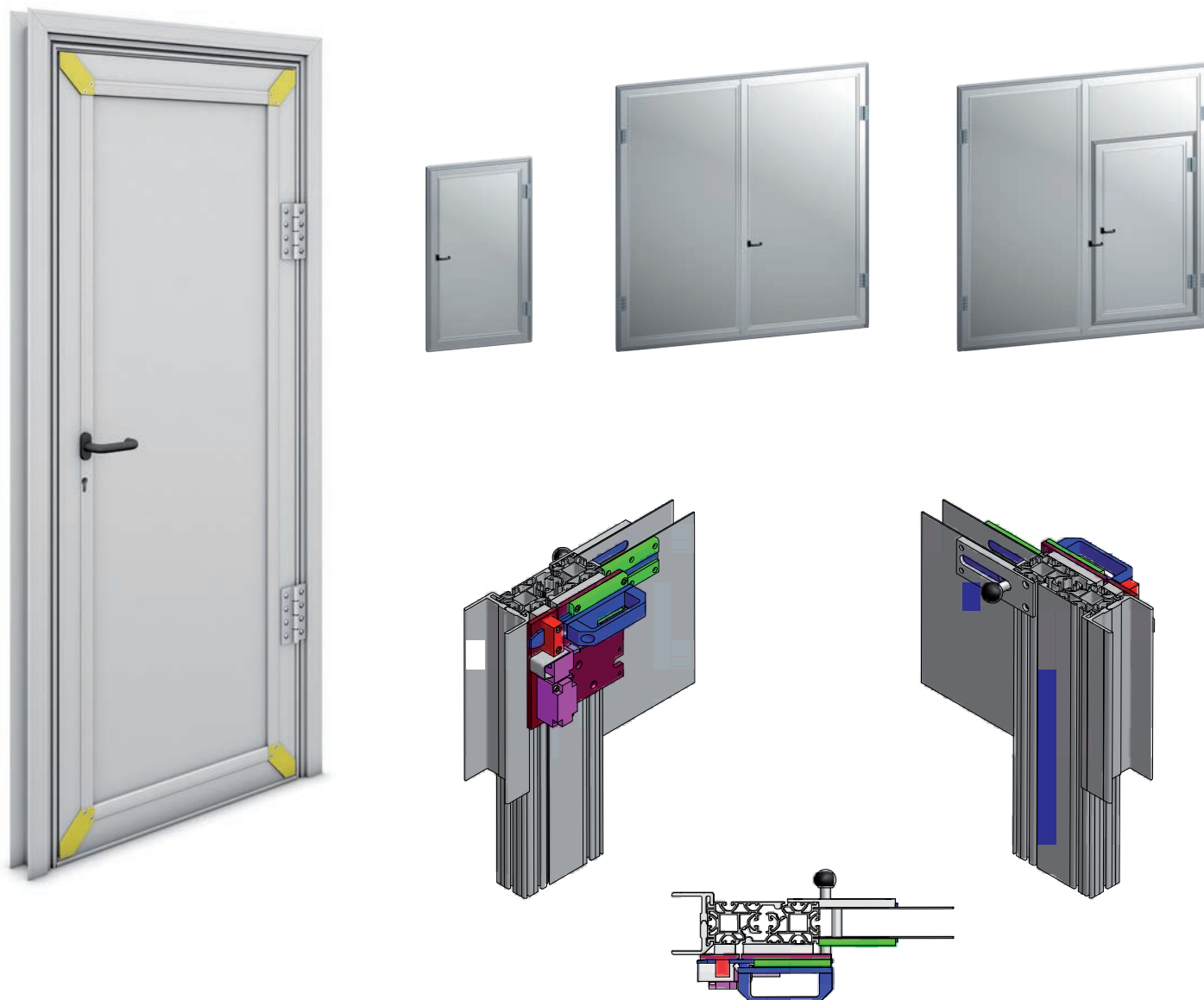
**Turntables**

- We supply double-acting vertical lift gates and encasements for turntables.
- We supply complete turning systems for continuous laser operation.



1 Laser Technology
8 Sliding Process Door with pedestrian door

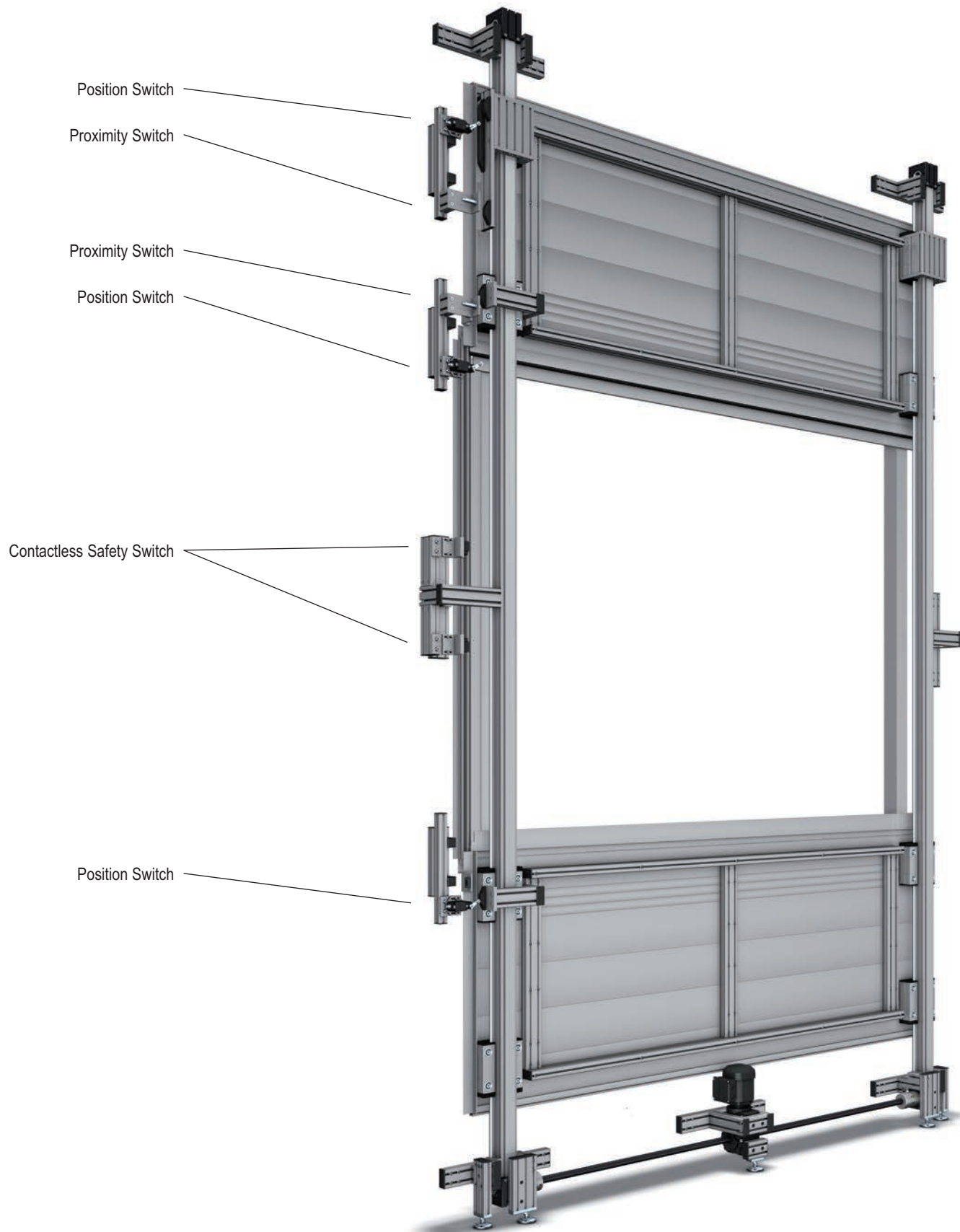




Scale 1:4 | Horizontal Drawing

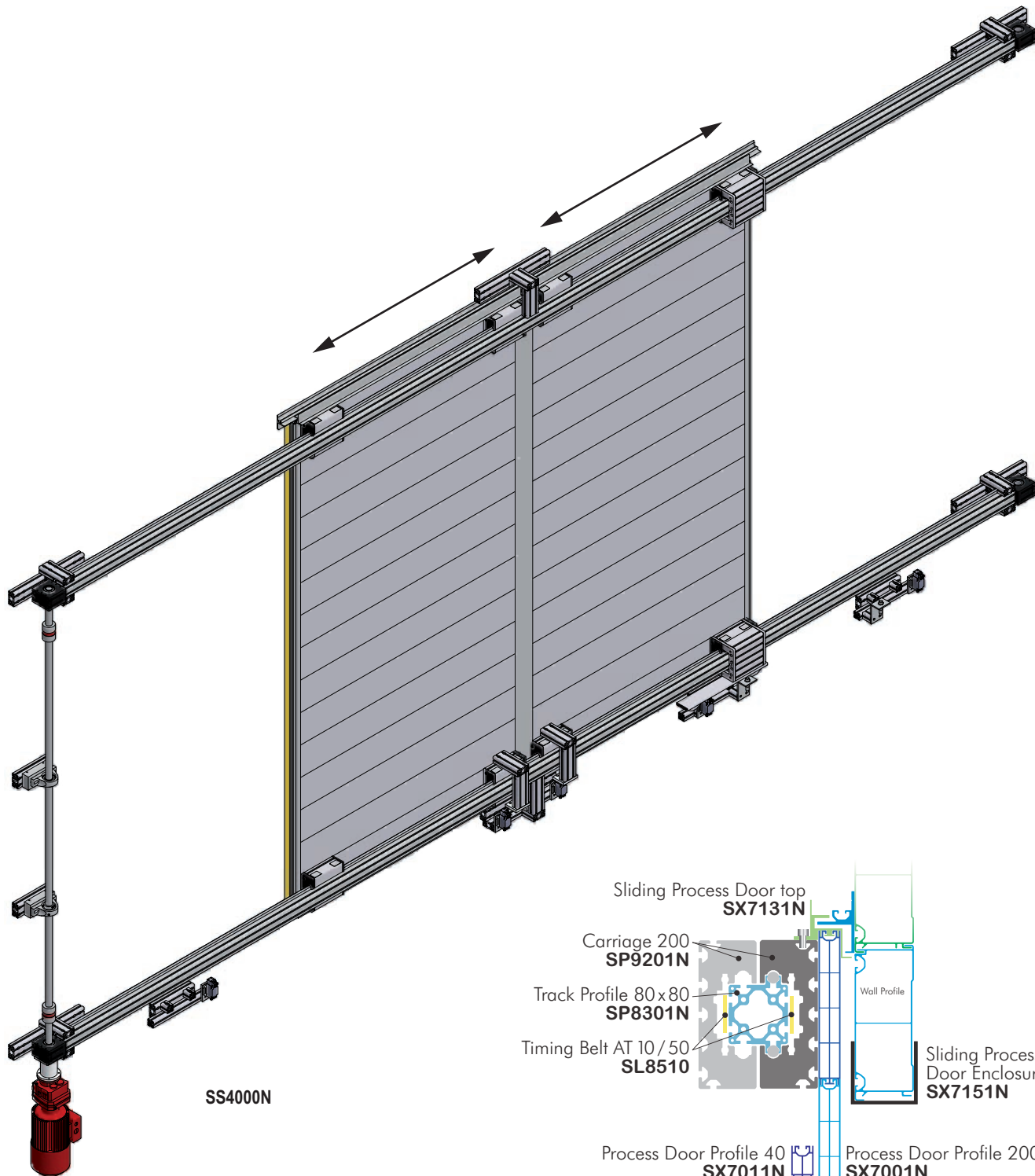


I Laser Technology
10 Vertical Lift Process Door

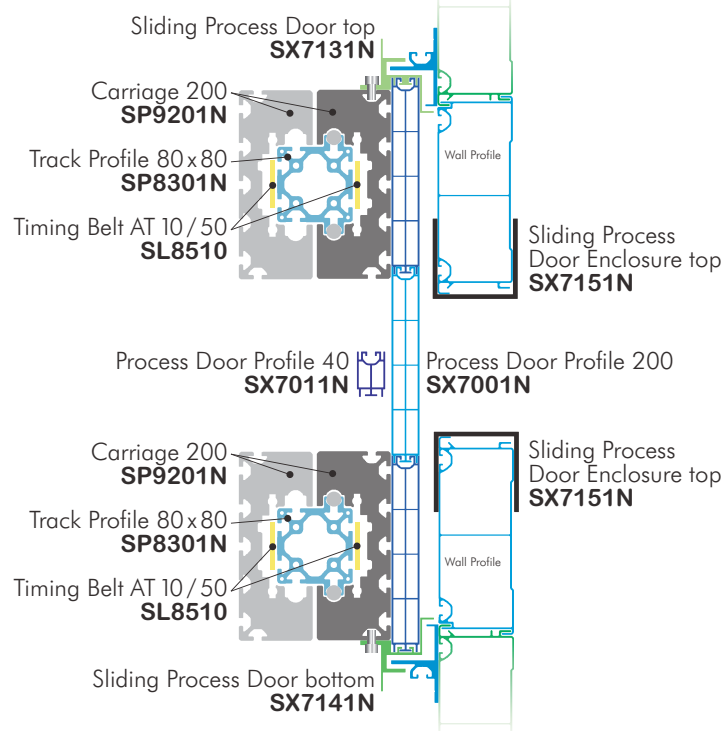


SH3000N



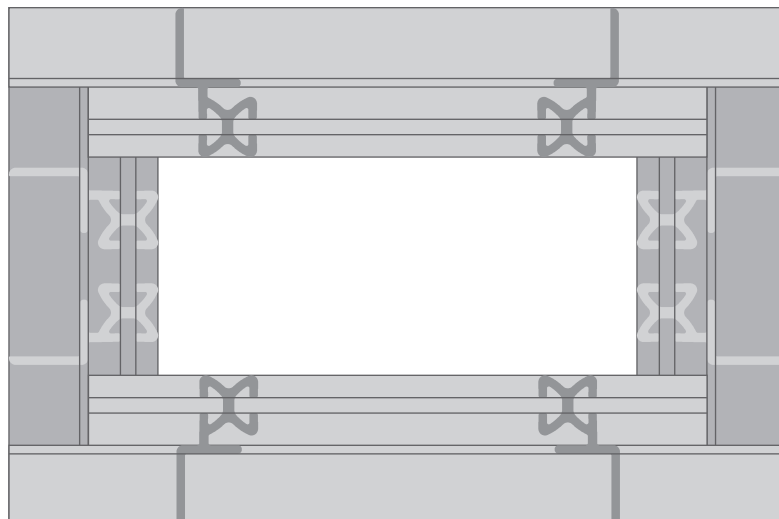
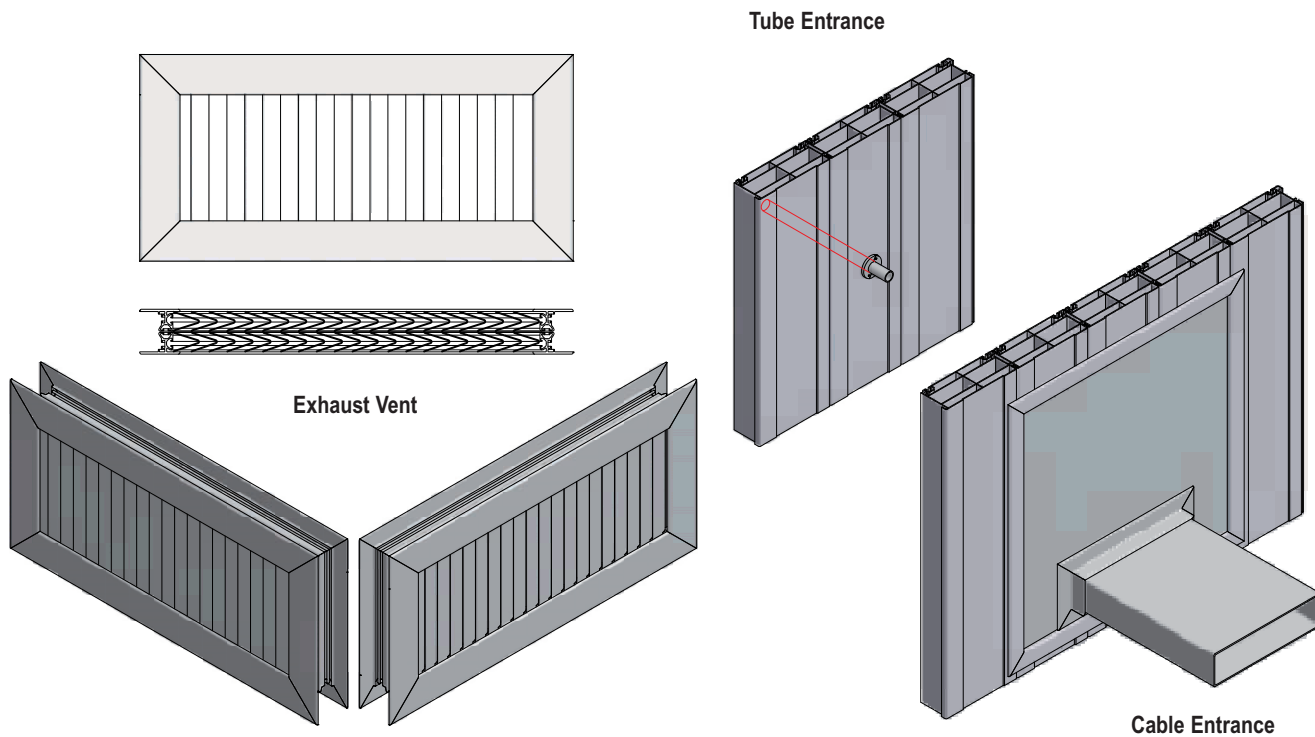


SS4000N





I Laser Technology
12 Exhaust Vents, Cable Entrance



Scale 1:4 | Vertical Drawing

