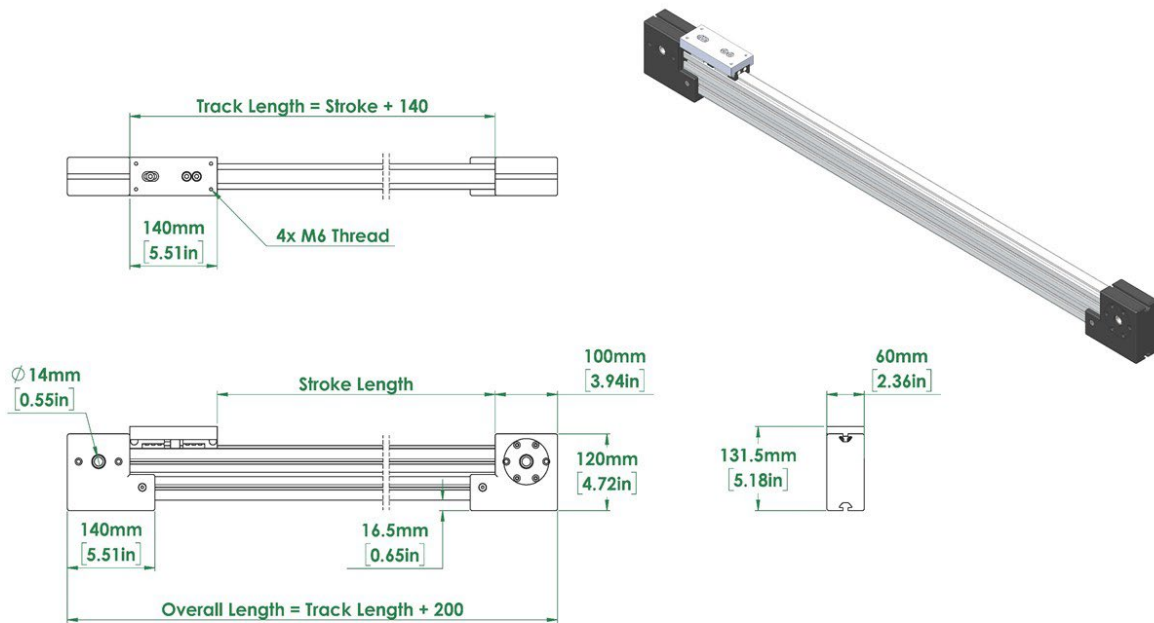


PALETTI

Linear Pusher Style Actuators – Belt Driven – 177 In-Lb. / 20 Nm Torque Rating



Model	Max Speed	Pulley Pitch Diameter (mm)	Pulley Torque (in-lb/Nm)	Belt Tensile Strength (Lb/N)	Elongation	Belt Weight (g/m)
NGSU20	3 m/s	47.75	177 / 20	675 / 300	.1% @ 2012 N	250

Please Note - the numbers in these drawings and tables represent performance parameters for our standard model. We can always customize a model more specifically to your application. Actual performance will vary pending motor/gearing selection. Also, please note there are no coordinates provided with these drawings because the pusher actuators are not designed to support a load.

Paletti pusher style actuators are commonly used in classic linear motion applications with a physical load structure supported with linear guides with the pusher being used rather than a screw system or cylinder as the drive component. Moreover, our pusher actuators are commonly used in applications with spatial concerns, performance issues, or cost considerations which can be common with screw systems or cylinders.

Consider these product advantages with Paletti pusher style actuators:

- ◆ Capable of high speeds
- ◆ Can be mounted and used in any orientation
- ◆ Can be mounted and used in dimensionally restricted spaces
- ◆ Economically viable options versus traditional actuators
- ◆ Are available in special long lengths
- ◆ Bottom rails and pulleys come with 8mm T-Slot mounting functionality
- ◆ Corrosion resistant component options

Since our pusher actuators, aluminum framing, and conveyors all use the same 8mm T-Slot, it is very easy for us to configure and/or build an entire system or machine base.

We believe in being accessible, so contact us today to learn more!