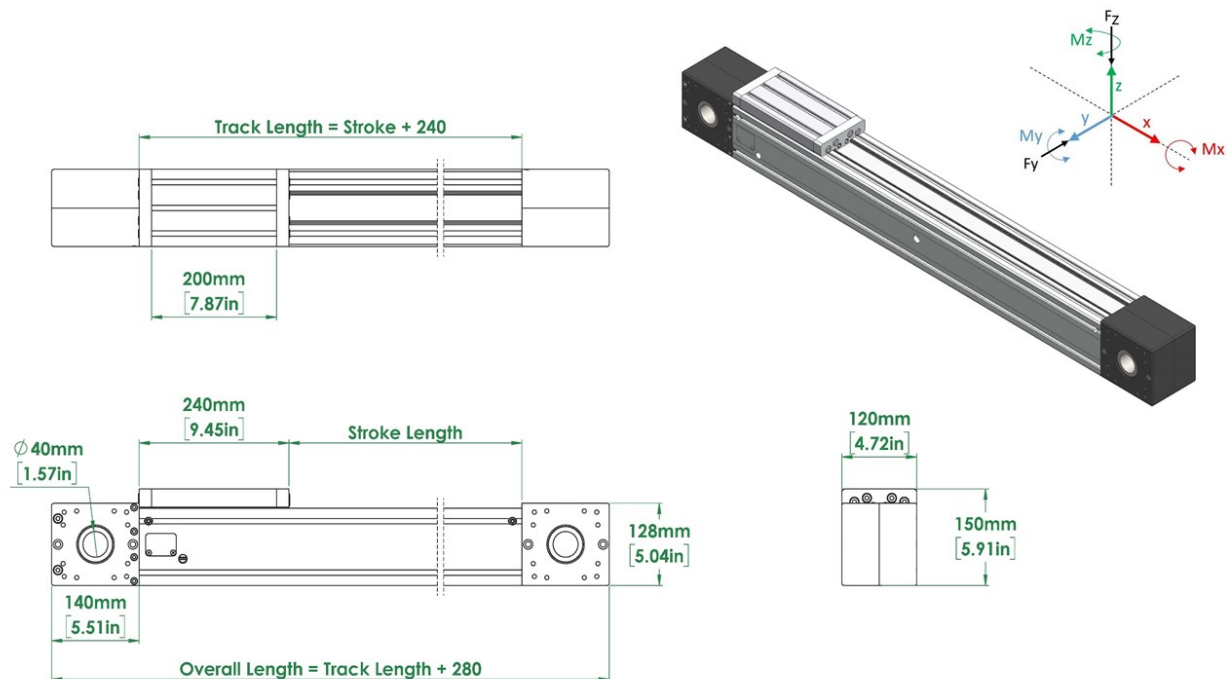


# PALETTI

## Linear Slide Actuators – Belt Driven – 1000 Lbs. Upright Carriage Configuration



Model	Max Dynamic Load (Lb/N)	Static Axial Load (Fz)(Lb/N)	Static Radial Load (Fy)(Lb/N)	Static Moment Load (Mz)(in-lb/Nm)	Static Moment Load (My)(in-lb/Nm)	Static Moment Load (Mx)(in-lb/Nm)
BTSU1000	1000 / 4448	2484 / 11050	1281 / 5700	8850 / 1000	10620 / 1200	3982 / 450
	Max Speed	Pulley Pitch Diameter (mm)	Pulley Torque (in-lb/Nm)	Belt Tensile Strength (Lb/N)	Elongation	Carriage Weight (kg)
	8 m/s	101.86	1062 / 120	1798 / 8000	.1% @ 2012 N	3.75

Please Note - the numbers in these drawings and tables represent performance parameters for our standard model. We can always customize a model more specifically to your application. Actual performance will vary pending motor/gearing selection.

When high speeds and long travel distances (20+feet) are required, Paletti toothed belt driven linear recirculating ball-slide actuator systems are ideally suited for your material handling and positioning tasks. Toothed belt driven linear systems are easy to incorporate into single or multi axis applications and offer long service life with minimal noise and maintenance.

The Upright carriage configuration is more commonly used than our other configurations. Some of these capacity models can be mounted and operated at any angle due to their unique guided design.

Some additional product advantages with Paletti belt driven slide actuators:

- ◆ AT10 tooth profile belts with easy tensioning and zero backlash
- ◆ Multiple belt material options – pending application needs
- ◆ End of carriage covers with lubrication ports and brushes to help keep the rails clean
- ◆ Easy to perform maintenance – without removal from the machine
- ◆ Single piece carriage and rail construction, with corrosion resistant component options

Since our actuators, aluminum framing, and conveyors all use the same 8mm T-Slot, it is very easy for us to configure and/or build an entire system or machine base.

**We believe in being accessible, so contact us today to learn more!**

# PALETTI

Tel. 267-289-0020

E-Mail: [sales@palettiusa.com](mailto:sales@palettiusa.com)

Web: [www.palettiusa.com](http://www.palettiusa.com)