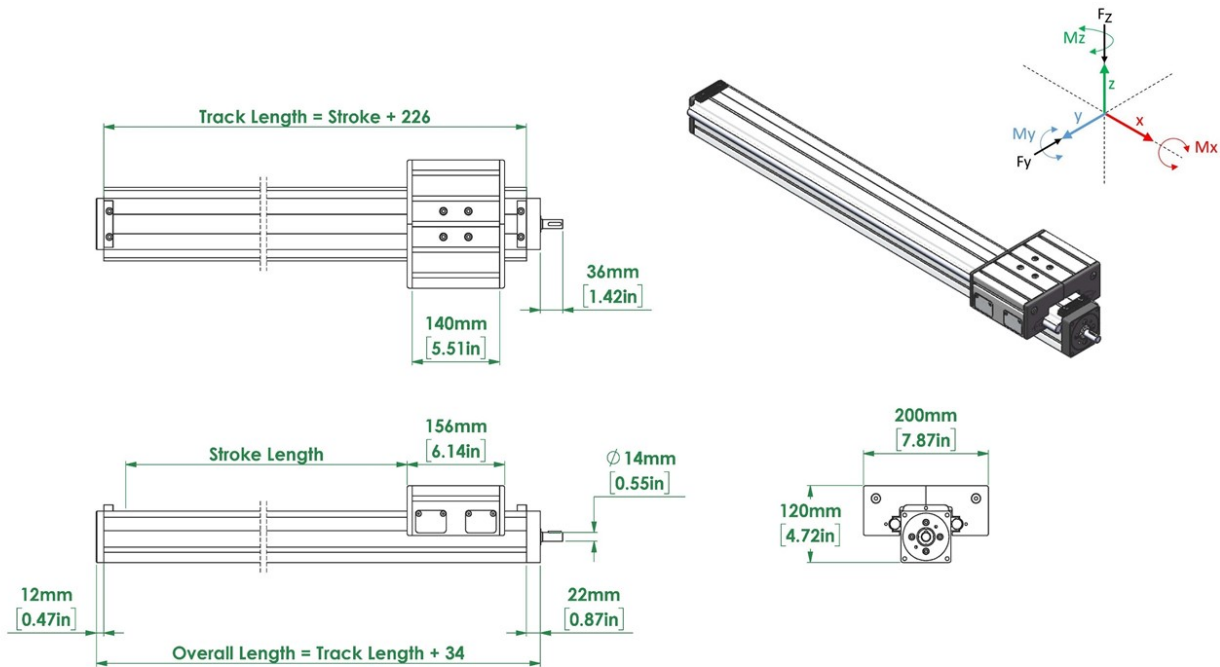


# PALETTI

## Linear Slide Actuators – Trapezoid Screw Driven – 250 Lbs. Upright Configuration



Model	Max Dynamic Load (Lb/N)	Static Axial Load (Fz)(Lb/N)	Static Radial Load (Fy)(Lb/N)	Static Moment Load (Mz)(in-lb/Nm)	Static Moment Load (My)(in-lb/Nm)	Static Moment Load (Mx)(in-lb/Nm)
TRRU250D	250 / 1112	450 / 2000	875 / 3900	1372 / 155	708 / 80	885 / 100
	Max Speed	Torque to Raise 1kN (in-lb/Nm)	Screw Diameter and Pitch (mm)	Screw and Nut Backlash (mm)	Movement Efficiency	Carriage Weight (kg)
	0.14 m/s - 5.5 in/s	16.11 / 1.82	20 x 4	0.240	35%	4.8

Please Note - the numbers in these drawings and tables represent performance parameters for our standard model. We can always customize a model more specifically to your application. Actual performance will vary pending motor/gearing selection.

Paletti trapezoid screw driven, roller-slide actuators are ideal for your material handling and positioning tasks. Easily incorporated into single or multi axis applications. All screw actuators have the classic fixed (double bearing) – float (single bearing) supports, custom bearing supports can be accommodated.

Our 20mm x 4mm trapezoid screw actuators – operate at moderate and easy to control speeds, with precise motion and low torque requirements. The shallow screw thread pitch allows for the motorized brake to be eliminated in some applications.

Some additional product advantages with Paletti trapezoid screw driven slide actuators:

- ◆ Guided motion – all in one unit
- ◆ External to the rail carriage configuration with hardened and ground rollers and rails
- ◆ Lead error held to +/- 75µm / 300mm
- ◆ End of carriage covers with lubrication ports and brushes to help keep the rails clean
- ◆ Single piece carriage and rail construction, with corrosion resistant component options

Since our actuators, aluminum framing, and conveyors all use the same 8mm T-Slot, it is very easy for us to configure and/or build an entire system or machine base.

**We believe in being accessible, so contact us today to learn more!**