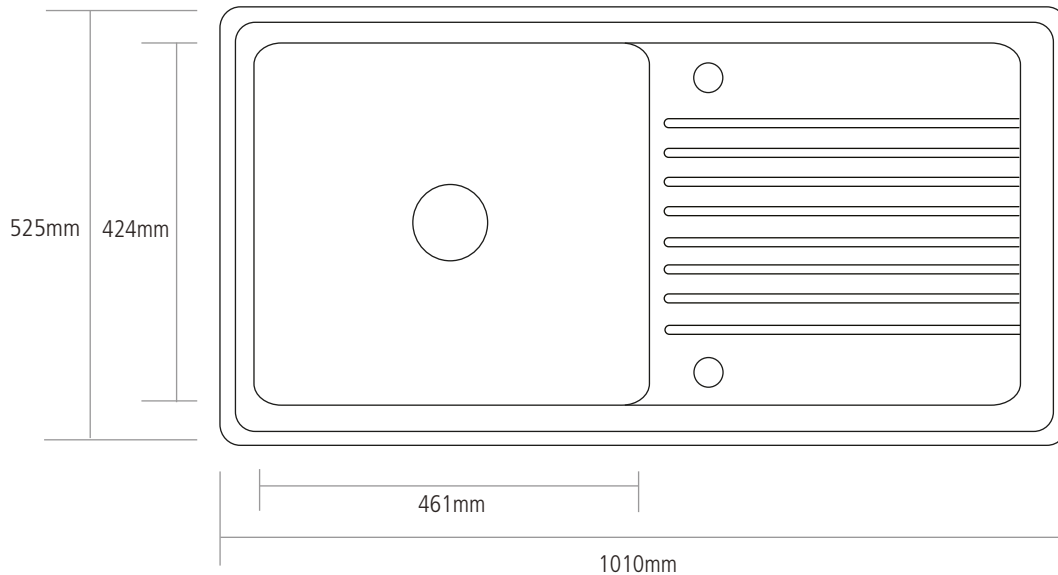


DIMENSIONS



MAIN BOWL DEPTH: 190MM

OVERALL SINK DEPTH: 225MM

MIN. BASE UNIT: 600MM

CUT-OUT SIZE: 980 x 495MM

Carcase may need to be adapted to accommodate tap tails if using a 600mm carcass

NOTE: All sink dimensions may vary by plus-or-minus 2%